

SATU-RE LENS FOR LUXEON REBEL LEDs



- Specially designed for Luxeon Rebel series of LEDs.
- Lens material optical grade PMMA with high UV and temperature resistance (105°C/220°F)
- High optical efficiency, >90%
- No lens holder. Fastening to heat sink with droplets of glue.
- Please check fastening details from this link:
(http://www.ledil.com/datasheets/DataSheet_GLUES.pdf)
- Very compact dimensions
- Diameter 21.8 mm

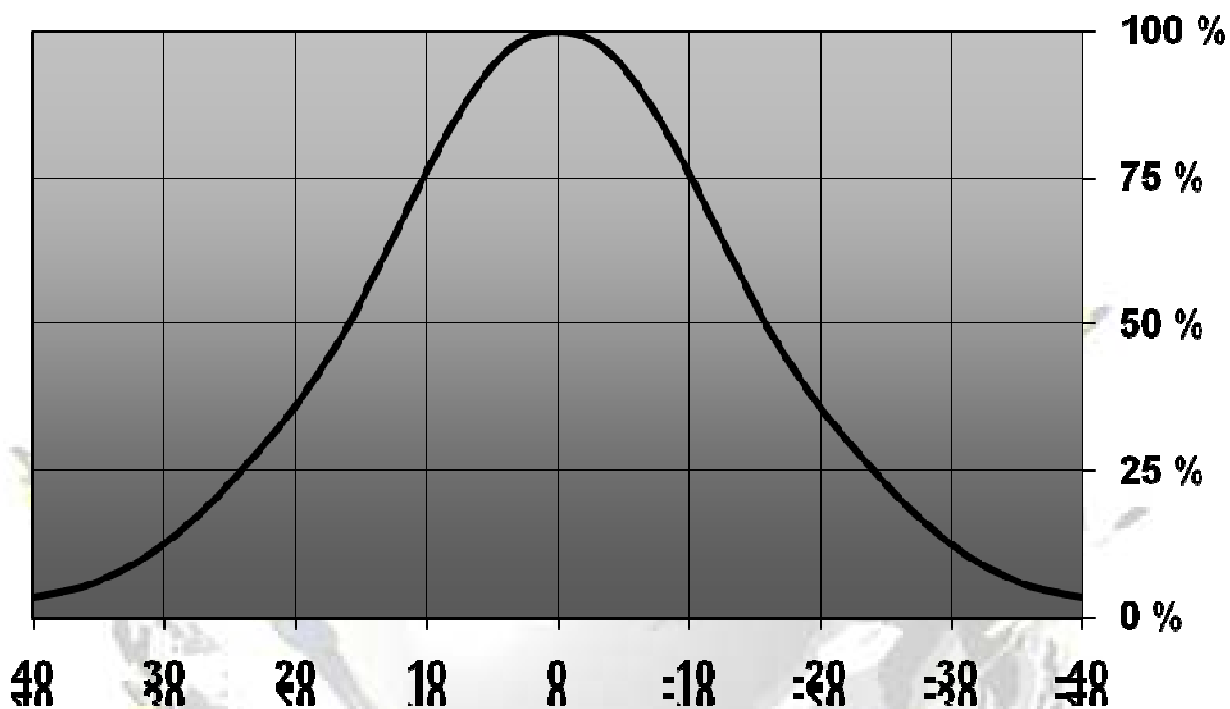
LENS TYPES

NAME	ORDERING CODE	FWHM Angle
SATU spot	C11601_Satu-S-RE	Coming soon
SATU medium	C11602_Satu-M-RE	Coming soon
SATU wide	C11544_Satu-W-RE	±16°

© Ledil Oy – PRELIMINARY - Subject to change without prior notice

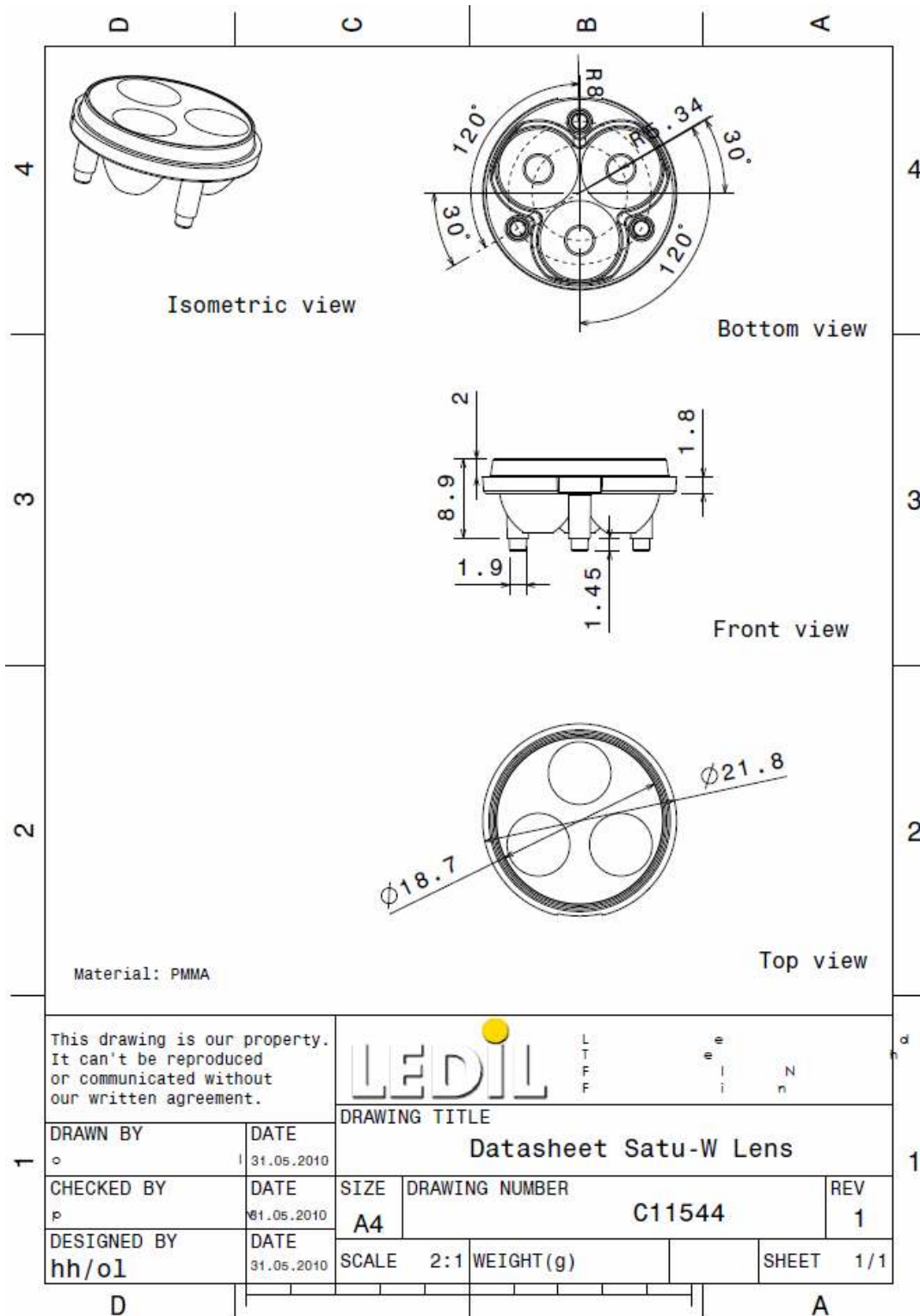
MEASUREMENT DATA & PHOTOGRAPHS

Relative intensity of C11544_Satu-W-RE



© Ledil Oy – PRELIMINARY - Subject to change without prior notice

DRAWINGS



© Ledil Oy – PRELIMINARY - Subject to change without prior notice