

PLATINUM-3 lenses for Osram Dragon



- Especially designed for Osram Golden Dragon Plus LEDs, but works well with Golden & Platinum Dragon too
- Lens material optical grade PMMA with high UV and temperature resistance (105°C/220°F)
- High optical efficiency, >85%
- No lens holder. Fastening to heat sink with droplets of glue. NOTE: legs go into the PCB by 1.2 mm only, do not go thru a normal MCPCB
- Diameter 50 mm (MR16)
- Mechanical CAD models available upon request
- All 3 lens types have the same outer dimensions.

LENS TYPES

NAME	ORDERING CODE	FWHM Angle
PLATINUM-3 spot	C10366_Platinum-3-S	±7°
PLATINUM-3 medium	C10367_Platinum-3-M	±10°
PLATINUM-3 wide	C10365_Platinum-3-W	±23°



PLATINUM-3-S



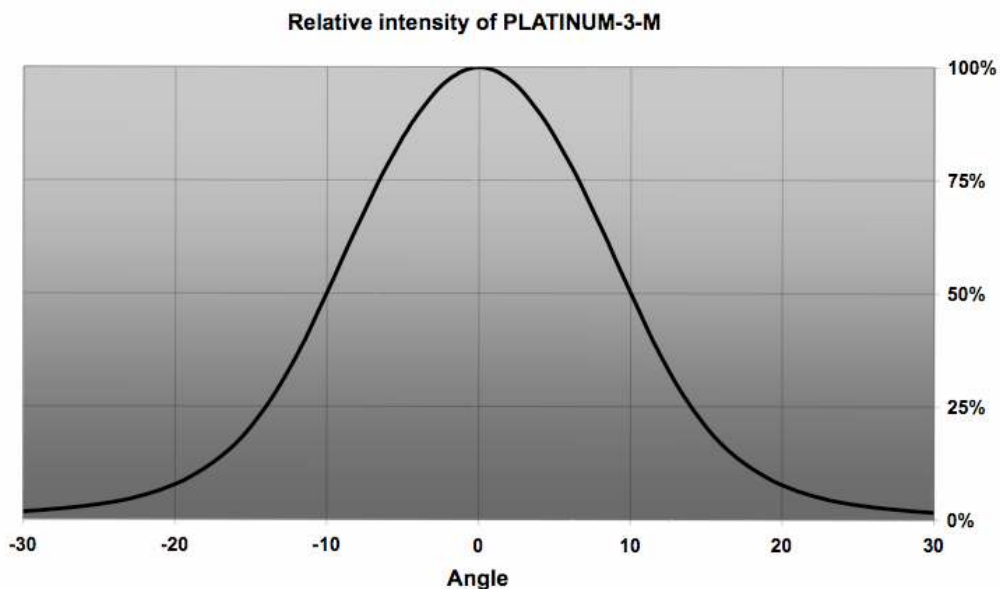
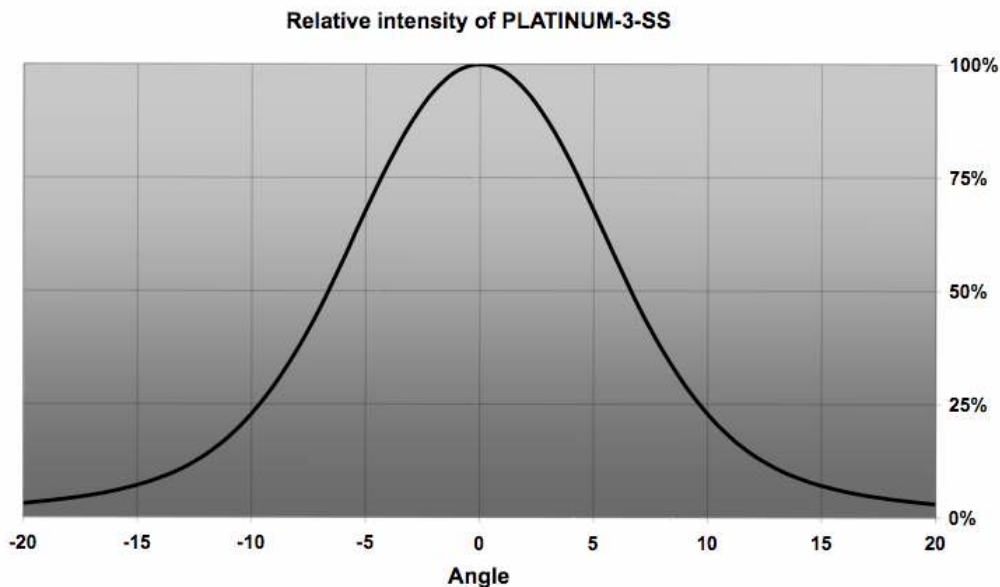
PLATINUM-3-M



PLATINUM-3-W

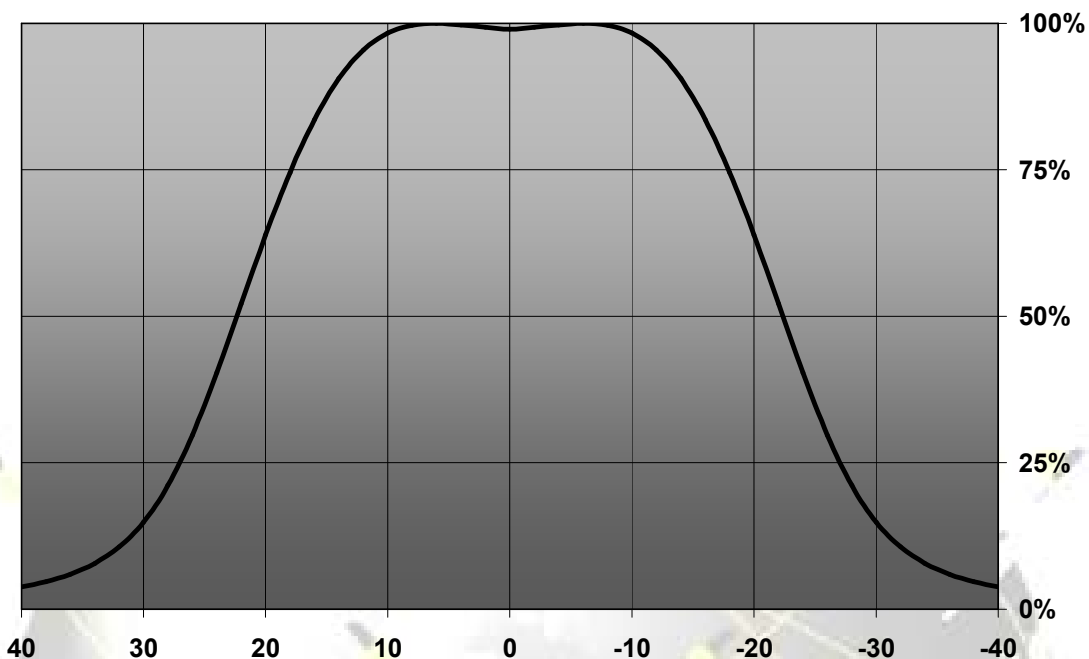
© Ledil Oy – PRELIMINARY - Subject to change without prior notice

MEASUREMENT DATA



© Ledil Oy – PRELIMINARY - Subject to change without prior notice

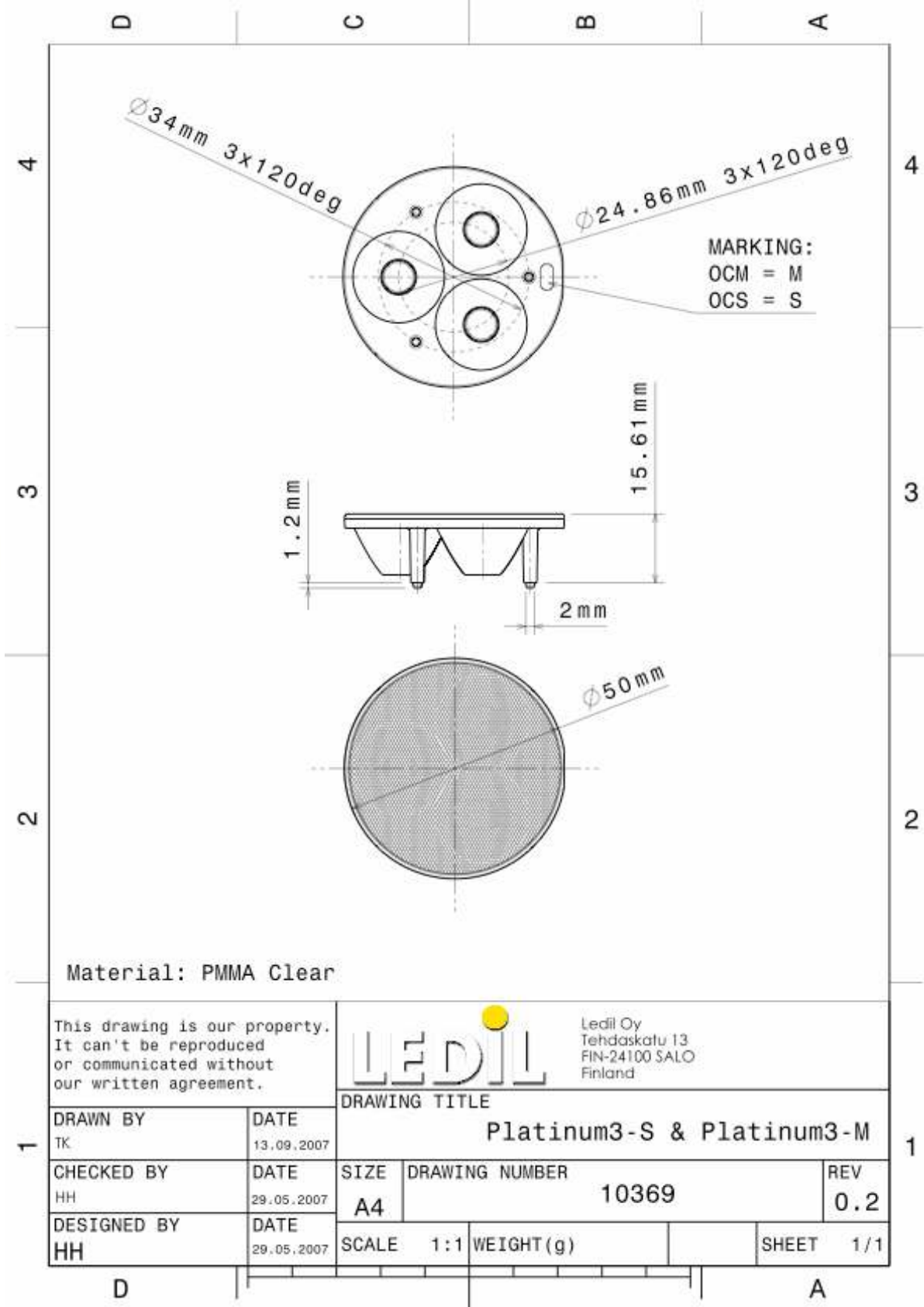
Relative Intensity of C10365_Platinum-3-W



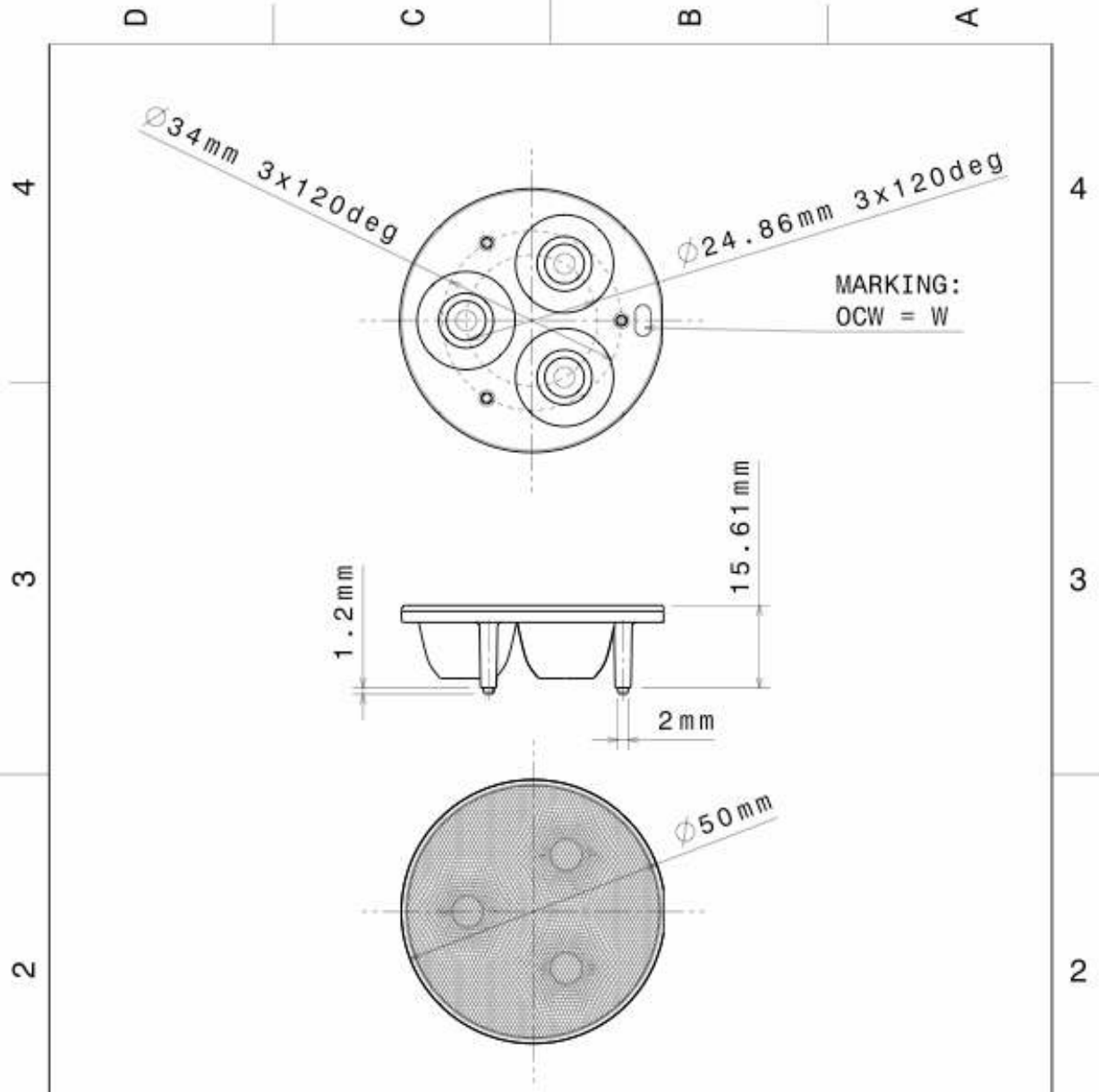
PACKAGING

Lenses are packed in carton boxes of 364 pieces in each box.

DRAWINGS



© Ledil Oy - PRELIMINARY - Subject to change without prior notice



Material: PMMA Clear

This drawing is our property.
It can't be reproduced
or communicated without
our written agreement.



Ledil Oy
Tehdaskatu 13
FIN-24100 SALO
Finland

DRAWING TITLE

Platinum3-W

DRAWN BY TK	DATE 13.09.2007
----------------	--------------------

CHECKED BY HH	DATE 29.05.2007
------------------	--------------------

DESIGNED BY HH	DATE 29.05.2007
-------------------	--------------------

SIZE A4	DRAWING NUMBER 10375	REV 0.2
------------	-------------------------	------------

SCALE 1:1	WEIGHT (g)	SHEET 1/1
--------------	------------	--------------