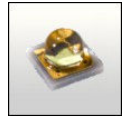


## Tuija-3 lenses for Osram Oslon SSL



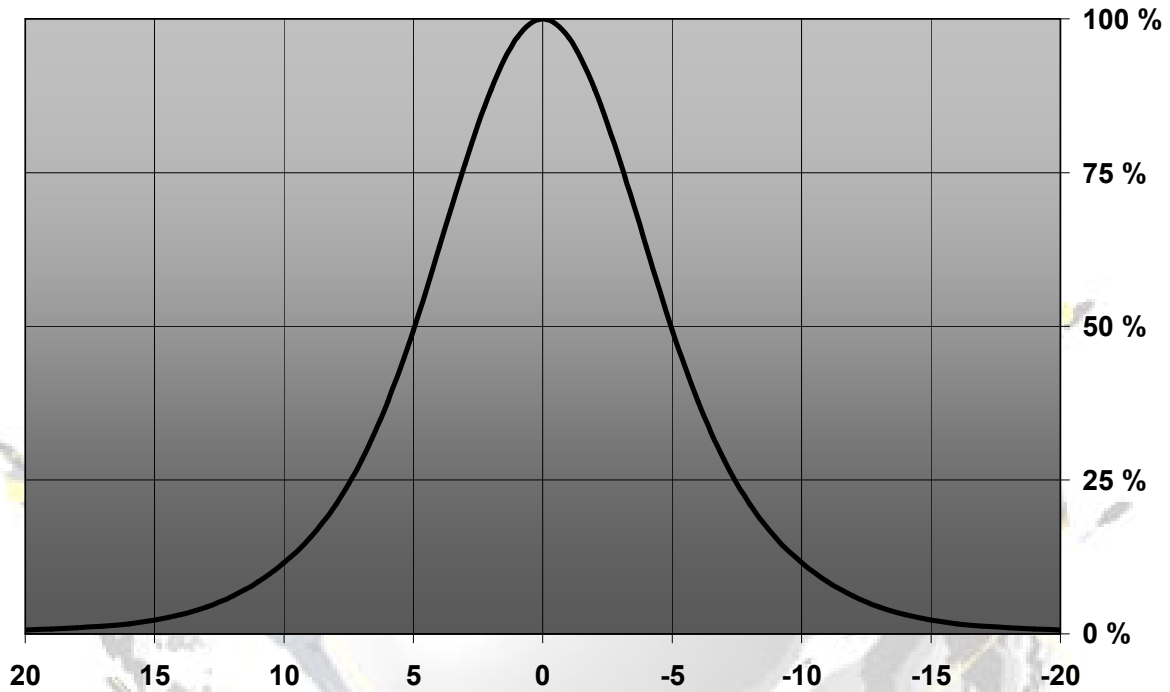
- Designed for Osram Oslon SSL series of LEDs.
- Lens material optical grade PMMA with high UV and temperature resistance (105°C/220°F)
- High optical efficiency, >85%
- No lens holder. Fastening to heat sink with droplets of glue. NOTE: legs go into the PCB by 1.2 mm only, do not go thru a normal MCPCB
- Diameter 50 mm (MR16)
- Mechanical CAD models available upon request
- All 3 lens types have the same outer dimensions.

## LENS TYPES

NAME	ORDERING CODE	FWHM Angle
Tuija-3 spot	C11192_Tuija-3-SS-OSL	±5°
Tuija-3 medium	C11193_Tuija-3-M-OSL	coming soon
Tuija-3 wide	C11191_Tuija-3-W-OSL	coming soon

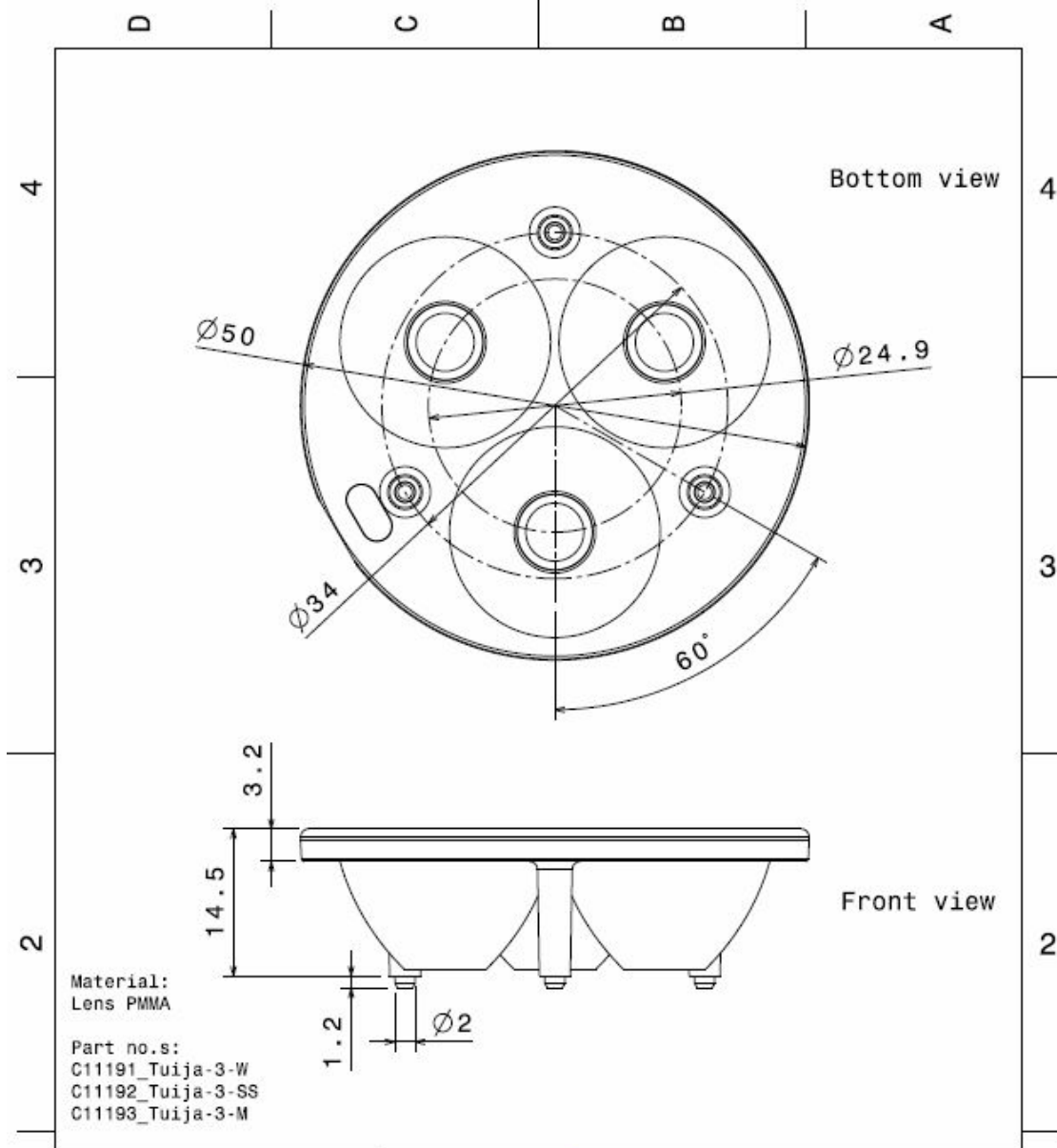
## MEASUREMENT DATA

Relative Intensity of C11192\_Tuija-3-SS-RE



© Ledil Oy – PRELIMINARY - Subject to change without prior notice

## DRAWINGS



This drawing is our property. It can't be reproduced or communicated without our written agreement.				Ledil Oy Tehdaskatu 13 FIN-24100 SALO Finland	
DRAWING TITLE		Datashet Tuija-3 lens			
DRAWN BY pv	DATE 12.10.2009	SIZE A4		DRAWING NUMBER C11191-193	REV 1
CHECKED BY lk	DATE 09.10.2009	SCALE 2:1		WEIGHT (g)	SHEET 1/1
DESIGNED BY HH	DATE 29.05.2007				

© Ledil Oy – PRELIMINARY - Subject to change without prior notice