

**STRADA-T-DW-OSL LENSES FOR OSRAM OSLOM
LEDs**


- Specially designed for Osram Osloom series of LEDs.
- New extremely wide SIDE-EMITTING design with very and uniform light distribution. Planned to be used mixed with Strada-T-DN lenses for optimal streetlight patterns.
- ASYMMETRICAL design with excellent usable efficiency and beam control.
- Efficiently and easily fulfilling different requirements for urban and road lighting when used together with Strada-T-DN.
- Comes with integrated positioning pins.
- Lens material optical grade PMMA. Allows use of high current and temperature conditions
- Best available optical efficiency, approximately 92%.
- Fastening to heat sink with or without PU foam adhesive tape of automotive grade, please select which suits the best for your needs.

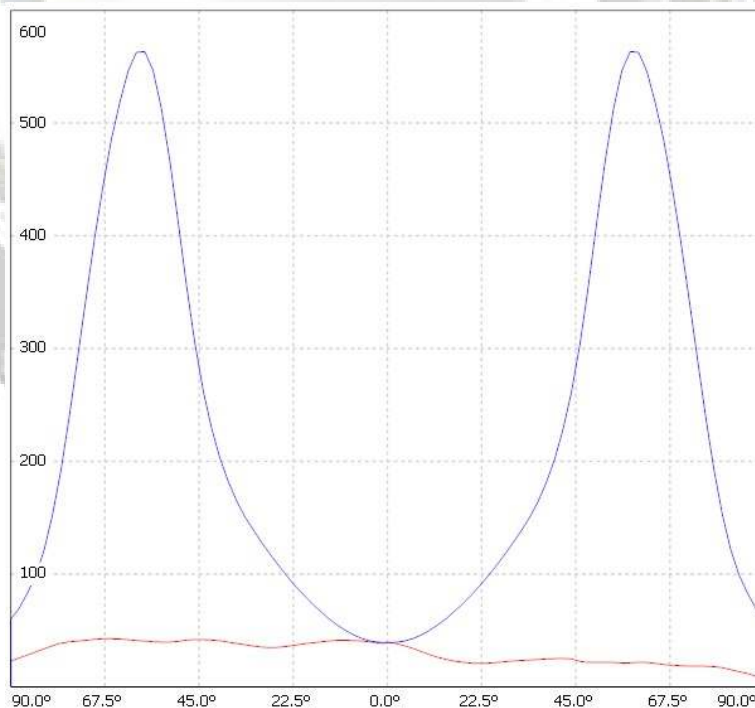
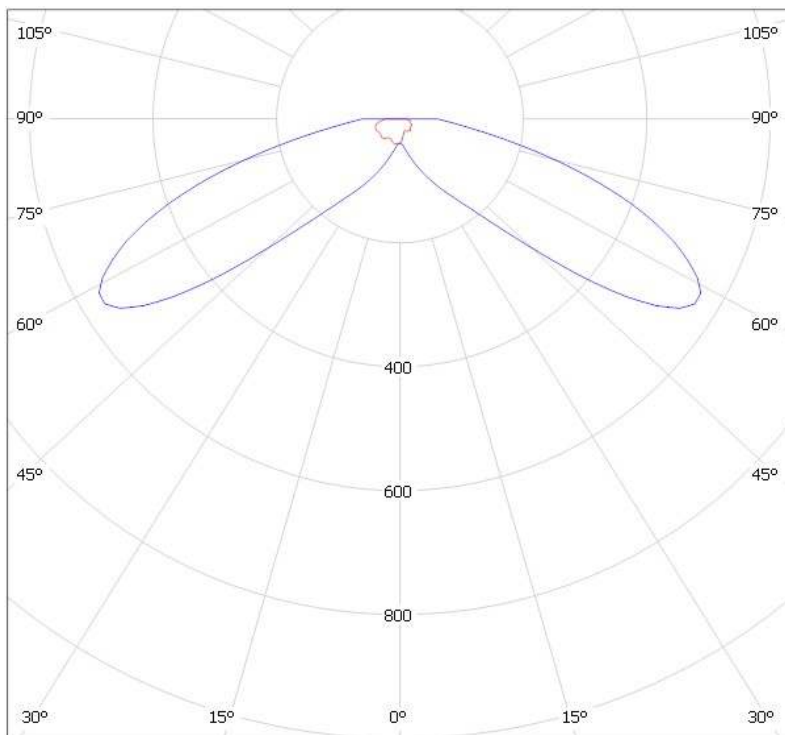
LENS TYPES

NAME	ORDERING CODE	FWHM Angle
Strada-T-DW-OSL	C11425_Strada-T-DW-OSL	approx. $\pm 73^\circ$
Strada-T-DW-OSL-TAPE	CA11426_Strada-T-DW-OSL -tape	approx. $\pm 73^\circ$

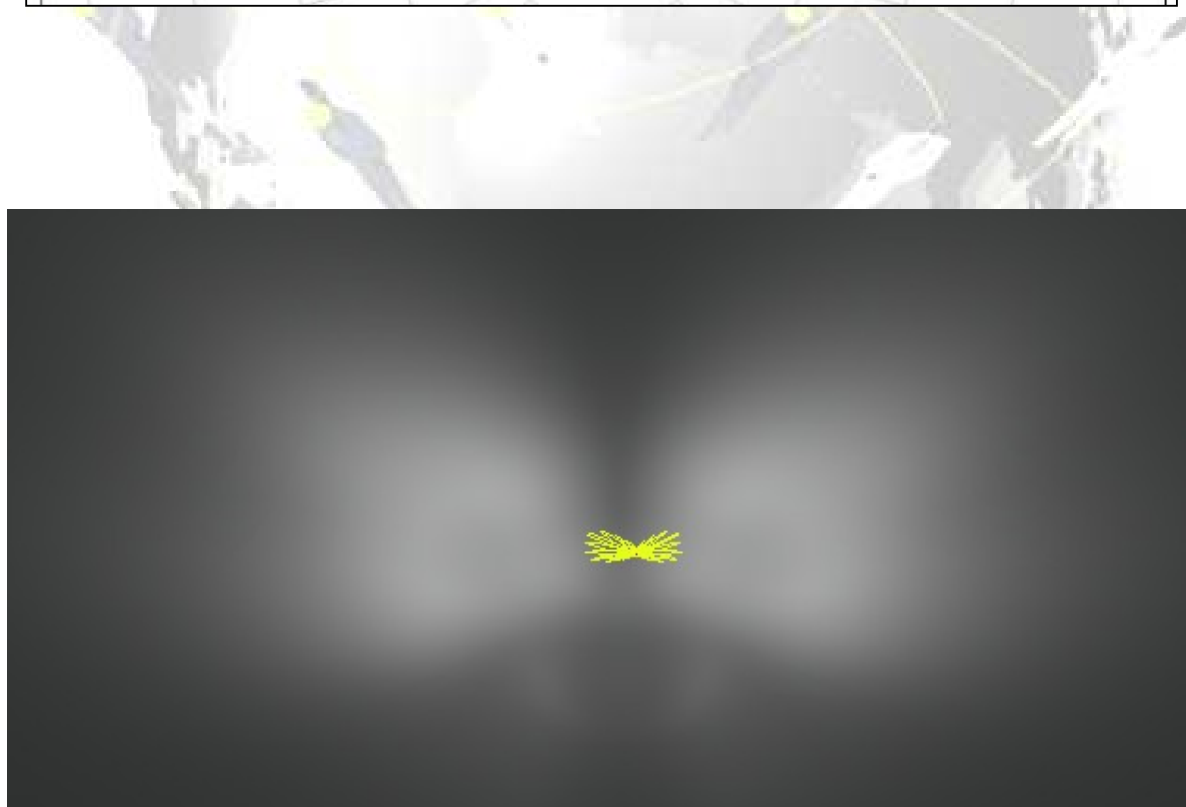
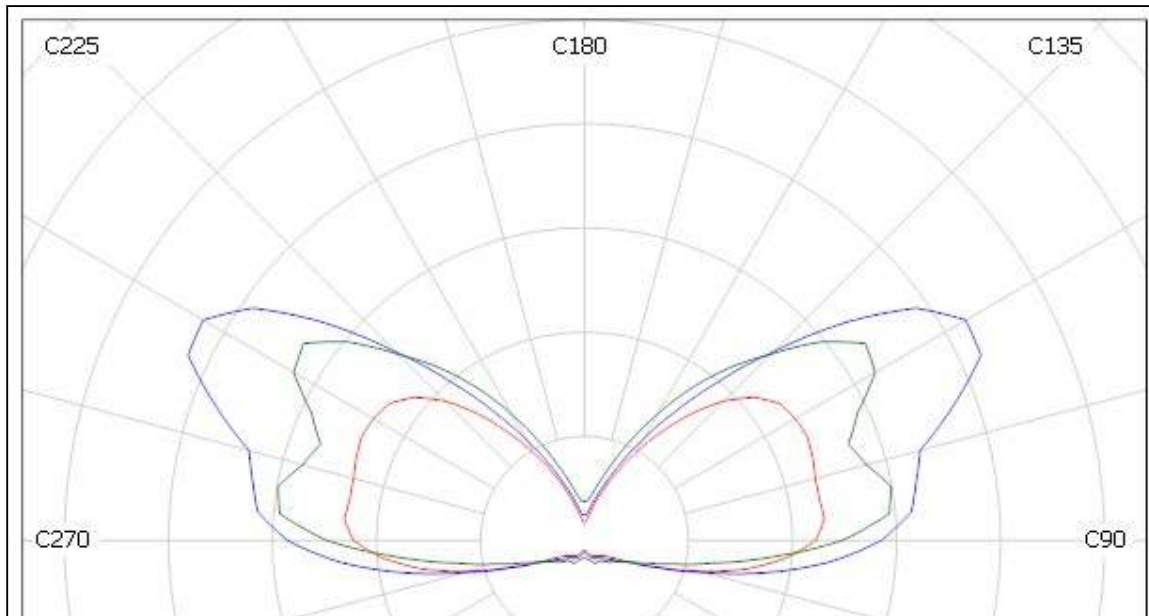
Eulumdat & IES files available by request.

© Ledil Oy – PRELIMINARY - Subject to change without prior notice

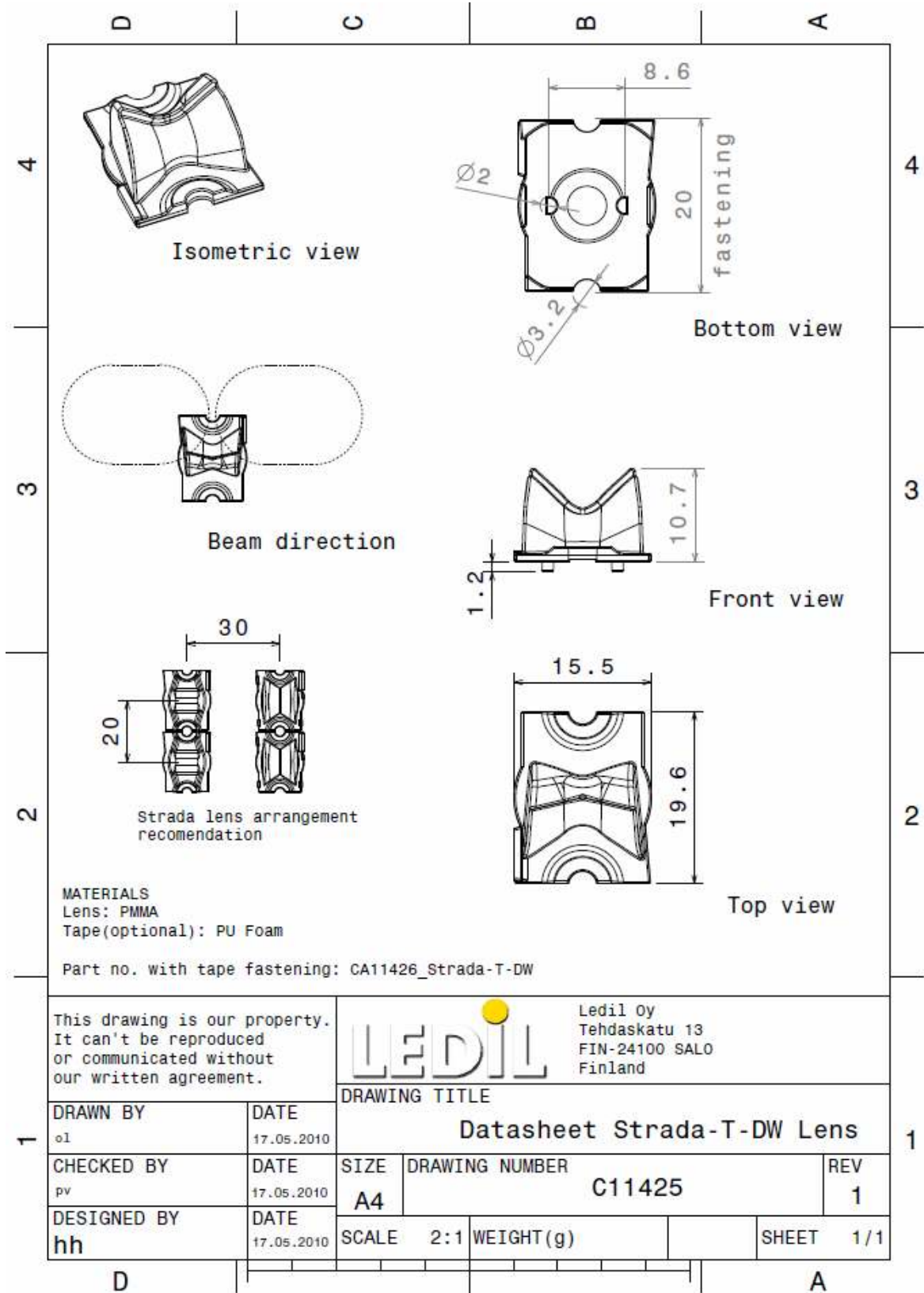
MEASUREMENT DATA & DRAWING



© Ledil Oy – PRELIMINARY - Subject to change without prior notice



© Ledil Oy – PRELIMINARY - Subject to change without prior notice



This drawing is our property. It can't be reproduced or communicated without our written agreement.



Ledil Oy
 Tehdaskatu 13
 FIN-24100 SALO
 Finland

DRAWN BY o1		DATE 17.05.2010		DRAWING TITLE Datasheet Strada-T-DW Lens			
CHECKED BY pv		DATE 17.05.2010		SIZE A4	DRAWING NUMBER C11425		REV 1
DESIGNED BY hh		DATE 17.05.2010		SCALE 2:1	WEIGHT(g)	SHEET 1/1	

© Ledil Oy - PRELIMINARY - Subject to change without prior notice