

## STRADA-S-OSL LENSES FOR OSRAM OSOLON SSL LEDs

**OSRAM**  
www.osram.com



- Specially designed for Osram Osolon SSL series of LEDs.
- New extremely wide SIDE-EMITTING design.
- Comes with integrated positioning pins.
- Lens material optical grade PMMA. Allows use of high current and temperature conditions
- Best available optical efficiency, approximately 92%.
- Fastening to heat sink with or without PU foam adhesive tape of automotive grade, please select which suits the best for your needs.

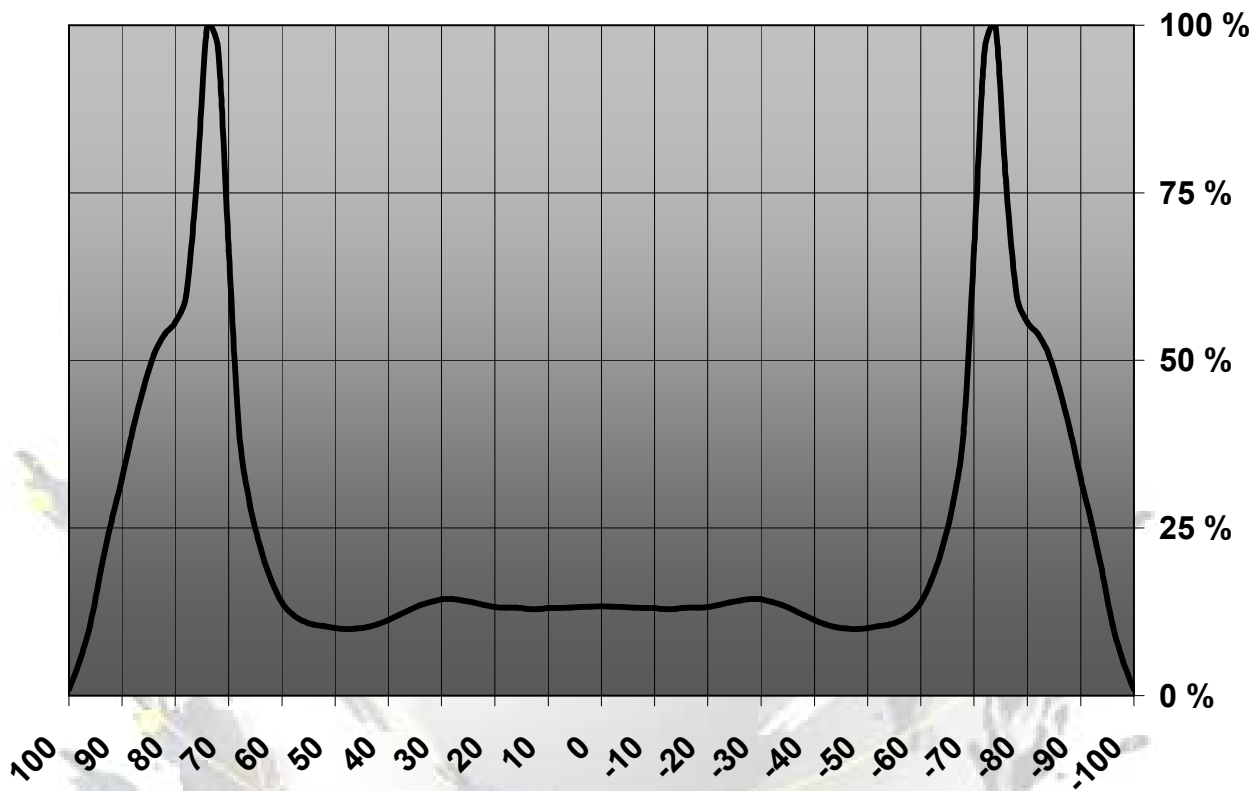
## LENS TYPES

NAME	ORDERING CODE	FWHM Angle
Strada-S-OSL	C11249_Strada-S-OSL	±69° & ±84°
Strada-S-OSL-TAPE	CA11248_Strada-S-OSL-tape	±69° & ±84°

© Ledil Oy – PRELIMINARY - Subject to change without prior notice

## MEASUREMENT DATA & DRAWING

Relative Intensity of C11249\_Strada-S-OSL



© Ledil Oy – PRELIMINARY - Subject to change without prior notice



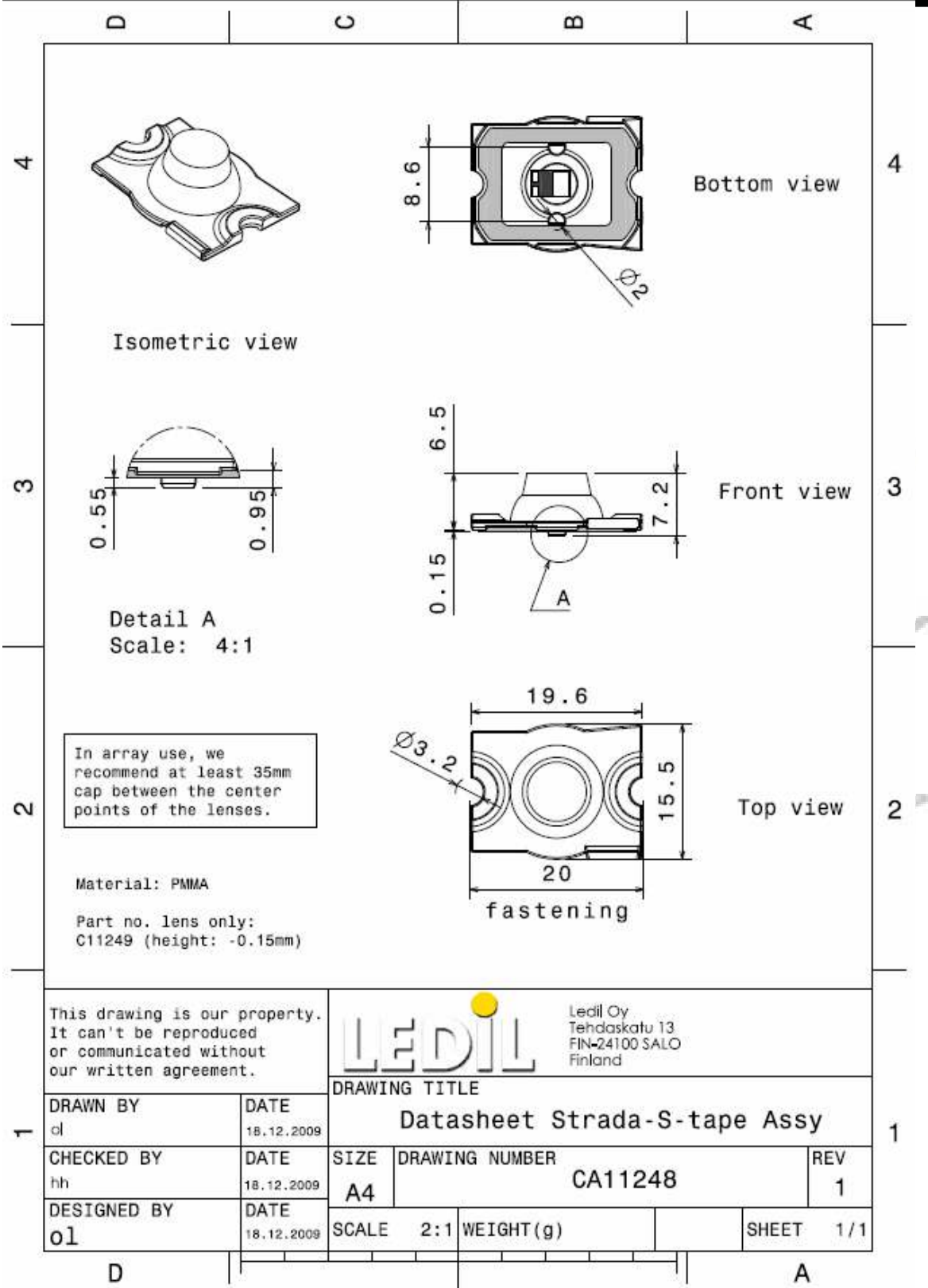
---

© Ledil Oy – PRELIMINARY - Subject to change without prior notice

Ledil Oy  
Tehdaskatu 13  
FIN-24100 SALO, Finland

[www.ledil.com](http://www.ledil.com)  
email: [ledil@ledil.com](mailto:ledil@ledil.com)  
FAX: +358-2-733 8001

2010-03-18



© Ledil Oy – PRELIMINARY - Subject to change without prior notice