

Strada-C2-OSL lenses for Osram Oslon SSL series of LEDs



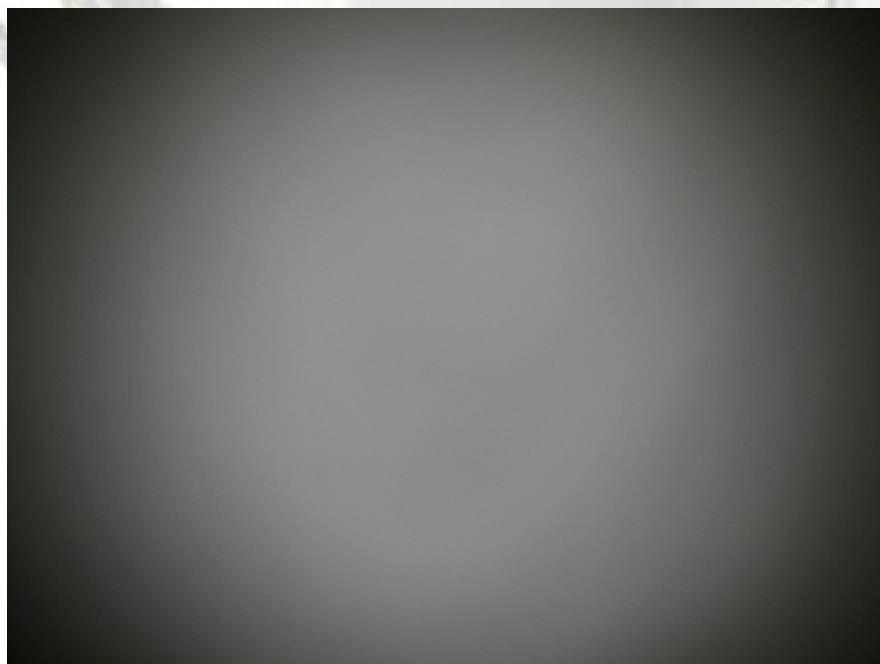
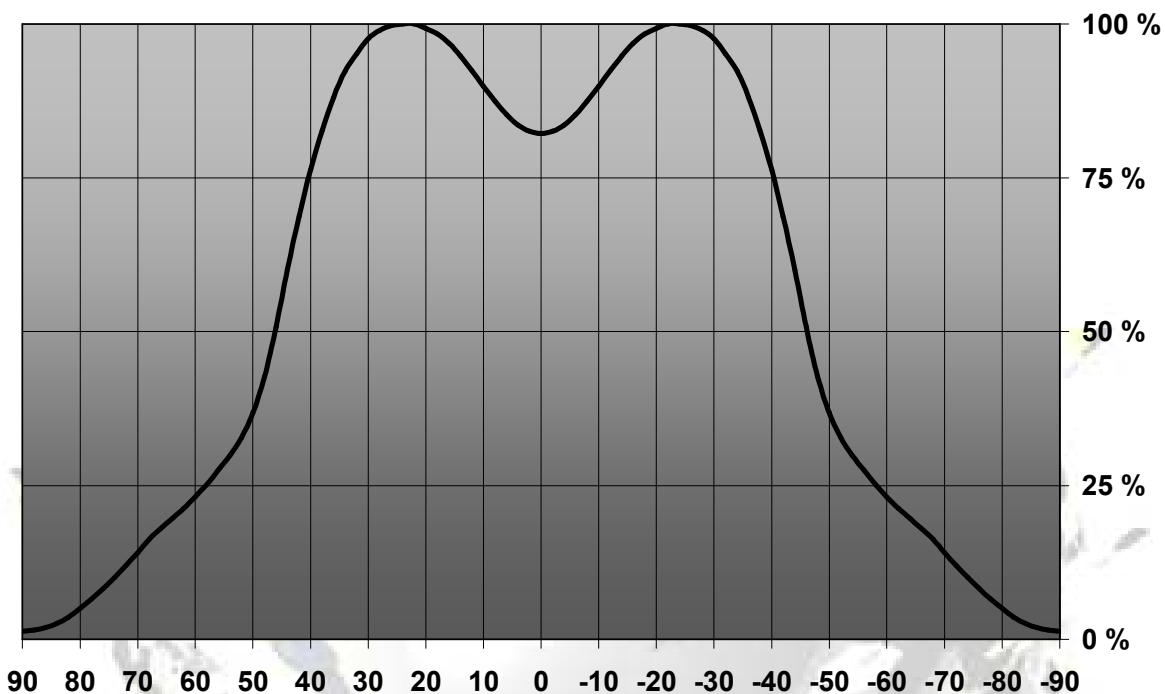
- Specially designed for Osram Oslon series of LEDs.
- New extremely wide BATWING design with very and uniform light distribution.
- Comes with integrated positioning pins.
- Lens material optical grade PMMA. Allows use of high current and temperature conditions
- Best available optical efficiency, approximately 92%.
- Fastening to heat sink with or without PU foam adhesive tape of automotive grade, please select which suits the best for your needs.

LENS TYPES

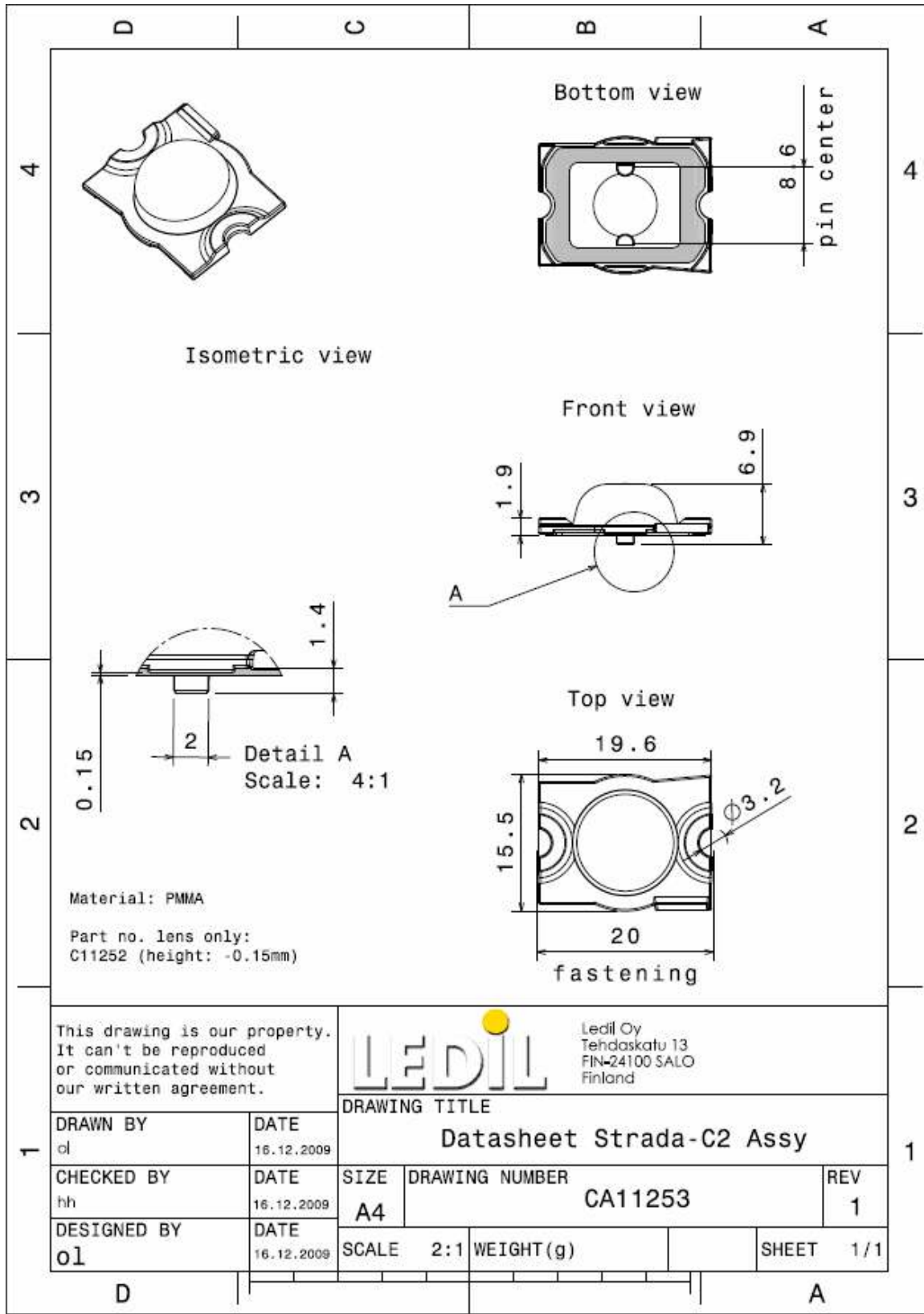
NAME	ORDERING CODE	FWHM Angle
Strada-C2-OSL	C11252_Strada-C2-OSL	±46°
Strada-C2-OSL-TAPE	CA11253_Strada-C2-OSL-tape	±46°

MEASUREMENT DATA & DRAWING

Relative Intensity of C11252_Strada-C2-OSL



© Ledil Oy – PRELIMINARY - Subject to change without prior notice



© Ledit Oy - PRELIMINARY - Subject to change without prior notice