

## GT3-OSL lenses for Osram Oslon SSL series of LEDs



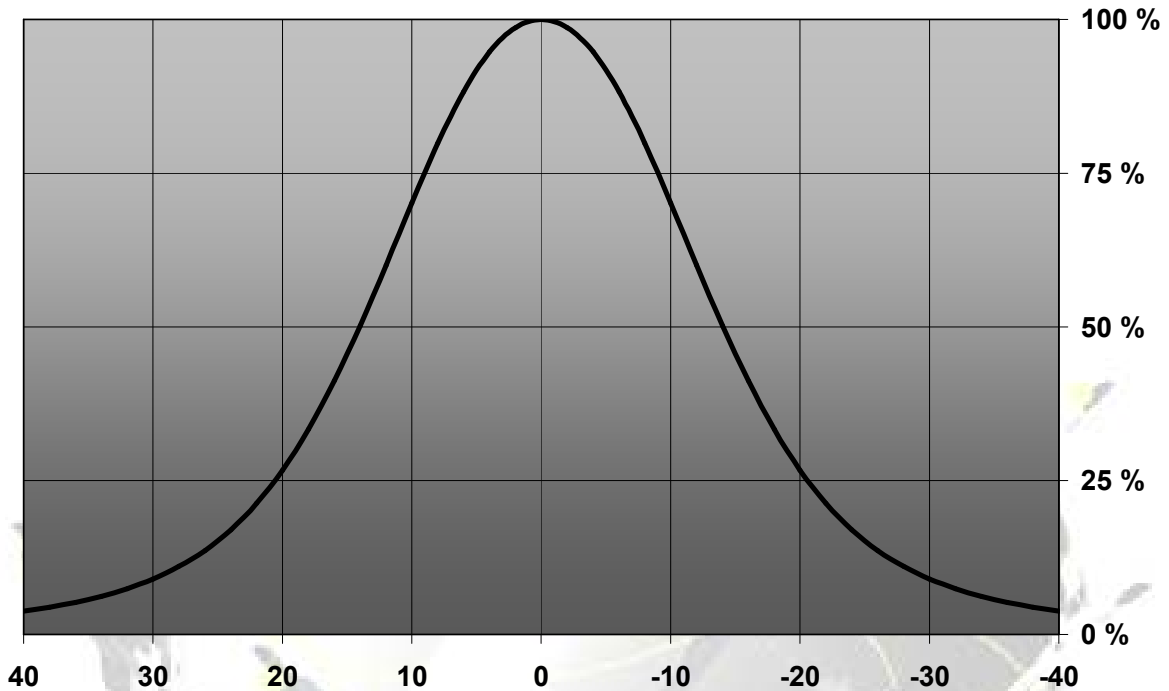
- Specially designed for Osram Oslon SSL series of LEDs.
- Special care taken to make a uniform white or warm white illumination. Lenses work well with other colors, too.
- Lens material optical grade PMMA. Allows use of high current and temperature conditions
- Best available optical efficiency, up to 90%.

### LENS TYPES

NAME	ORDERING CODE	FWHM
GT3-OSL Spot	C10891_GT3-OSL-S	±N/A°
GT3-OSL Medium	C10892_GT3-OSL-M	±14°
GT3-OSL Wide	C10893_GT3-OSL-W	±N/A°

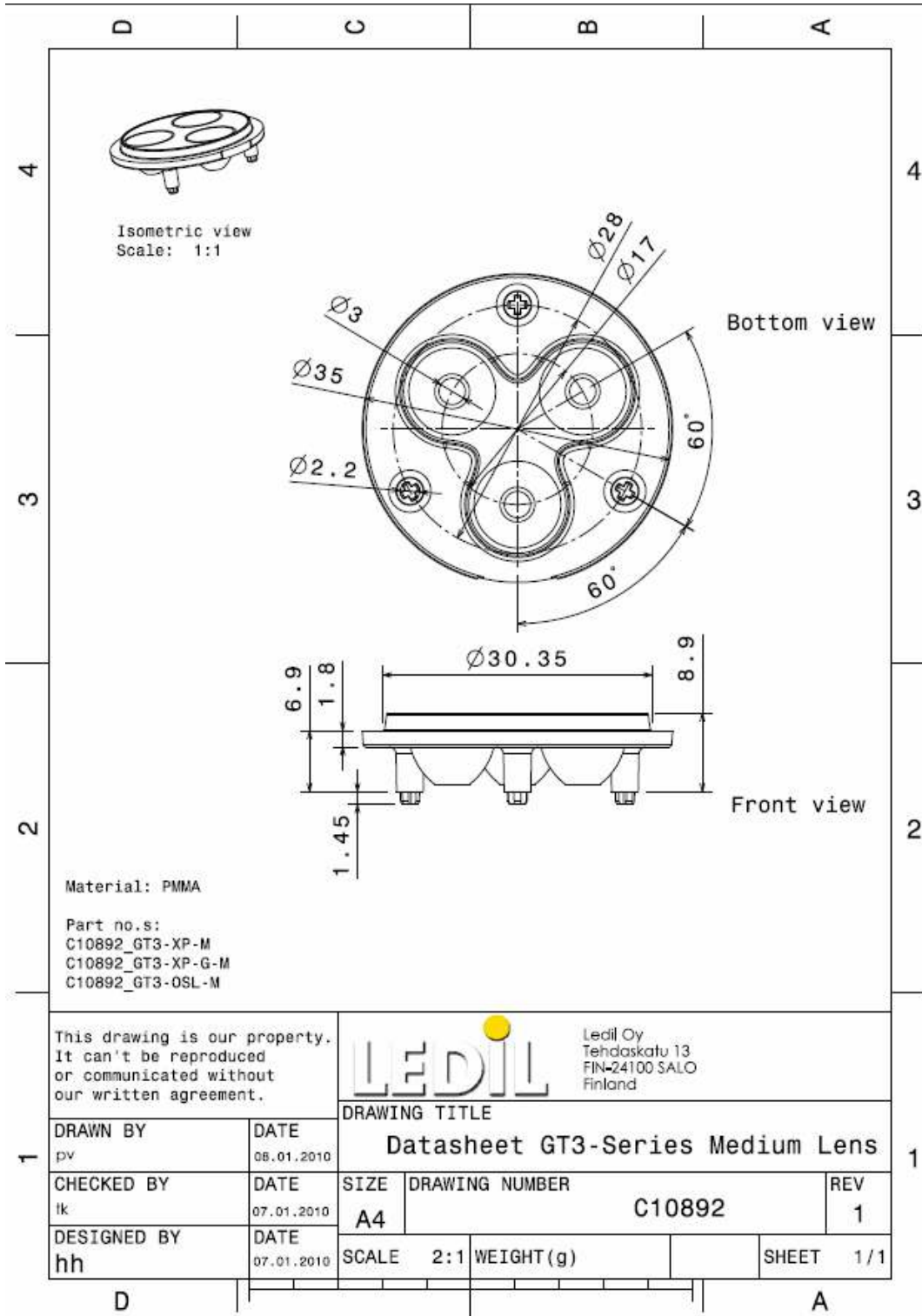
## MEASUREMENT DATA

Relative Intensity of C10892\_GT3-OSL-M



© Ledil Oy – PRELIMINARY - Subject to change without prior notice

## DRAWINGS



© Ledil Oy - PRELIMINARY - Subject to change without prior notice