

## Strada-C2-N119 lenses for Nichia 119 series of LEDs



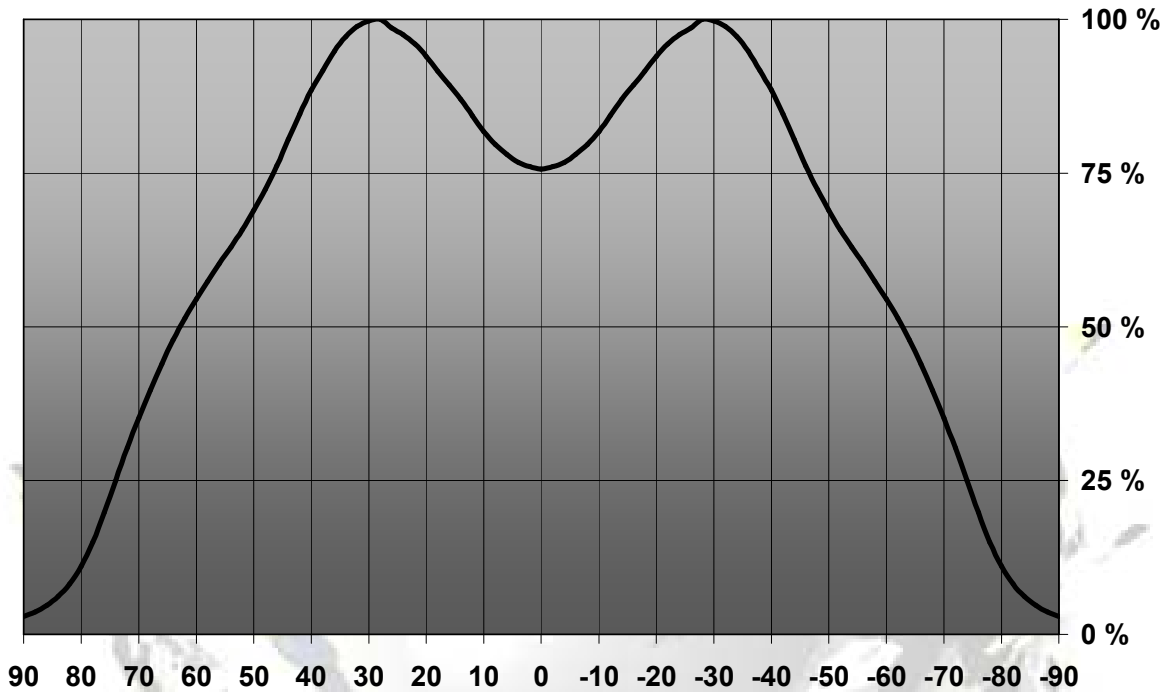
- Specially designed for Nichia 119 series of LEDs.
- New extremely wide BATWING design with very and uniform light distribution.
- Comes with integrated positioning pins.
- Lens material optical grade PMMA. Allows use of high current and temperature conditions
- Best available optical efficiency, approximately 92%.
- Fastening to heat sink with or without PU foam adhesive tape of automotive grade, please select which suits the best for your needs.

## LENS TYPES

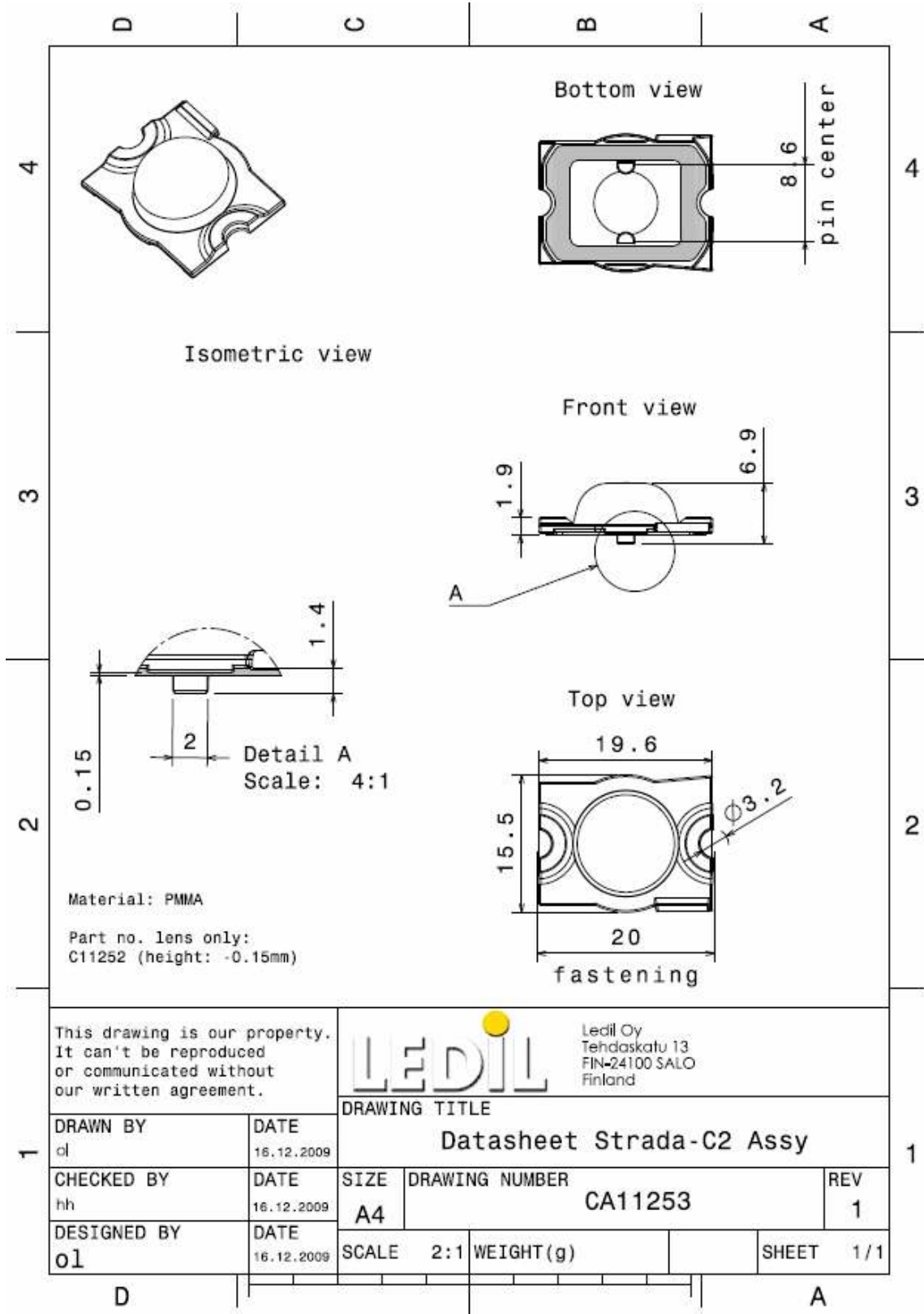
NAME	ORDERING CODE	FWHM Angle
Strada-C2-N119	C11252_Strada-C2-N119	±62°
Strada-C2-N119-TAPE	CA11253_Strada-C2-N119-tape	±62°

## MEASUREMENT DATA & DRAWING

Relative Intensity of C11252\_Strada-C2-N119



© Ledil Oy – PRELIMINARY - Subject to change without prior notice



© Ledil Oy - PRELIMINARY - Subject to change without prior notice