

## STRADA-B2-N119 LENS FOR NICHIA N119 series of LEDs



C10949\_Strada-B2-N119

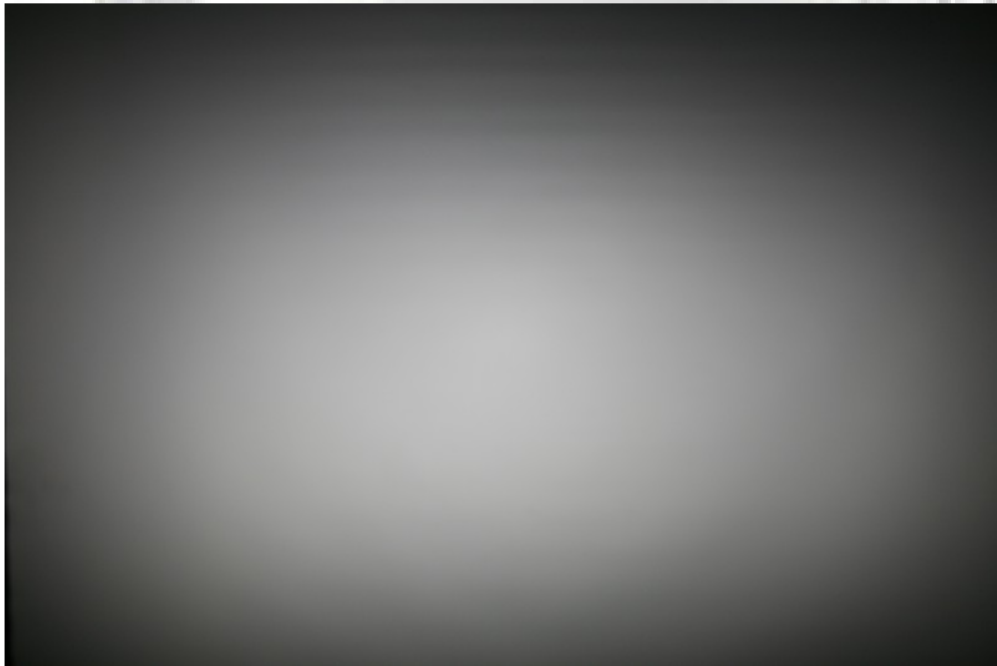
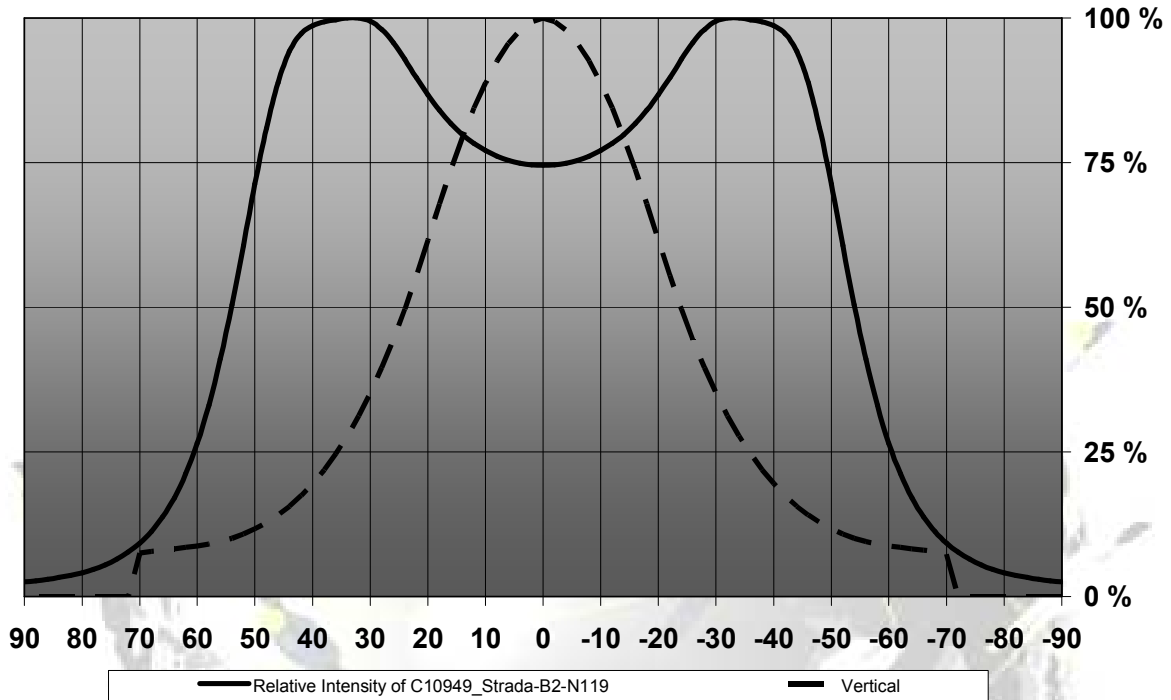
- Specially designed for NICHIA N119 series of LEDs.
- New extremely wide street light design with very wide horizontal and vertical angle.
- Special care taken to make a uniform white or warm white illumination. Lenses work well with other colors, too.
- Lens material optical grade PMMA. Allows use of high current and temperature conditions
- Best available optical efficiency, approximately 96%.
- Fastening to heat sink with screws or PU foam adhesive tape of automotive grade
- please select which suits the best for your needs.
- Lens has two position pins which automatically sets the lens to correct position.

### LENS TYPES

NAME	ORDERING CODE	FWHM Angle
Strada-B2-N119	C10949_Strada-B2-N119	±54° x ±24°
Strada-B2-N119-tape	CA10950_Strada-B2-N119-tape	±54° x ±24°

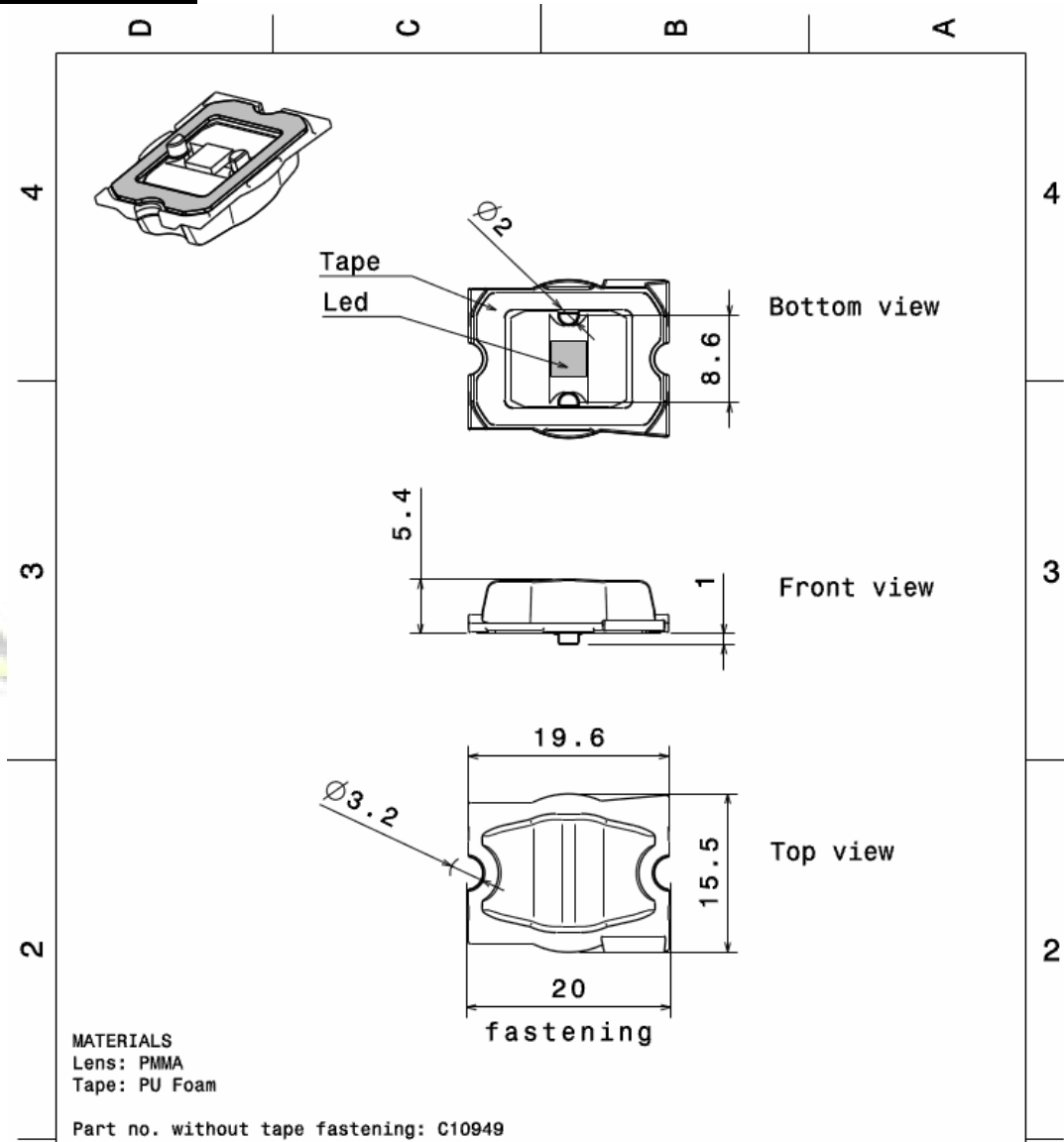
## MEASUREMENT DATA

Relative Intensity of C10949\_Strada-B2-N119



© Ledil Oy – PRELIMINARY - Subject to change without prior notice

## DRAWINGS



This drawing is our property.  
 It can't be reproduced  
 or communicated without  
 our written agreement.



Ledil Oy  
 Tehdaskatu 13  
 FIN-24100 SALO  
 Finland

DRAWING TITLE

Datasheet Strada-B2

DRAWN BY  
pv

DATE  
13.08.2009

CHECKED BY  
tk

DATE  
12.06.2009

SIZE  
A4

DRAWING NUMBER

CA10950

REV  
0.1

DESIGNED BY  
hh

DATE  
12.06.2009

SCALE 2:1

WEIGHT(g)

SHEET 1/1

EULUMDAT & IES FILES AVAILABLE BY REQUEST