

NIS83-4 quad lenses for Nichia 183 / 083 LEDs



- Designed for Nichia 183 / 083 LEDs.
- Lens material optical grade PMMA with high UV and temperature resistance (105°C/220°F)
- High optical efficiency, >85%
- No lens holder. Fastening to heat sink with droplets of glue. NOTE: legs go into the PCB by 1.2 mm only, do not go thru a normal MCPCB
- Diameter 50 mm (MR16)
- All 3 lens types have the same outer dimensions
- Mechanical CAD models available upon request

LENS TYPES

NAME	ORDERING CODE	FWHM Angle
NIS83-4 spot	C10385_NIS83-4-SS	±6°
NIS83-4 medium	C10386_NIS83-4-M	±10°
NIS83-4 wide	C10387_NIS83-4-W	±21°



NIS83-4-S



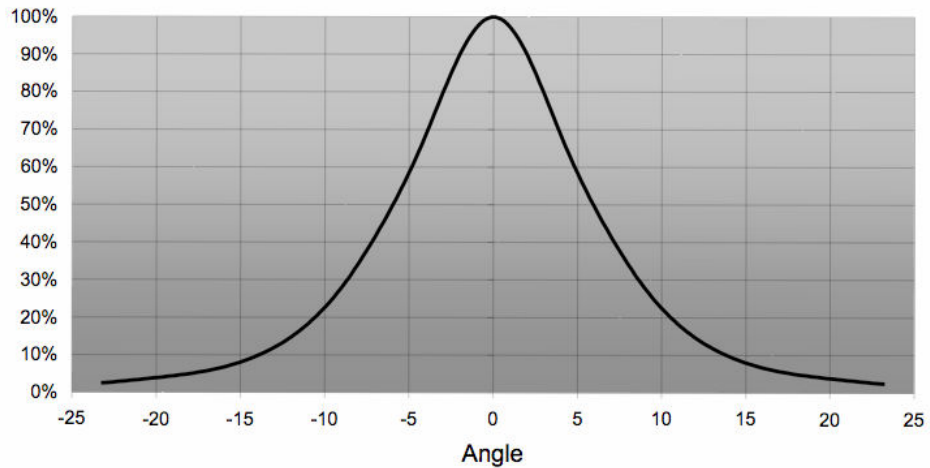
NIS83-4-M



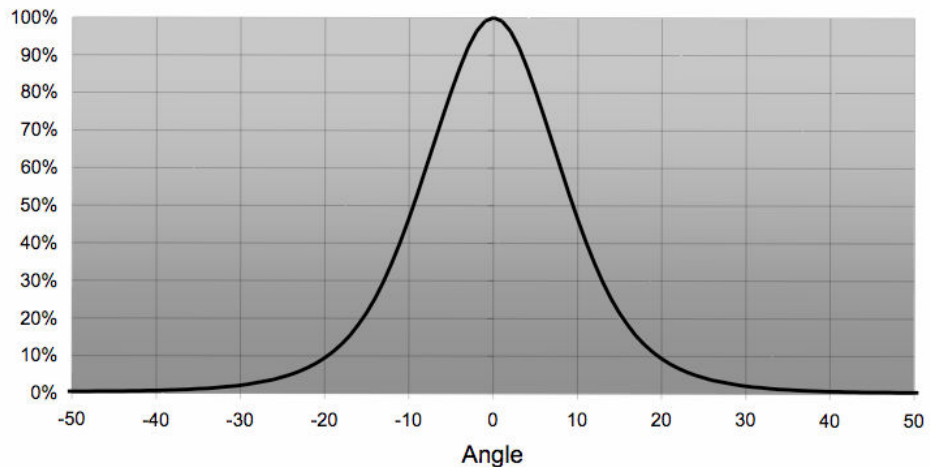
NIS83-4-W

MEASUREMENT DATA

Relative intensity of NIS083-4-S

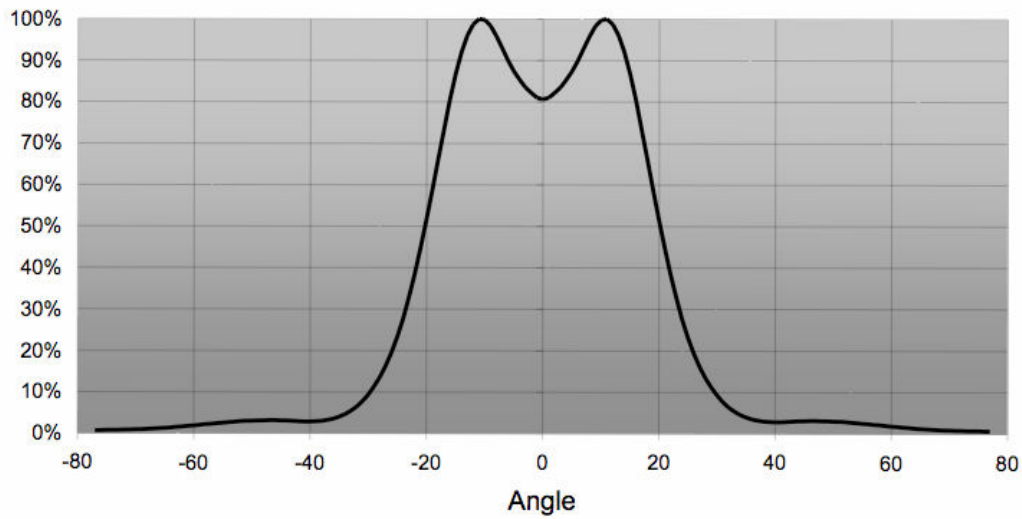


Relative intensity of NIS083-4-M



© Ledil Oy – PRELIMINARY - Subject to change without prior notice

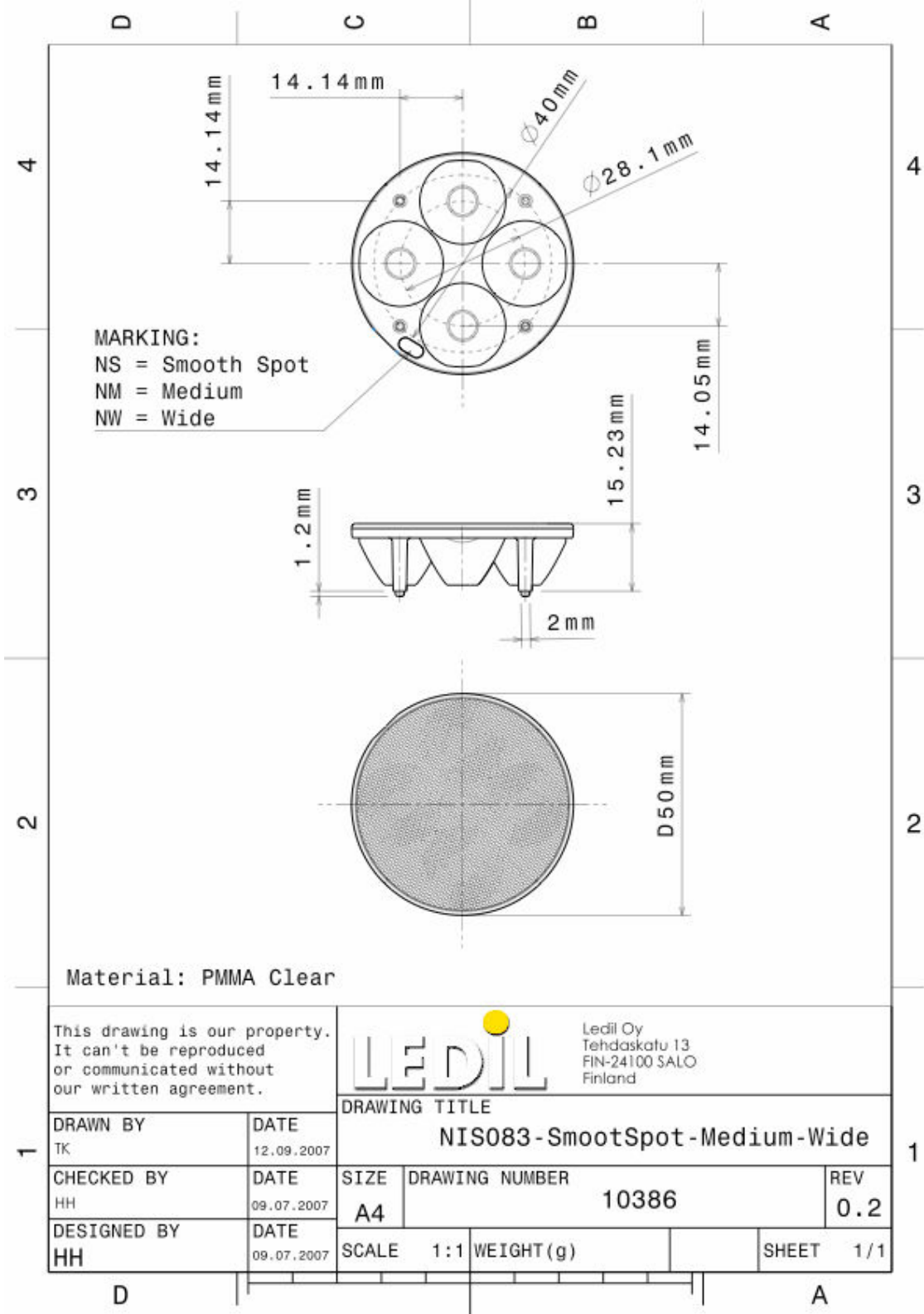
Relative intensity of NIS083-4-W



PACKAGING

Lenses are packed in carton boxes of 264 pieces in each box.

DRAWINGS



© Ledil Oy – PRELIMINARY - Subject to change without prior notice