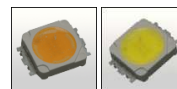


## NIS83-3 lenses for Nichia 183/083 LEDs



- Designed for Nichia 183/083 LEDs.
- Lens material optical grade PMMA with high UV and temperature resistance (105°C/220°F)
- High optical efficiency, >85%
- No lens holder. Fastening to heat sink with droplets of glue or by heat staking of legs
- Diameter 50 mm (MR16)
- Mechanical CAD models available upon request
- Both lens types have the same outer dimensions.

## LENS TYPES

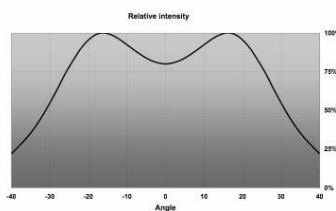
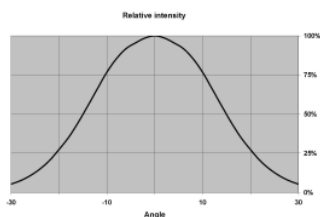
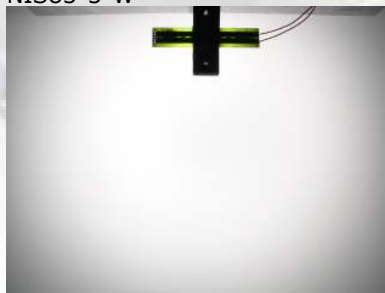
| NAME           | ORDERING CODE    | FWHM Angle |
|----------------|------------------|------------|
| NIS83-3 medium | C10436_NIS83-3-M | ±14°       |
| NIS83-3 wide   | C10364_NIS83-3-W | ±30°       |

## MEASUREMENT DATA & PHOTOGRAPHS

NIS83-3-M

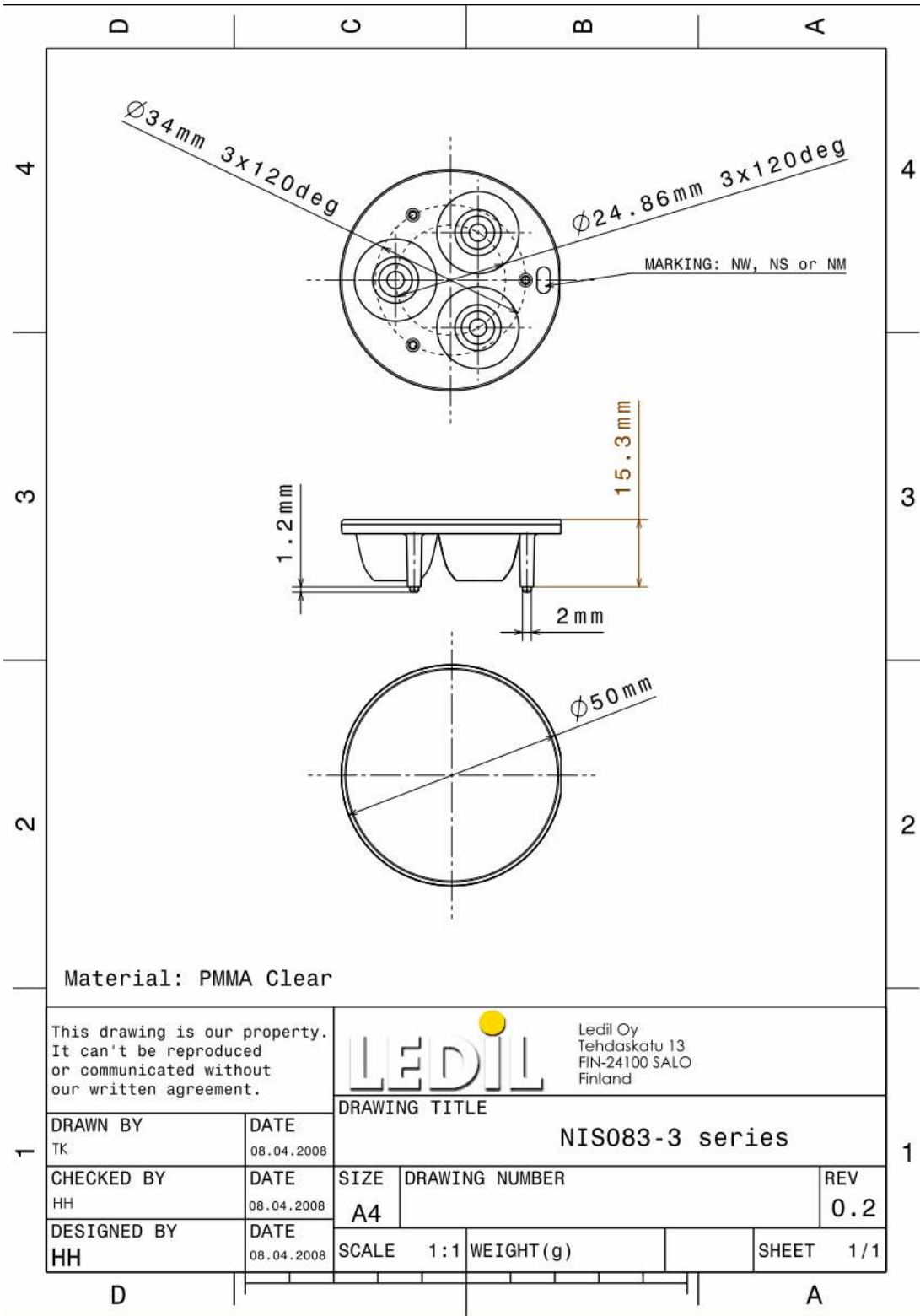


NIS83-3-W

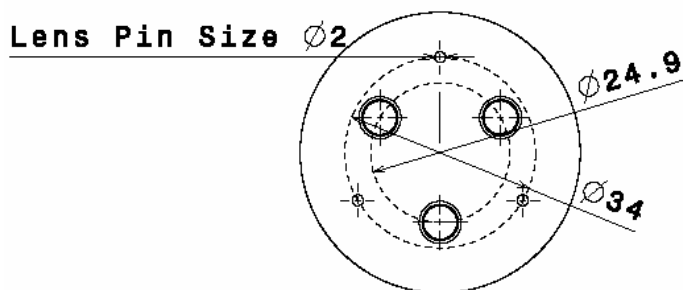


© Ledil Oy – PRELIMINARY - Subject to change without prior notice

## DRAWINGS



© Ledil Oy - PRELIMINARY - Subject to change without prior notice

**PCB LAYOUT**

NOTE:  $120^\circ$  between each 2 lenses and each 2 lens pins

**PACKAGING**

Lenses are packed in carton boxes of 384 pieces.