

NIS033U SQUARE lenses for Nichia i-LED



- Specially designed for Nichia NCCU033A series of UV LEDs, with special care taken to make a uniform, smooth beam
- Special polymer used as the lens material, to guarantee a high transmission and a long-term stability in spite of high UV exposure @365 nm from the i-LED
- Best available optical efficiency, up to 90%
- Integrated holder. Fastening to heat sink with a PU foam adhesive tape of automotive grade
- Compact dimensions 21.6 x 21.6 mm. Square form enables easy build of matrix without any gaps between lenses.

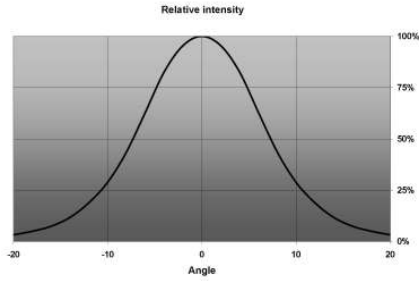
LENS TYPES

NAME	ORDERING CODE	FWHM Angle
NIS033U REAL SPOT	FA10857_NIS033U-RS	±N/A°
NIS033U SMOOTH SPOT	FA10911_NIS033U-SS	±5°
NIS033U MEDIUM	FA10912_NIS033U-M	±15°
NIS033U WIDE	FA10913_NIS033U-W	±30°

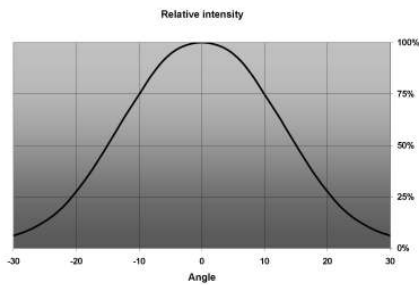
© Ledil Oy – PRELIMINARY - Subject to change without prior notice

MEASUREMENTS

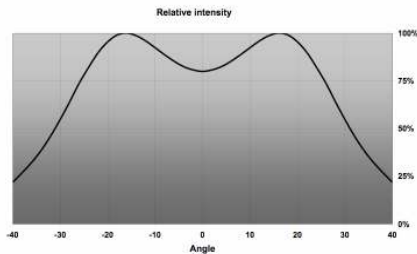
NIS033U-SS



NIS033U-M



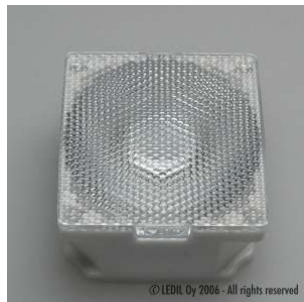
NIS033U-W



PHOTOS



NIS033U-SS

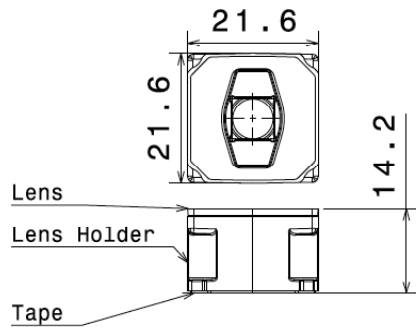


NIS083-M



NIS083-W

© Ledil Oy – PRELIMINARY - Subject to change without prior notice

DIMENSIONS**PACKAGING**

NIS033U lenses are delivered on adhesive tape liner sheets, each sheet containing 60 lenses.

© Ledil Oy – PRELIMINARY - Subject to change without prior notice