

Lisa2-Clip16-N119 miniature lens for Nichia N119 series of LEDs



- Lens material optical grade PMMA with high UV and temperature resistance (105°C/220°F). Lens holder molded of high quality black PC.
- High optical efficiency, up to 90%.
- Integrated holder with small snap clips. See drawing below for more details. Fastening of holden the lens to PCB.
- Very small and compact dimensions: Diameter 9.9 mm, height 6.8 mm.

LENS TYPES

NAME	ORDERING CODE	FWHM Angle
Lisa2-Clip16 Real Spot	FA11087_Lisa2-RS-clip16-N119	~±5.5°
Lisa2-Clip16 Medium	FA11078_Lisa2-M-clip16-N119	~±12°
Lisa2-Clip16 Oval	FA11123_Lisa2-O-clip16-N119	~±5° x ~16°
Lisa2-Clip16 Wide	FA11079_Lisa2-W-clip16-N119	~±20°

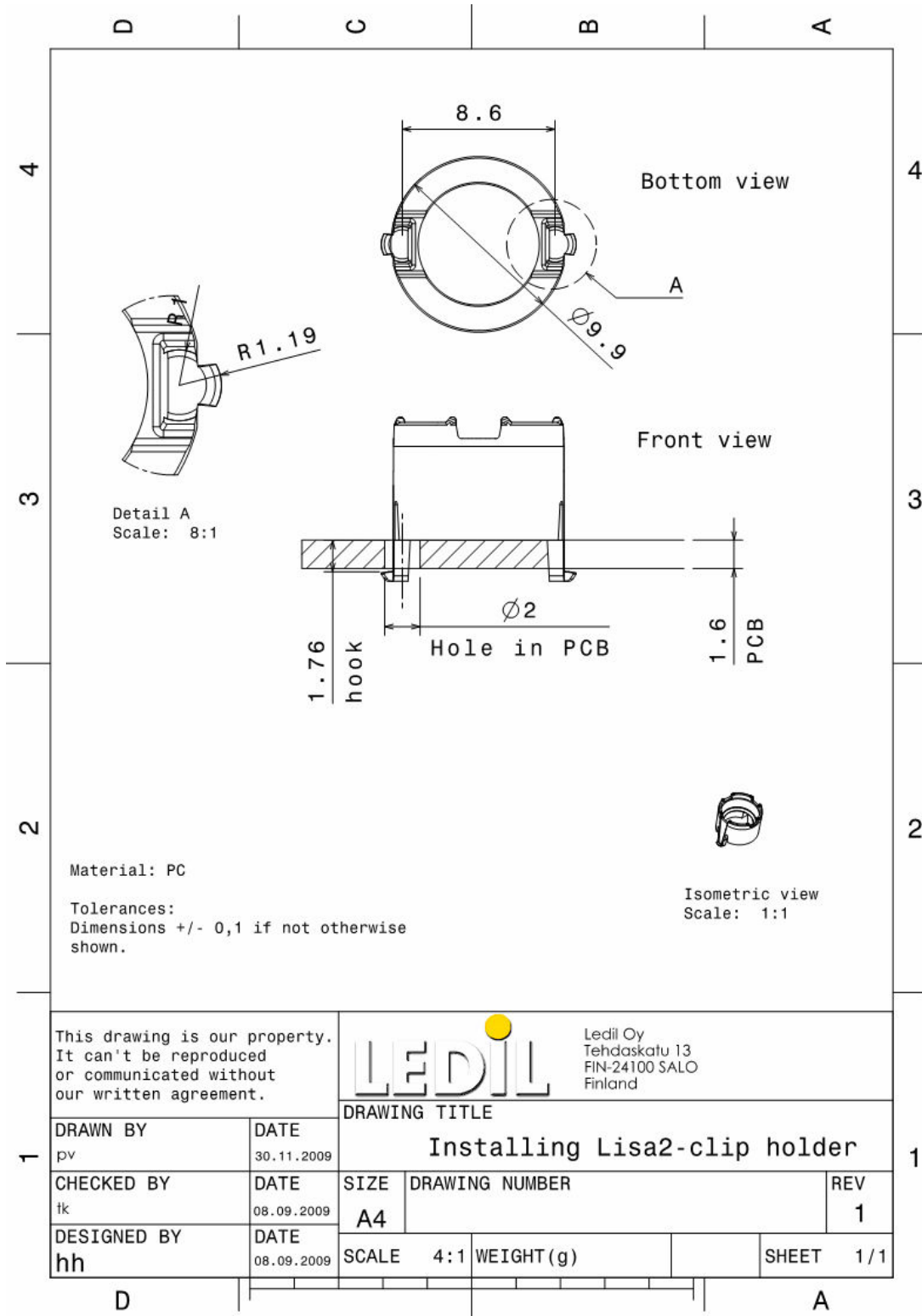
~ results are based on simulation value.

MEASUREMENT DATA

Coming soon

© Ledil Oy – PRELIMINARY - Subject to change without prior notice

DRAWINGS



© Ledil Oy – PRELIMINARY - Subject to change without prior notice