

## Flare-B-N119 lens for Nichia 119 series of LEDs



Flare-B-N119

- Lens designed for Nichia's N119 series of LEDs
- Lens material optical grade PMMA with high UV and temperature resistance (105°C/220°F). Allows use of high current and temperature conditions
- Best available optical efficiency
- Fastening to PCB & heat sink with 2 screws (C10946\_Flare-B-N119) or very easy assembly with TAPE
- LED can be assembled parallel or perpendicular to the x,y axis (to turn the light distribution by 90°)
- Compact dimensions 23 x 25 mm. Square form enables easy build of a line without any gaps between lenses.
- **Especially suitable for Beacon and other 360° solutions and in linear solutions with high evenness requirements**

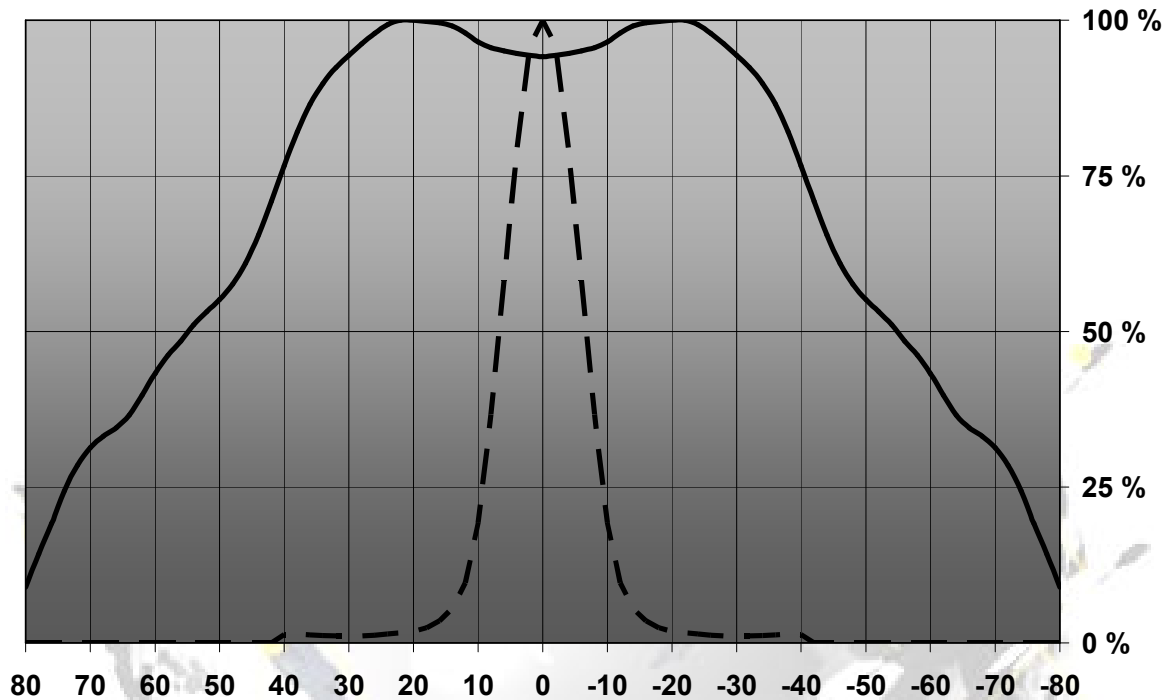
NAME	ORDERING CODE	FWHM Angle
Flare-B-N119 Lens	C10946_Flare-B-N119	±4.5° x ±44°
Flare-B-N119 Lens + tape	CA10932_Flare-B-N119-tape	±4.5° x ±44°



© Ledil Oy - Subject to change without prior notice

## MEASUREMENTS

Relative Intensity of C10946\_Flare-B-N119



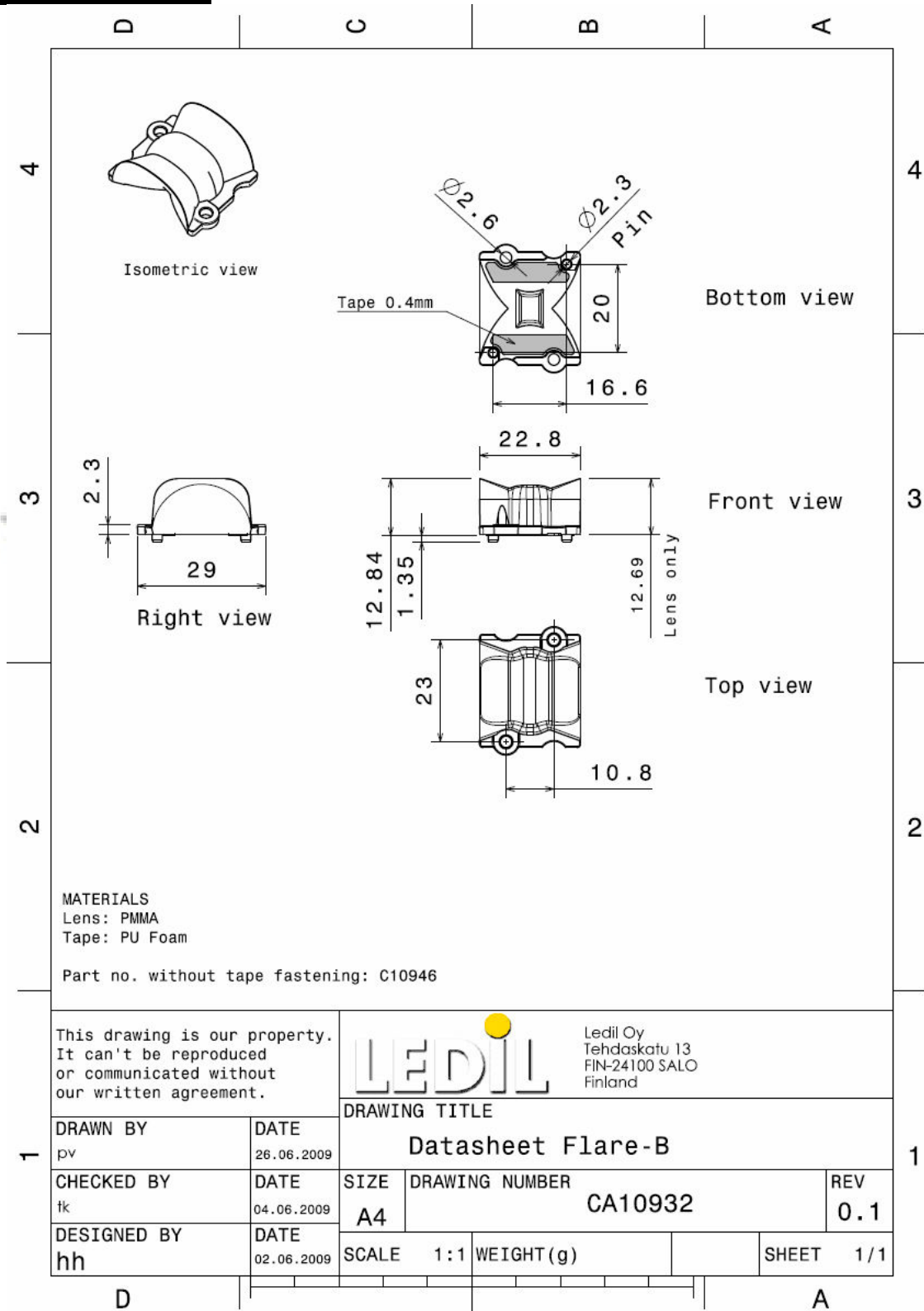
© Ledil Oy - Subject to change without prior notice

Ledil Oy  
Tehdaskatu 13  
FIN-24100 SALO, Finland

[www.ledil.com](http://www.ledil.com)  
email: [ledil@ledil.com](mailto:ledil@ledil.com)  
FAX: +358-2-733 8001

2009-11-28

## DRAWINGS



© Ledil Oy - Subject to change without prior notice