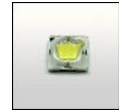


## Cute-3-N119 lenses for Nichia N119 LEDs



- Specially designed for Nichia N119 series of LEDs.
- Special care taken to make a uniform white or warm white illumination. Lenses work well with other colors, too.
- Lens material optical grade PMMA. Allows use of high current and temperature conditions
- No lens holder. Fastening to heat sink with droplets of glue.
- Best available optical efficiency, up to 90%.

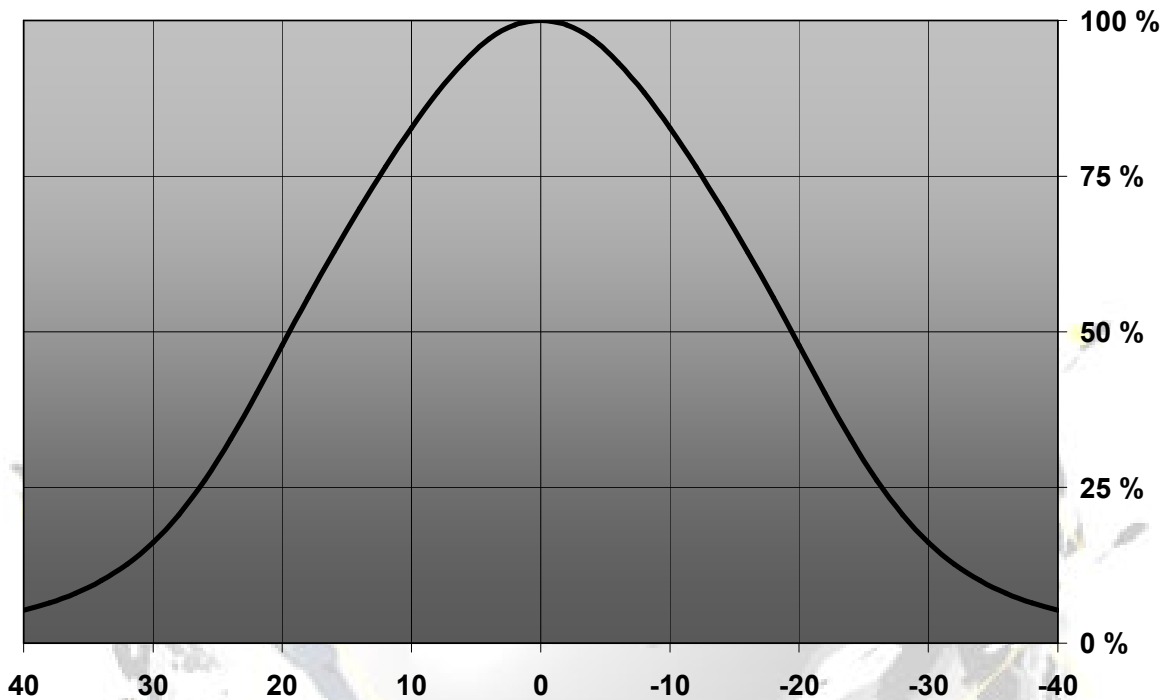
### LENS TYPES

| NAME               | ORDERING CODE         | FWHM Angle       |
|--------------------|-----------------------|------------------|
| Cute-3 Smooth Spot | C10754_Cute-3-SS-N119 | $\pm 7^\circ$    |
| Cute-3 Medium      | C10755_Cute-3-M-N119  | $\pm 12.5^\circ$ |
| Cute-3 Wide        | C10756_Cute-3-W-N119  | $\pm 19.5^\circ$ |

© Ledil Oy – PRELIMINARY - Subject to change without prior notice

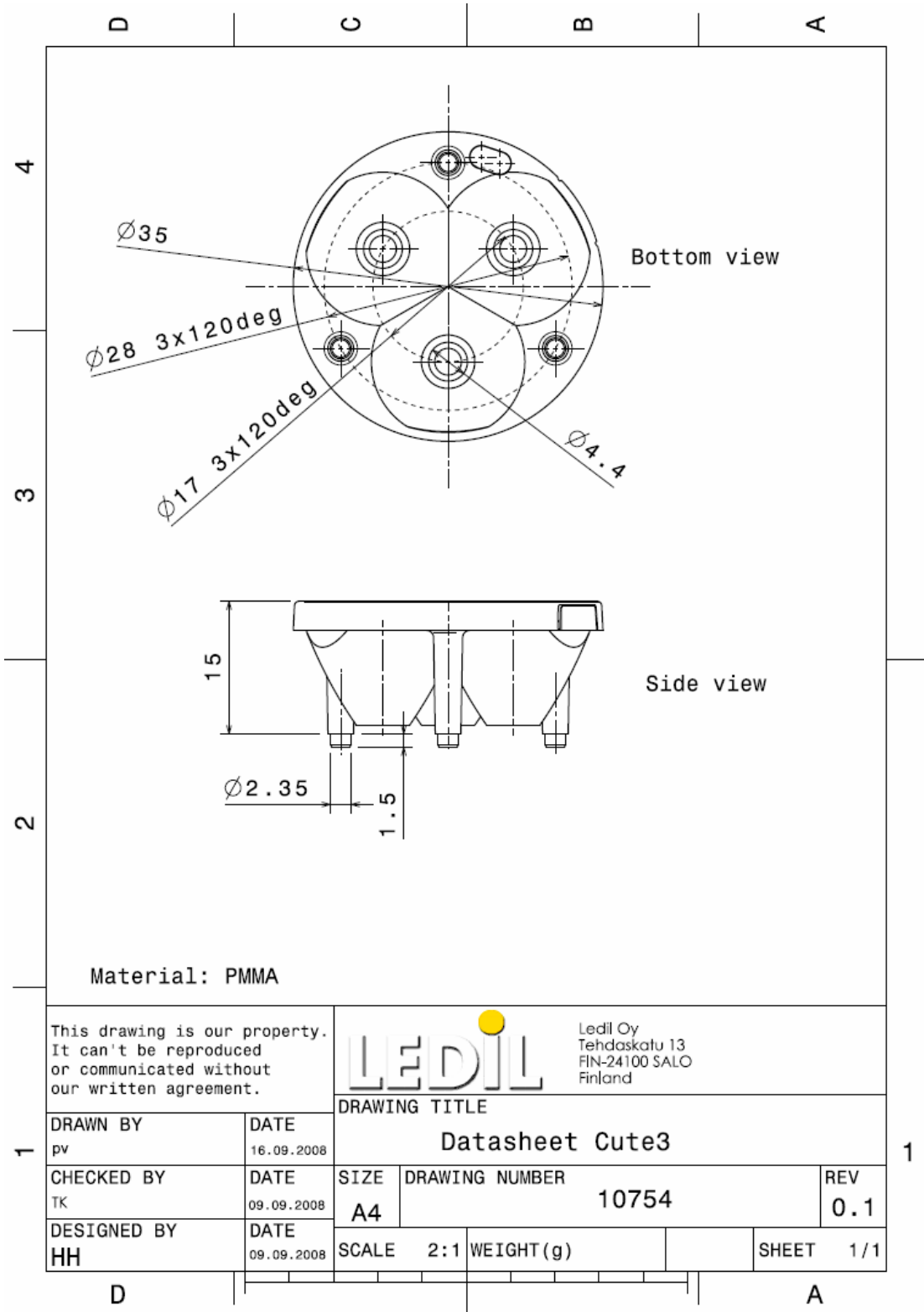
**MEASUREMENT DATA**

Relative Intensity of C10756\_Cute-3-W-N119



© Ledil Oy – PRELIMINARY - Subject to change without prior notice

## DRAWINGS



© Ledil Oy - PRELIMINARY - Subject to change without prior notice