

FULLY SEALABLE HEIDI-RE lenses for LUXEON REBEL LEDs



LUXEON



- Specially designed for Luxeon Rebel series of LEDs.
- Lens material optical grade PMMA with high UV and temperature resistance (105°C/220°F)
- High optical efficiency, up to 90%
- No lens holder. Fastening to heat sink with a PU foam adhesive tape of automotive grade
- Lens foot can be potted with resin without losses in optical efficiency (**fully sealed construction** of luminaire possible)
- Diameter 21.6 mm

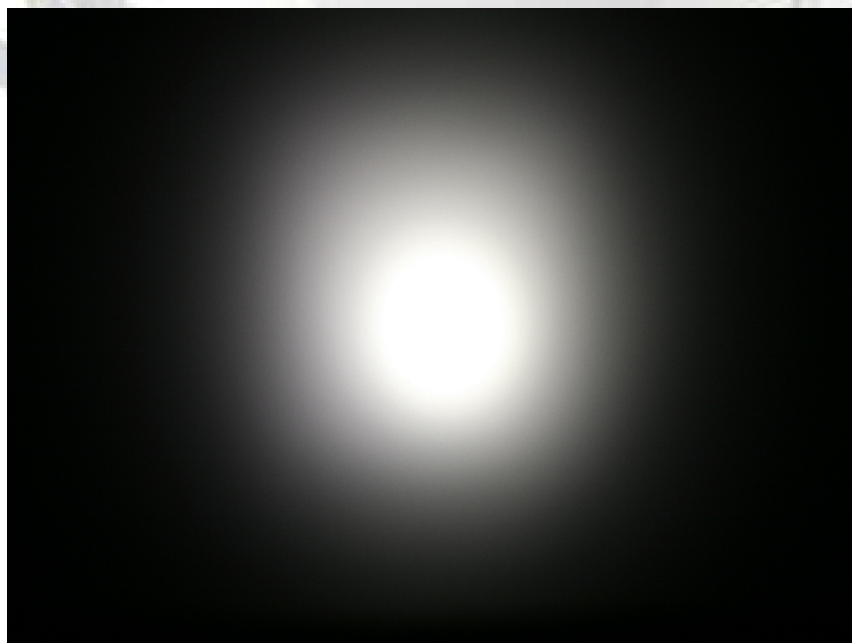
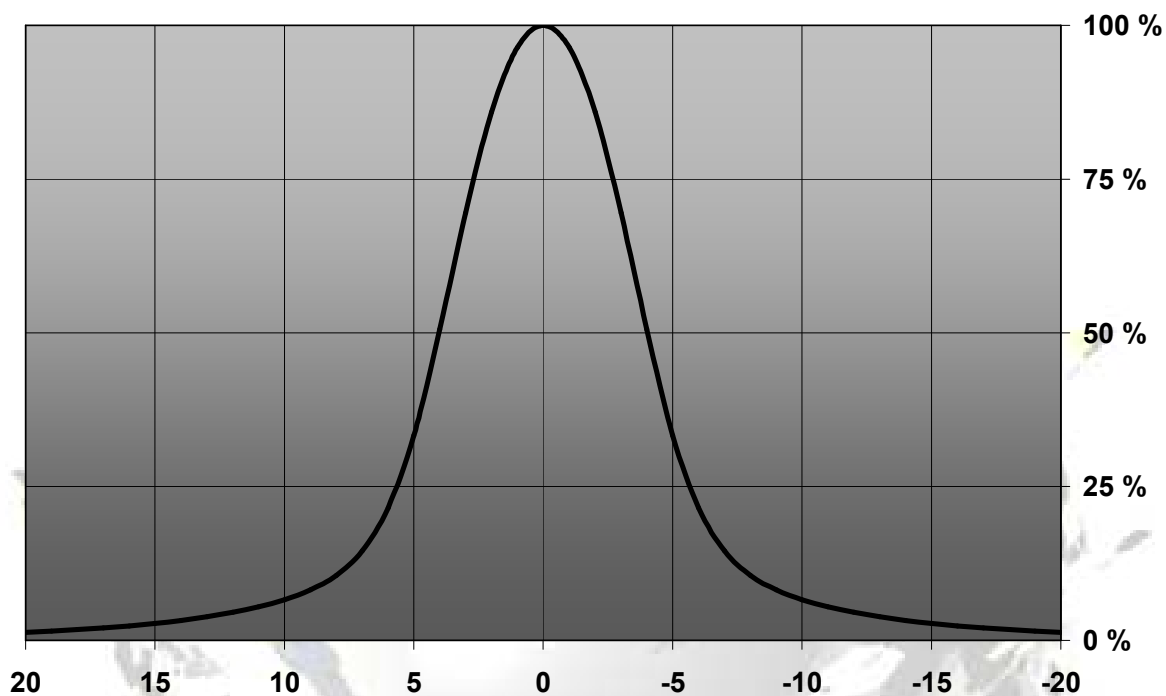
LENS TYPES

| NAME | ORDERING CODE | FWHM Angle |
|----------------|--------------------|-------------|
| HEIDI diffuser | CA11264_Heidi-D-RE | ±4° |
| HEIDI medium | CA11265_Heidi-M-RE | Coming soon |
| HEIDI oval | CA11266_Heidi-O-RE | Coming soon |

© Ledil Oy – Subject to change without prior notice

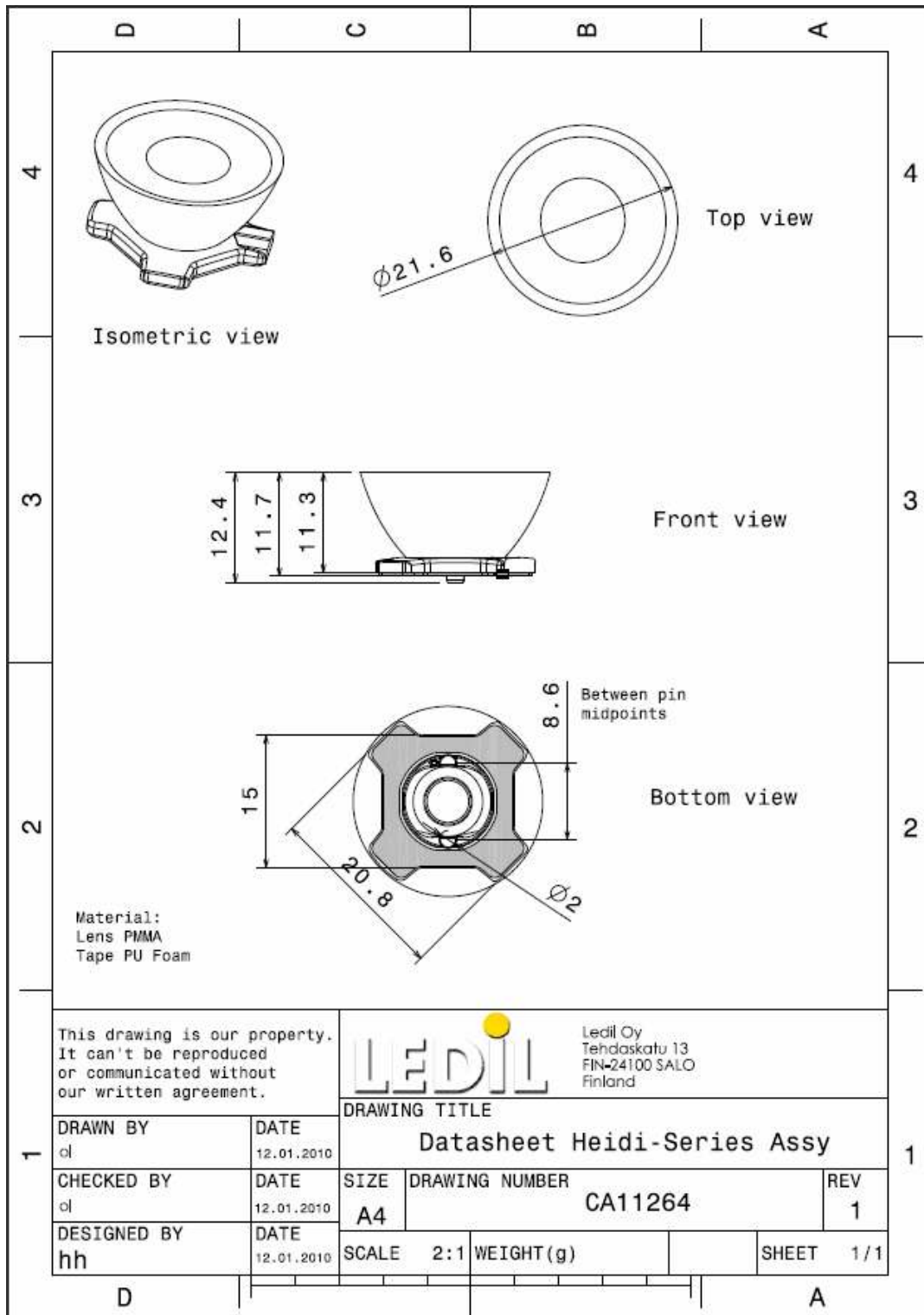
MEASUREMENTS

Relative Intensity of CA11264_Heidi-D-RE



© Ledil Oy – Subject to change without prior notice

DRAWINGS



© Ledi Oy – Subject to change without prior notice