

Strada-C2-RE lenses for Luxeon Rebel series of LEDs

LUXEON



- Specially designed for Luxeon Rebel series of LEDs.
- New extremely wide BATWING design with very and uniform light distribution.
- Comes with integrated positioning pins.
- Lens material optical grade PMMA. Allows use of high current and temperature conditions
- Best available optical efficiency, approximately 92%.
- Fastening to heat sink with or without PU foam adhesive tape of automotive grade, please select which suits the best for your needs.

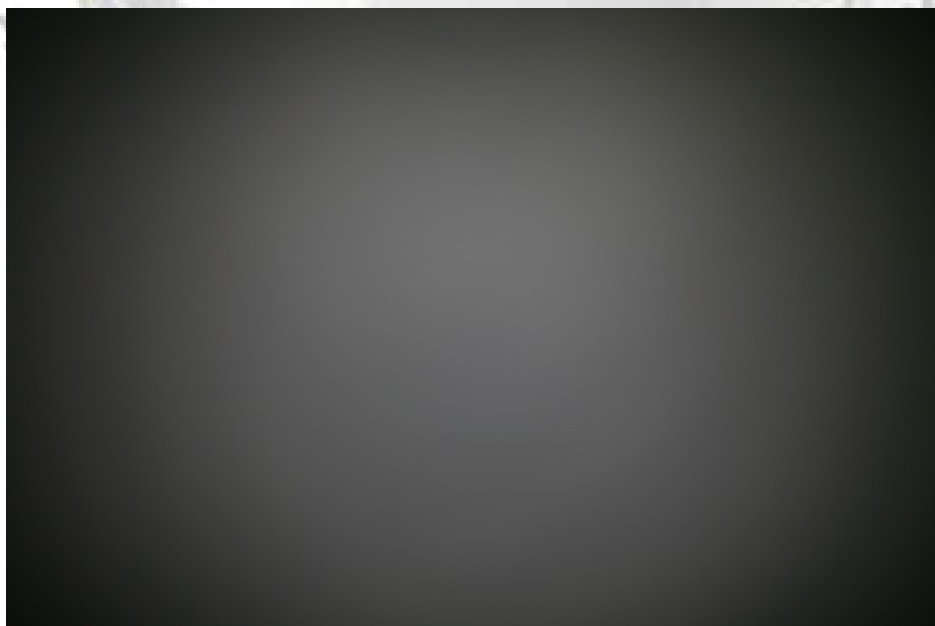
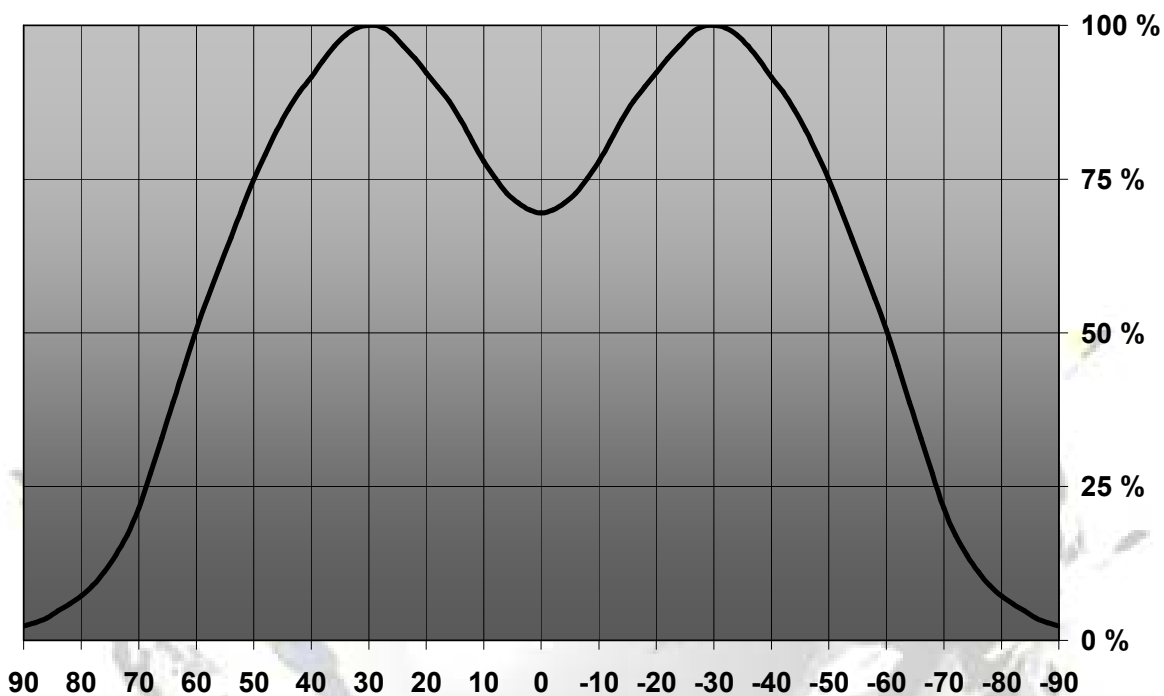
LENS TYPES

NAME	ORDERING CODE	FWHM Angle
Strada-C2-RE	C11252_Strada-C2-RE	±60°
Strada-C2-RE-TAPE	CA11253_Strada-C2-RE-tape	±60°

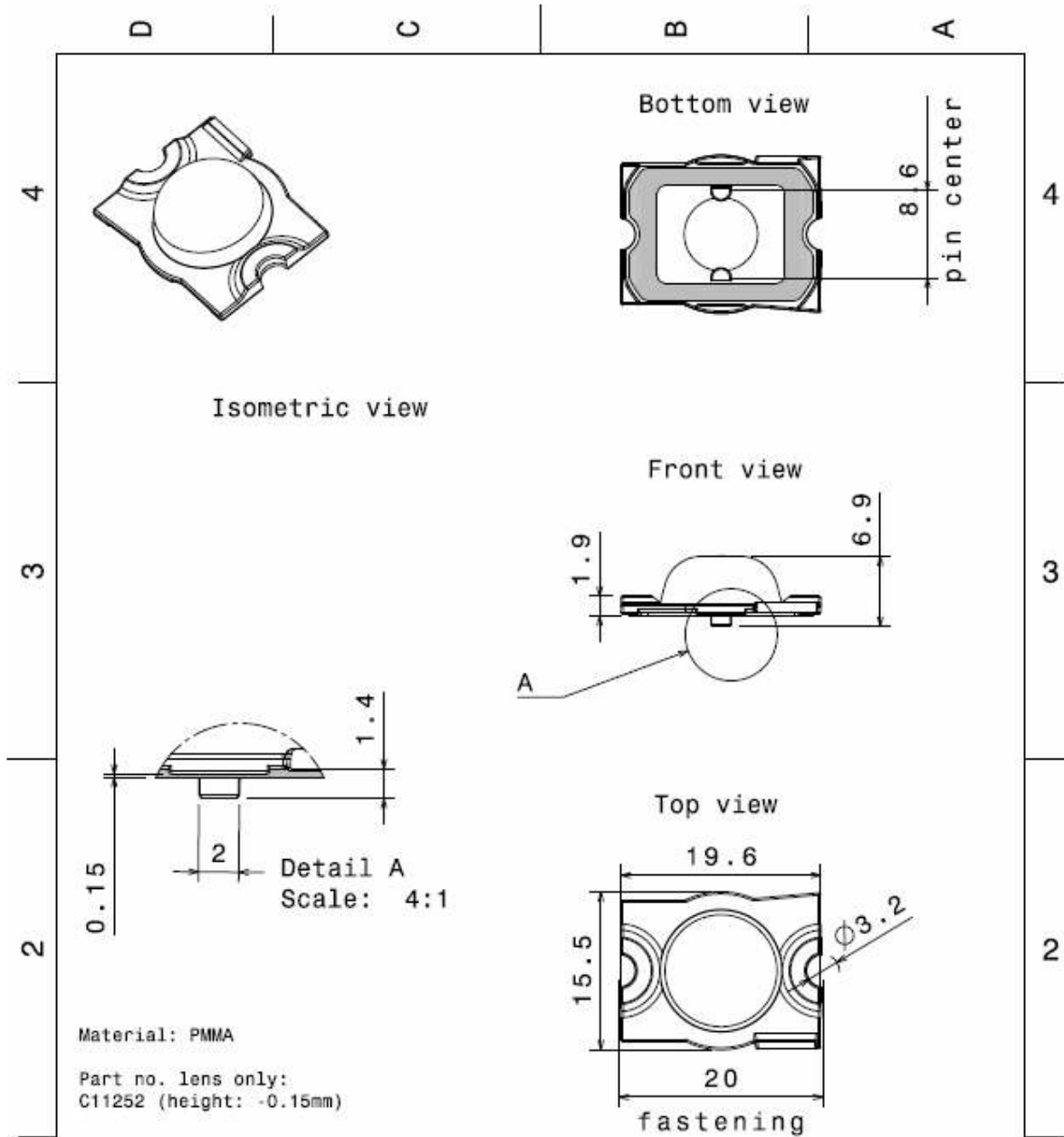
© Ledil Oy – PRELIMINARY - Subject to change without prior notice

MEASUREMENT DATA & DRAWING

Relative Intensity of C11252_Strada-C2-RE



© Ledil Oy – PRELIMINARY - Subject to change without prior notice



This drawing is our property.
It can't be reproduced
or communicated without
our written agreement.



Ledil Oy
Tehdaskatu 13
FIN-24100 SALO
Finland

DRAWING TITLE

Datasheet Strada-C2 Assy

DRAWN BY ol	DATE 16.12.2009
----------------	--------------------

CHECKED BY hh	DATE 16.12.2009
------------------	--------------------

DESIGNED BY ol	DATE 16.12.2009
-------------------	--------------------

SIZE A4	DRAWING NUMBER CA11253	REV 1
------------	---------------------------	----------

SCALE 2:1	WEIGHT (g)	SHEET 1/1
--------------	------------	--------------