

## Flare-B-RE lens for LUXEON REBEL series of LEDs

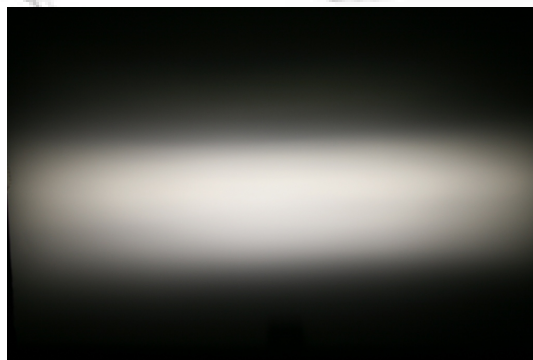
LUXEON



Flare-B-RE

- Lens designed for Luxeon Rebel series of LEDs
- Lens material optical grade PMMA with high UV and temperature resistance (105°C/220°F). Allows use of high current and temperature conditions
- Best available optical efficiency
- Fastening to PCB & heat sink with 2 screws (C10946\_Flare-B-RE) or very easy assembly with TAPE
- LED can be assembled parallel or perpendicular to the x,y axis (to turn the light distribution by 90°)
- Compact dimensions 23 x 25 mm. Square form enables easy build of a line without any gaps between lenses.
- **Especially suitable for Beacon and other 360° solutions and in linear solutions with high evenness requirements**

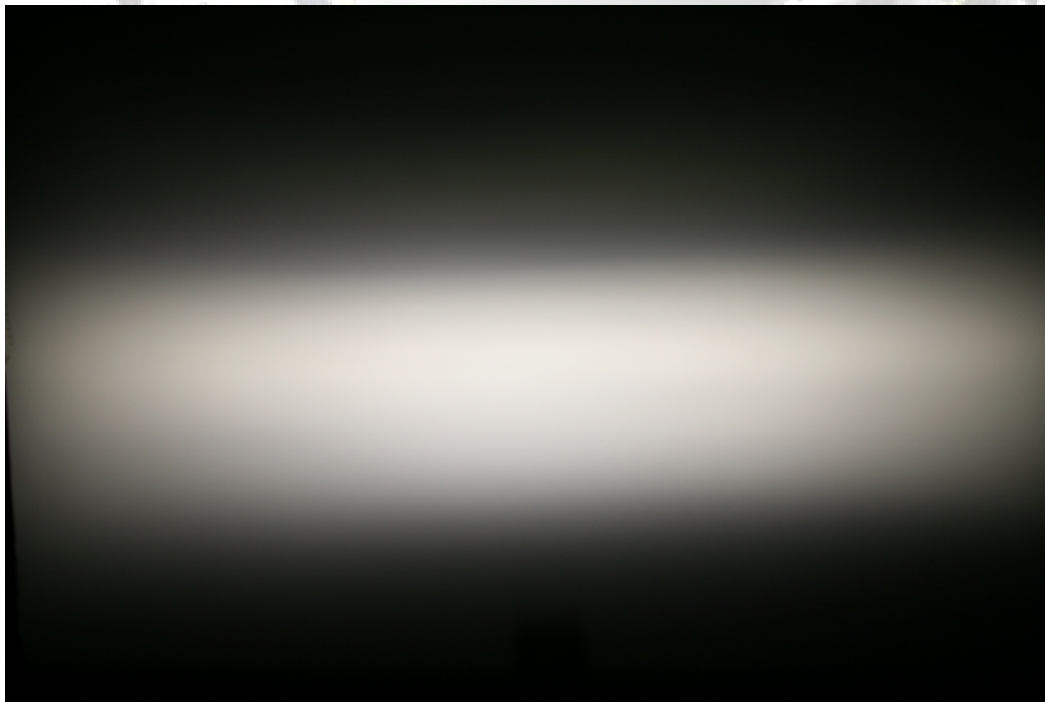
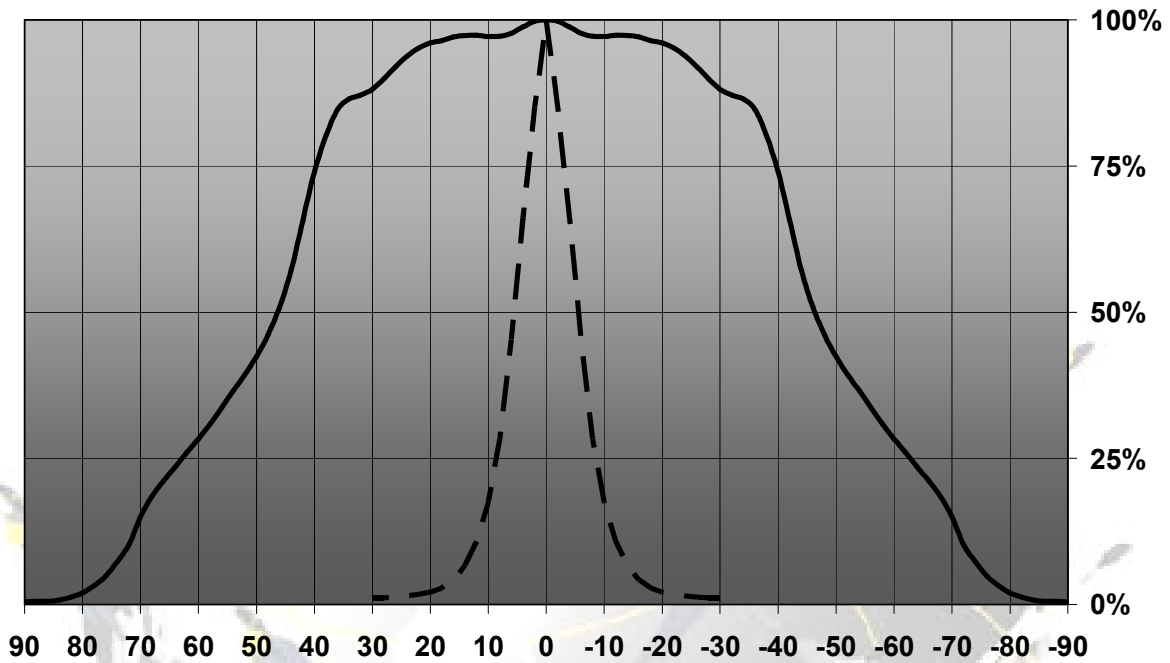
NAME	ORDERING CODE	FWHM Angle
Flare-B-RE Lens	C10946_Flare-B-RE	±5.5° x ±46°
Flare-B-RE Lens + tape	CA10932_Flare-B-RE-tape	±5.5° x ±46°



© Ledil Oy - Subject to change without prior notice

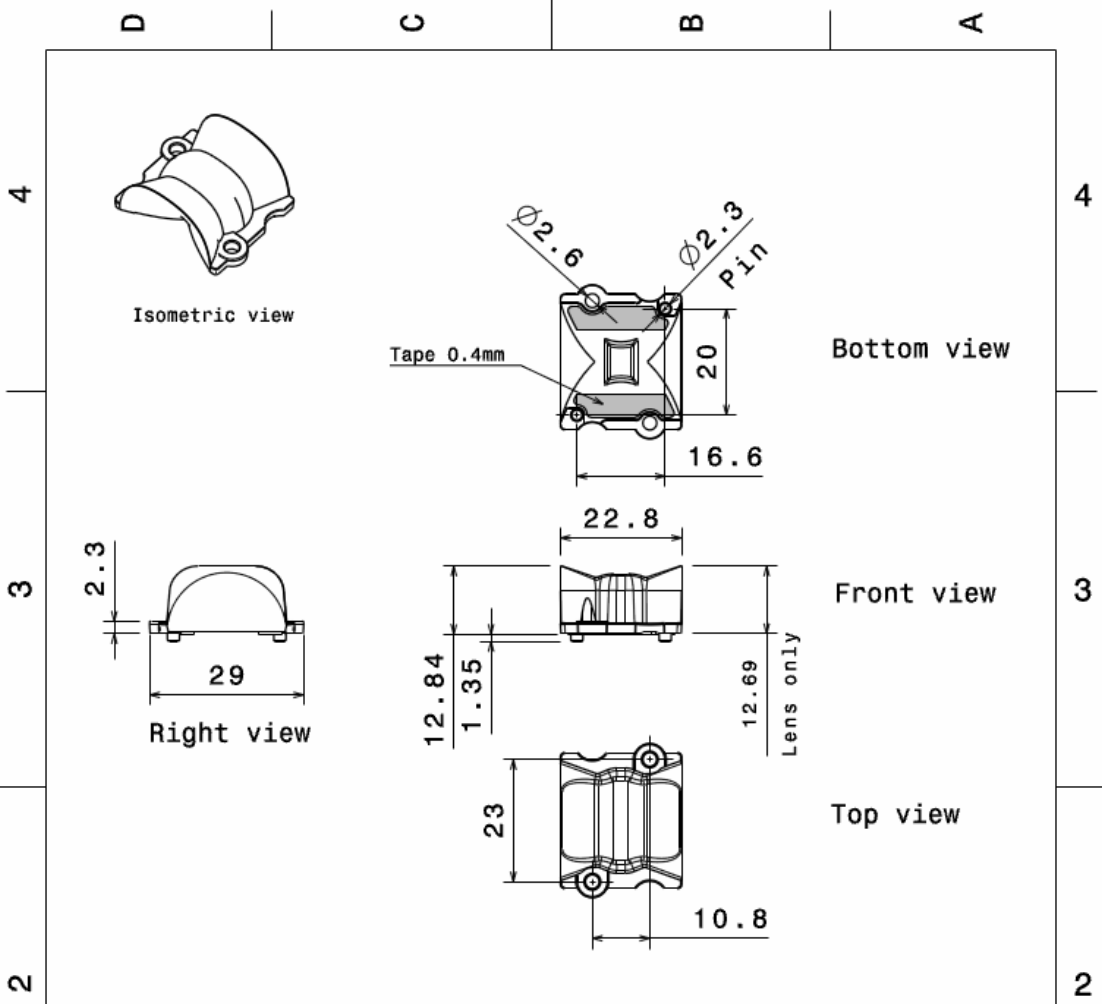
## MEASUREMENTS

Relative Intensity of C10946\_Flare-B-RE



© Ledil Oy - Subject to change without prior notice

## DRAWINGS



**MATERIALS**  
 Lens: PMMA  
 Tape: PU Foam

Part no. without tape fastening: C10946

This drawing is our property.  
 It can't be reproduced  
 or communicated without  
 our written agreement.



Ledil Oy  
 Tehdaskatu 13  
 FIN-24100 SALO  
 Finland

**DRAWING TITLE**

Datasheet Flare-B- RE -tape Assy

<b>DRAWN BY</b> pv	<b>DATE</b> 26.06.2009
<b>CHECKED BY</b> fk	<b>DATE</b> 04.06.2009
<b>DESIGNED BY</b> hh	<b>DATE</b> 02.06.2009

<b>SIZE</b> A4	<b>DRAWING NUMBER</b> CA10932	<b>REV</b> 0.1
<b>SCALE</b> 1:1	<b>WEIGHT (g)</b>	<b>SHEET</b> 1/1