

Bailey reflector for Luminus CSM-360-W series of LEDs

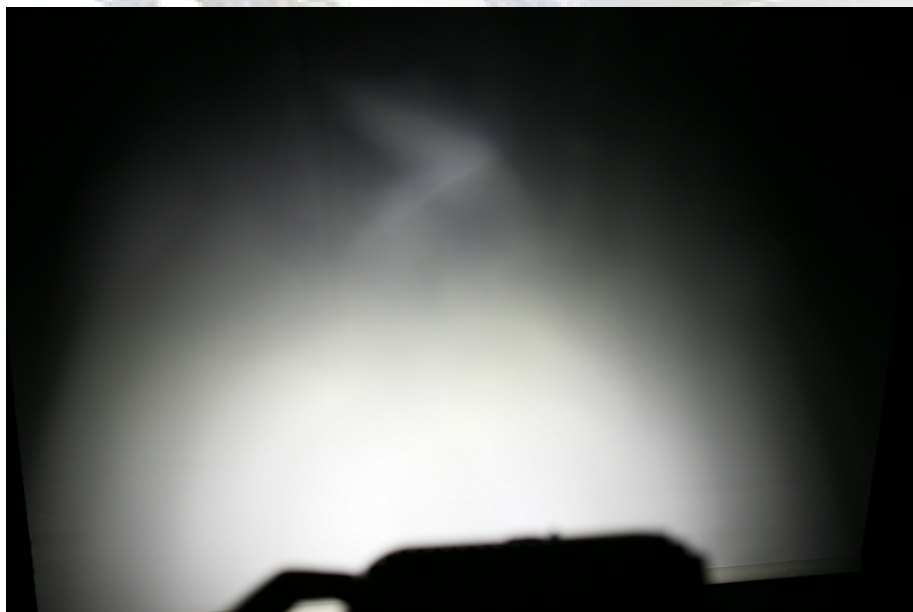
LUMINUS



- Specially designed for Luminus CSM-360-W series of LEDs.
- Reflector with very beautiful shape and high efficiency.
Lens material optical grade metallized PC. Allows use of high current and temperature conditions
- Especially designed for hall lighting, where high light power is needed

LENS TYPES

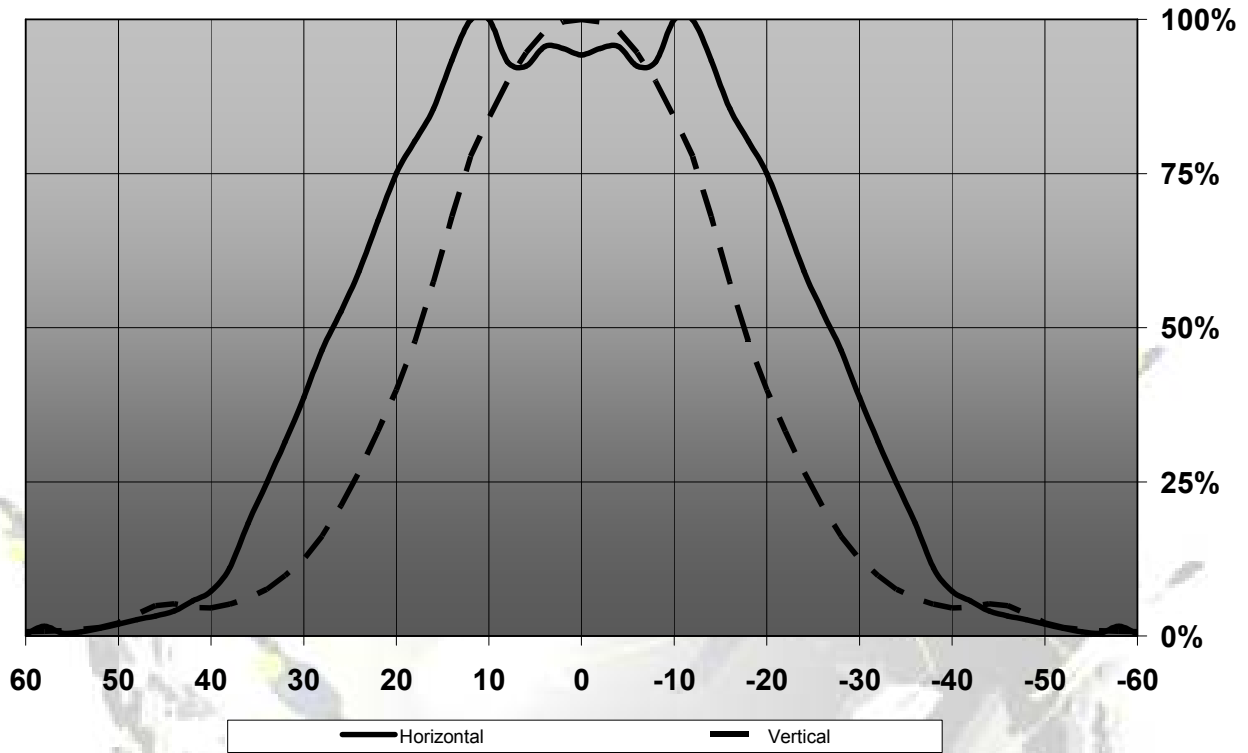
NAME	ORDERING CODE	FWHM Angle
Bailey	C10899_Bailey-A-CSM-360-W	$\pm 27^\circ \times \pm 18^\circ$



© Ledil Oy – PRELIMINARY - Subject to change without prior notice

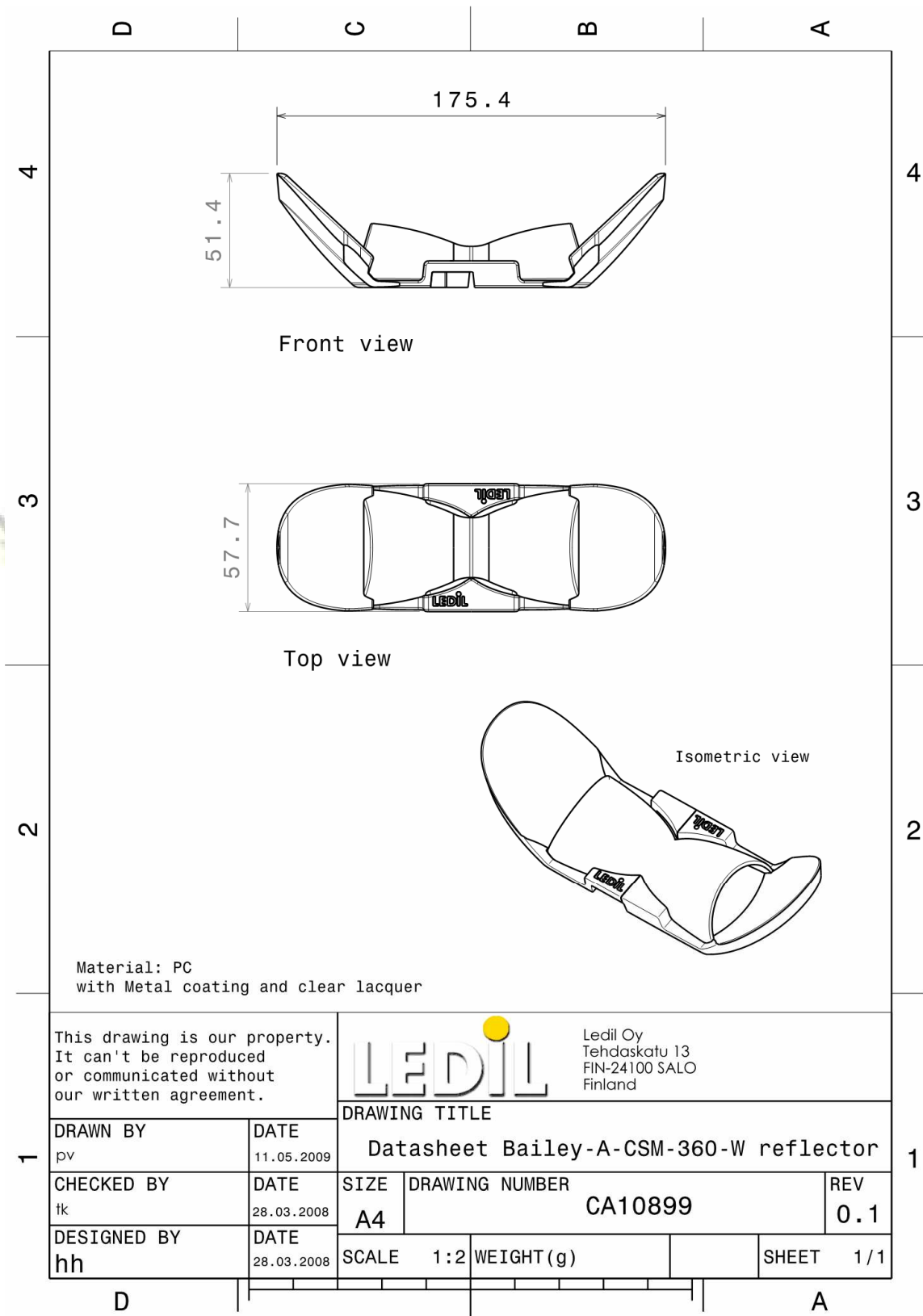
MEASUREMENTS

Relative Intensity of CA10899_Bailey-A-CSM-360-W



© Ledil Oy – PRELIMINARY - Subject to change without prior notice

DRAWINGS



© Ledil Oy - PRELIMINARY - Subject to change without prior notice