

LO1 LENSES FOR OSRAM-OS DRAGON/DRAGON+ LEDs



- Specially designed for Osram-os Dragon/Dragon+ series of LEDs.
- Special care taken to make a uniform white or warm white illumination. Lenses work well with other colors, too.
- Lens material optical grade PMMA. Allows use of high current and temperature conditions
- Best available optical efficiency, more than 90%, with an extremely good cutoff of light
- Fastening of holden to PCB with appropriate adhesive, e.c. epoxy or polyurethane based. NOTE: DO NOT USE SUPERGLUE.

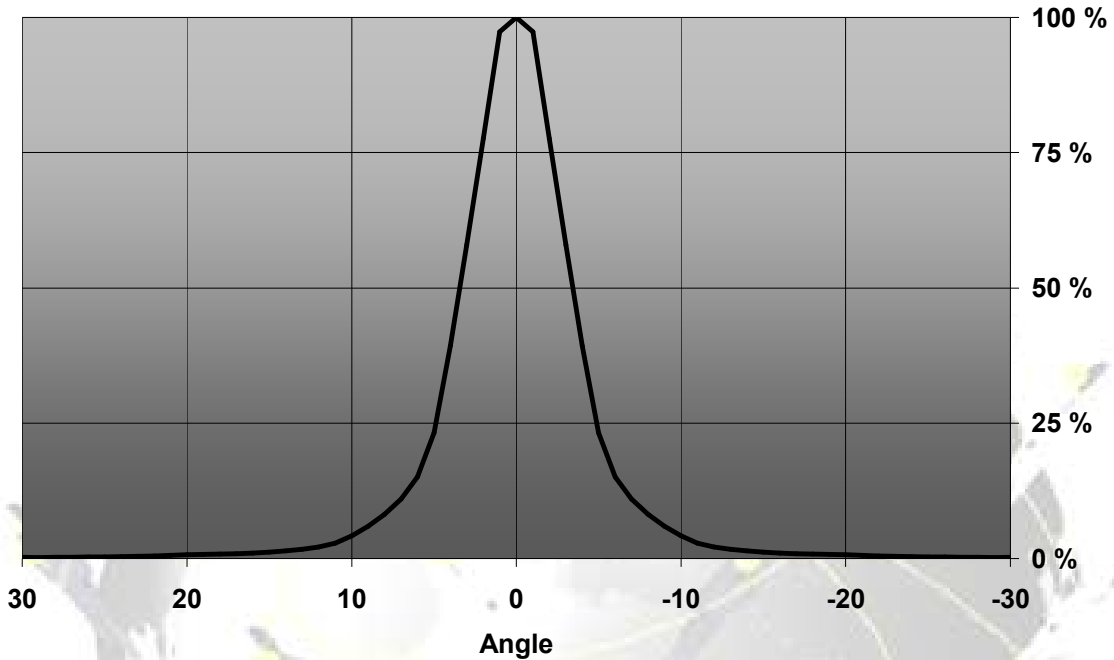
LENS TYPES

NAME	ORDERING CODE	FWHM Angle
LO1 REAL SPOT	FA11257_LO1-RS	±3.5°
LO1 DIFFUSER	FA11259_LO1-D	±5.5°
LO1 MEDIUM	FA11258_LO1-M	±13°
LO1 OVAL	FA11260_LO1-O	±20.5° x ±6°
LO1 RECTANGULAR	FA11262_LO1-Rec	±19° x ±11.8°

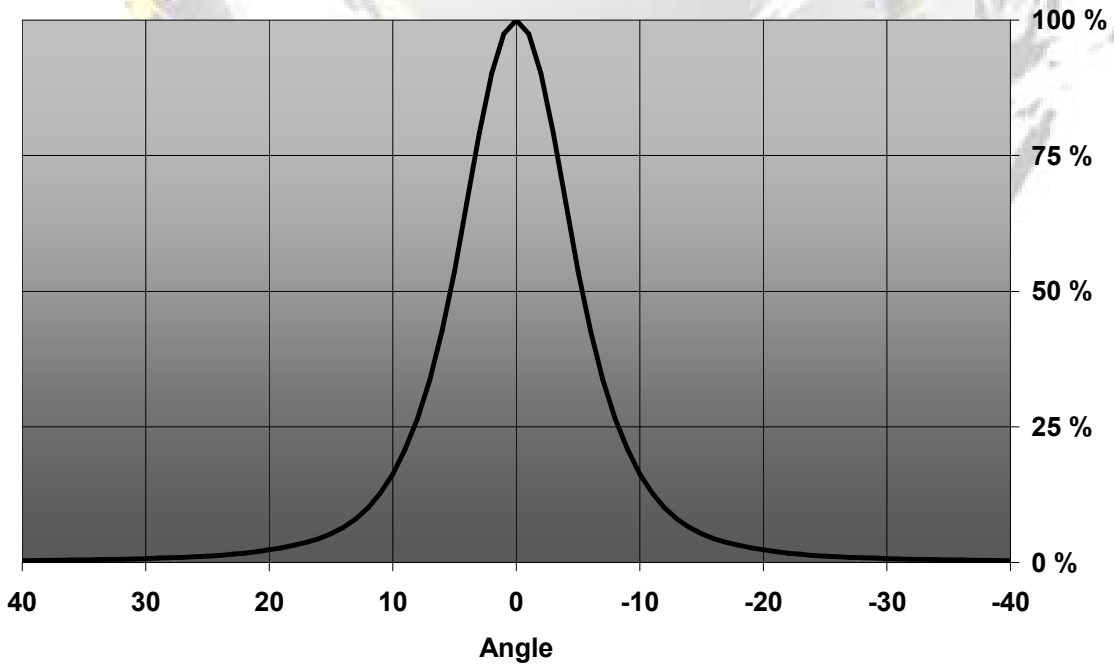
© Ledil Oy – PRELIMINARY - Subject to change without prior notice

MEASUREMENT DATA

Relative Intensity of LO2-RS

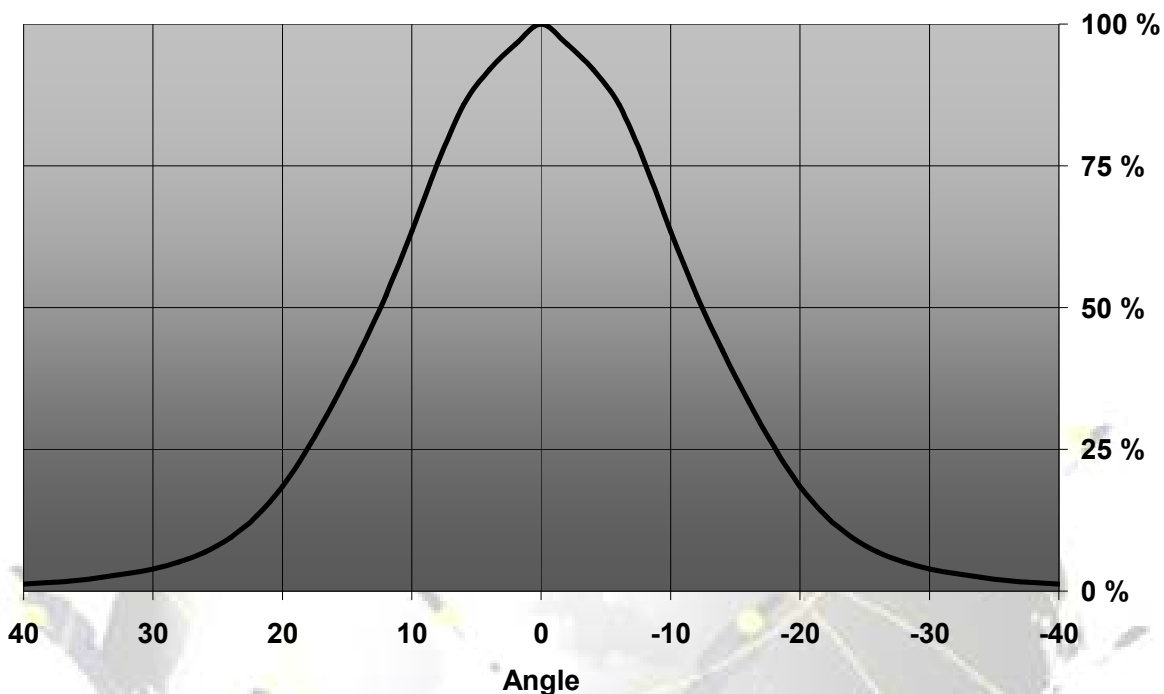


Relative Intensity of LO2-D

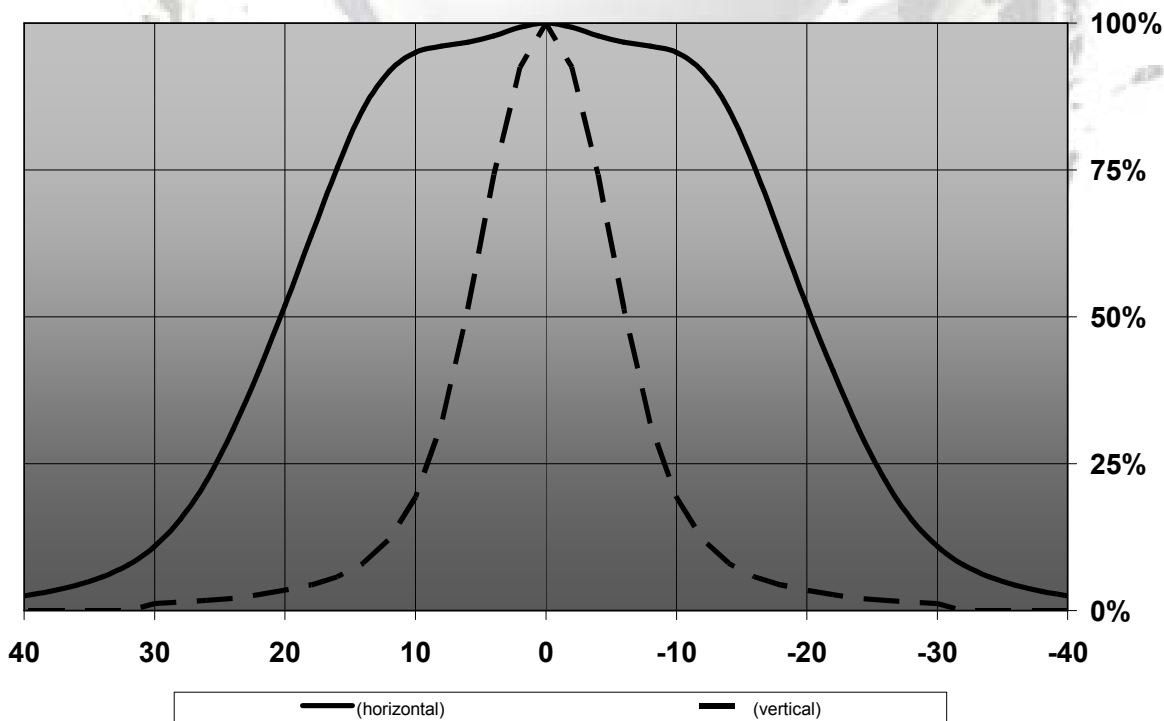


© Ledil Oy – PRELIMINARY - Subject to change without prior notice

Relative Intensity of LO2-M

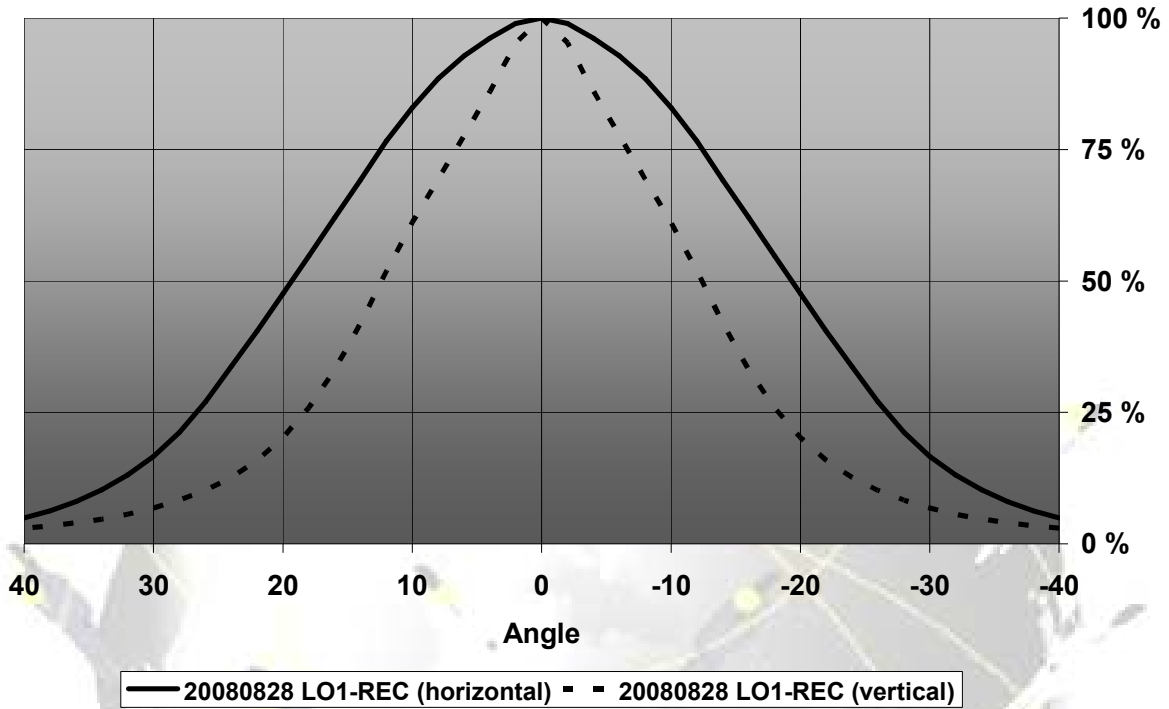


Relative Intensity of FA11135_LO2-O-90

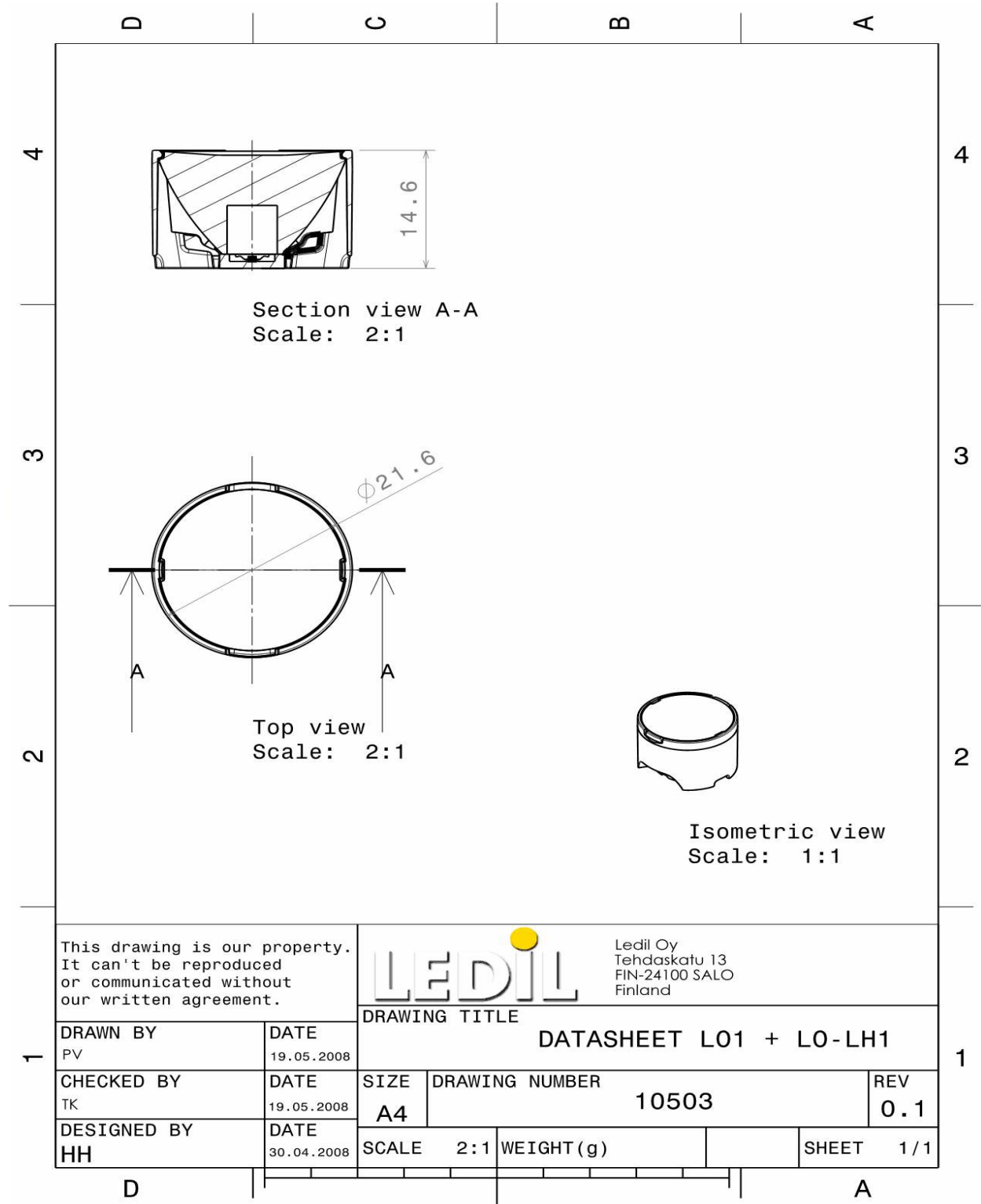


© Ledil Oy – PRELIMINARY - Subject to change without prior notice

Relative Intensity of LO2-REC



DRAWINGS



© Ledil Oy - PRELIMINARY - Subject to change without prior notice