

## IRIS-BXRA lens for BXRA-W0240/W0260/C0360 LEDs



**APPLICATIONS: TORCH LIGHTS,  
DOWNLIGHTS, SPOTLIGHTS**



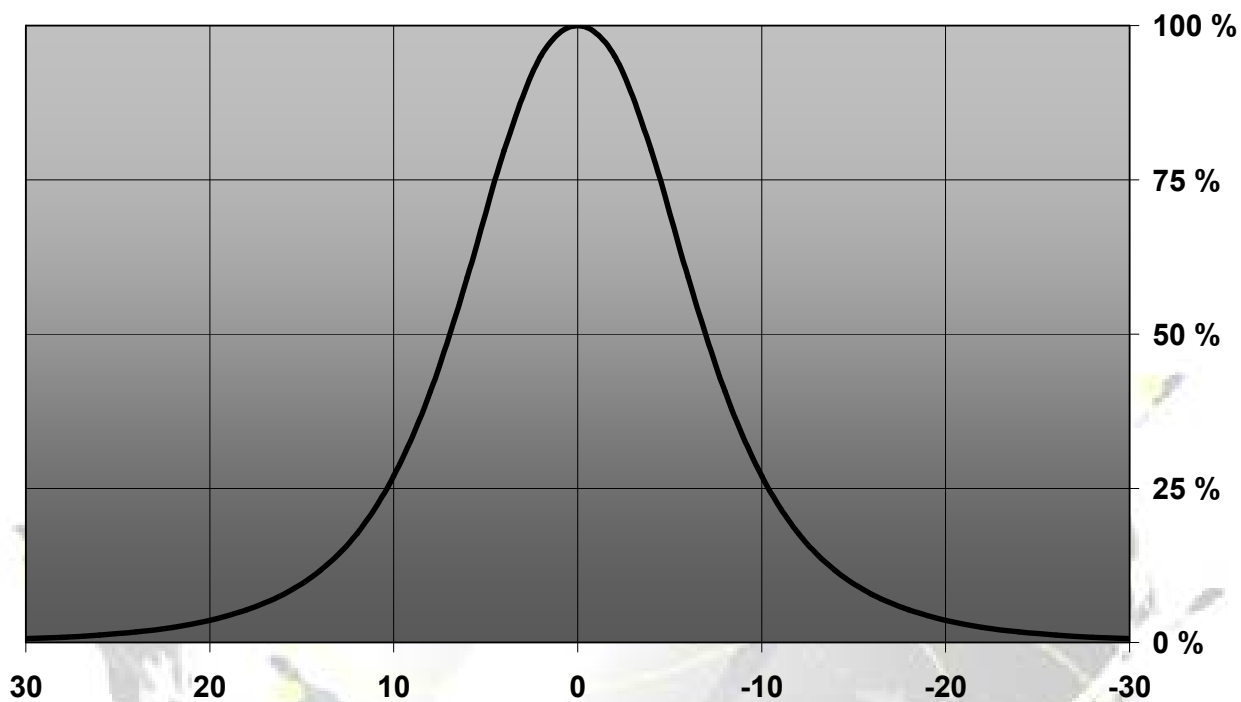
- Specially designed for BXRA-W0240/W0260/C0360 LEDs
- Lens material optical grade PMMA with high UV and temperature resistance (105°C/220°F).
- Good optical efficiency
- Very even color distribution over the whole beam angle.
- NO HOLDER, please ask more info from us

### LENS TYPES

NAME	ORDERING CODE	FWHM Angle
Iris-lens	C10781_Iris-lens	±7°
Iris-lens + Medium sub lens	C10781_Iris-lens+ Medium sub lens	±15°

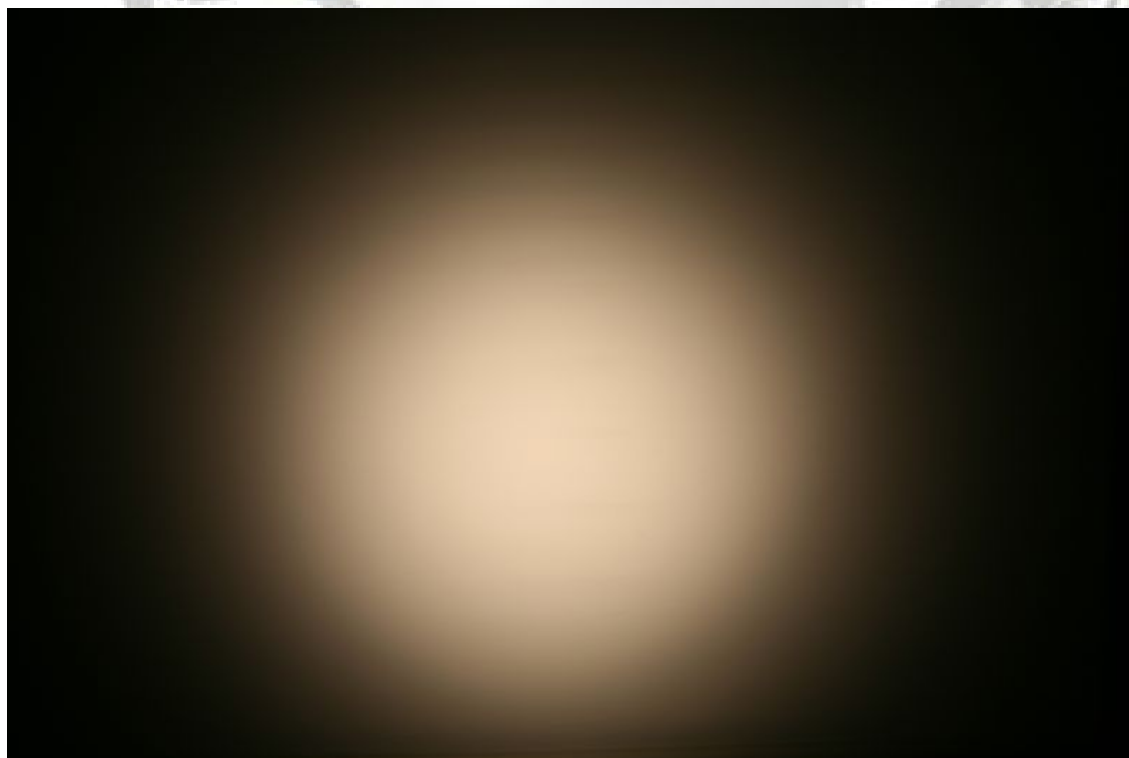
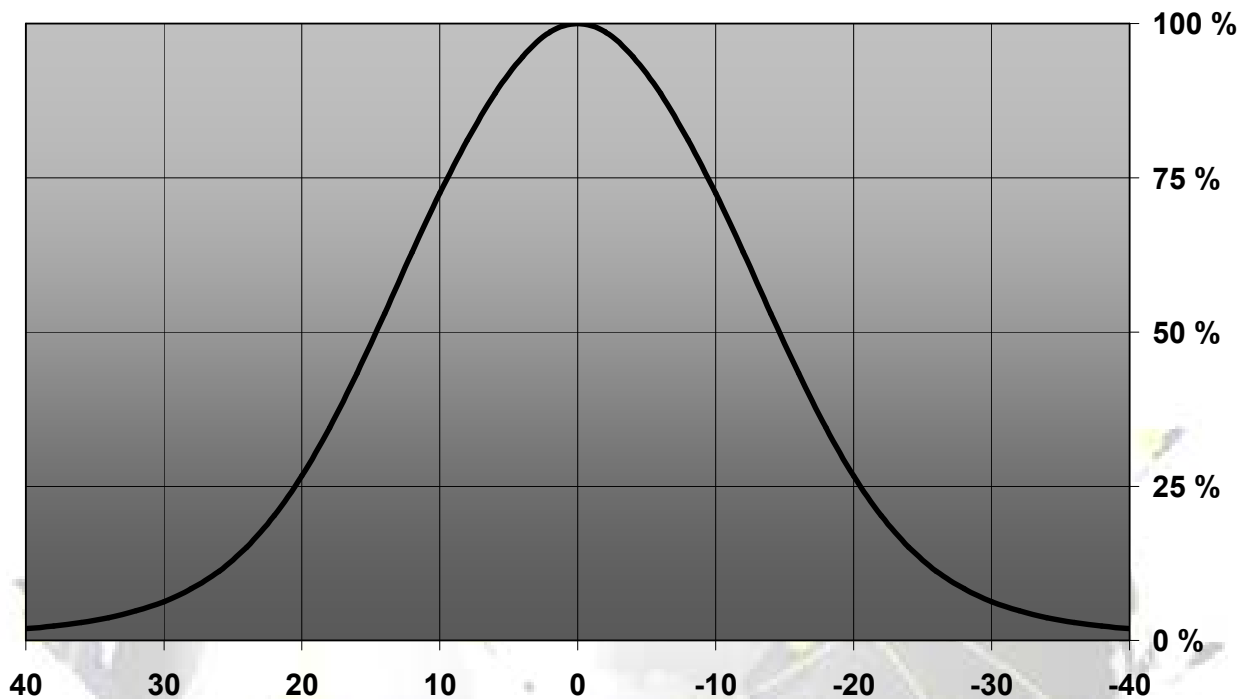
**MEASUREMENTS**

Relative intensity of C10781\_Iris-lens



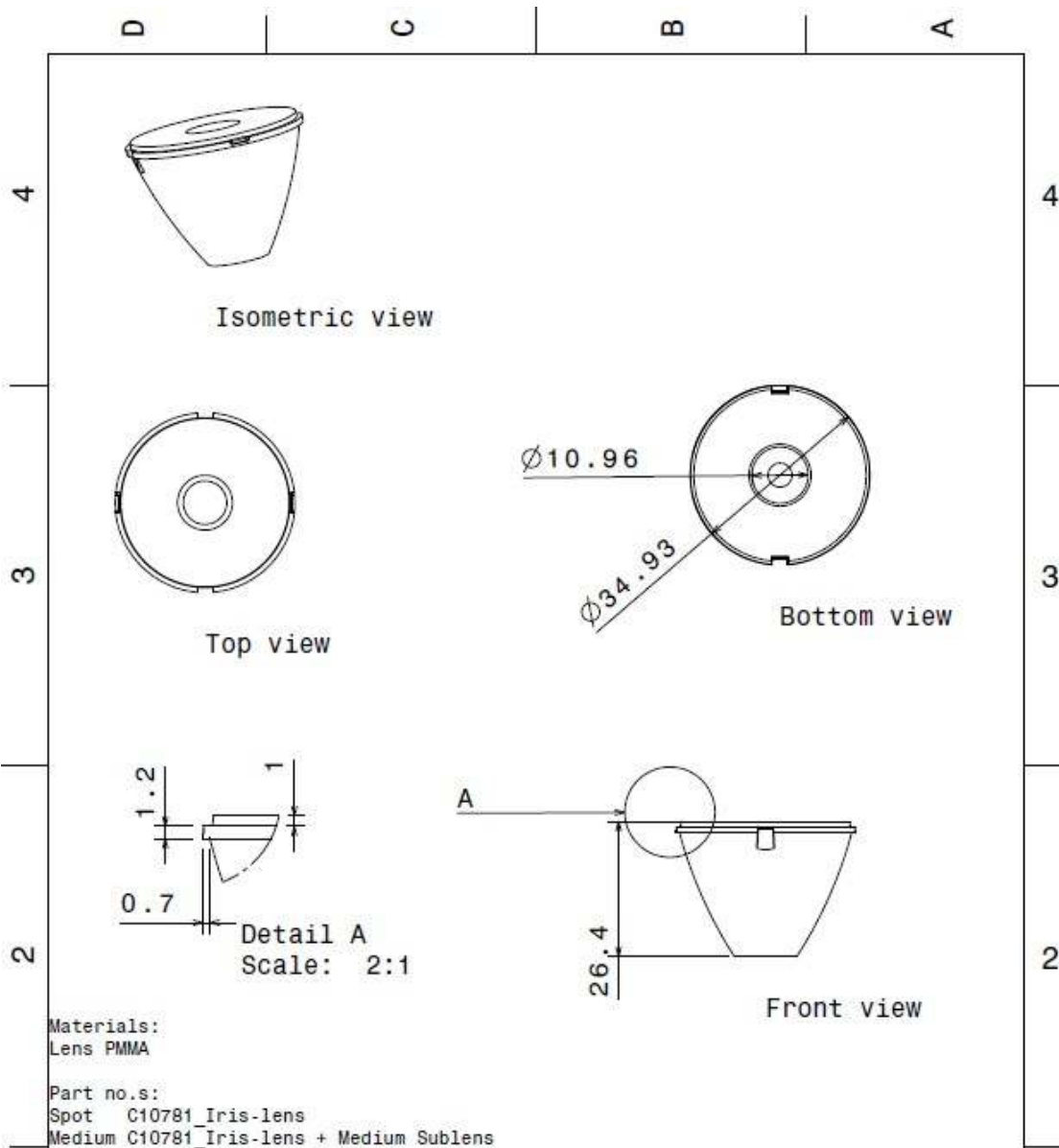
© Ledil Oy – PRELIMINARY - Subject to change without prior notice

Relative intensity of C10781\_Iris-lens+ Medium Sublens



© Ledil Oy – PRELIMINARY - Subject to change without prior notice

## DRAWINGS



This drawing is our property.  
It can't be reproduced  
or communicated without  
our written agreement.



Ledil Oy  
Tehdaskatu 13  
FIN-24100 SALO  
Finland

DRAWN BY <b>Sn</b>		DATE 14.07.2010		DRAWING TITLE <b>Datasheet Iris-lens</b>		
CHECKED BY <b>ol</b>		DATE 14.07.2010		SIZE <b>A4</b>	DRAWING NUMBER -	REV <b>1</b>
DESIGNED BY <b>pv</b>		DATE 14.07.2010		SCALE <b>1:1</b>	WEIGHT (g)	SHEET <b>1/1</b>

© Ledil Oy - PRELIMINARY - Subject to change without prior notice