

STRADA-T-DW-XP LENSES FOR CREE XP-E LEDs



- Specially designed for Cree XP-E series of LEDs.
- New extremely wide SIDE-EMITTING design with very and uniform light distribution. Planned to be used mixed with Strada-T-DN lenses for optimal streetlight patterns.
- ASYMMETRICAL design with excellent usable efficiency and beam control.
- Efficiently and easily fulfilling different requirements for urban and road lighting when used together with Strada-T-DN.
- Comes with integrated positioning pins.
- Lens material optical grade PMMA. Allows use of high current and temperature conditions
- Best available optical efficiency, approximately 92%.
- Fastening to heat sink with or without PU foam adhesive tape of automotive grade, please select which suits the best for your needs.

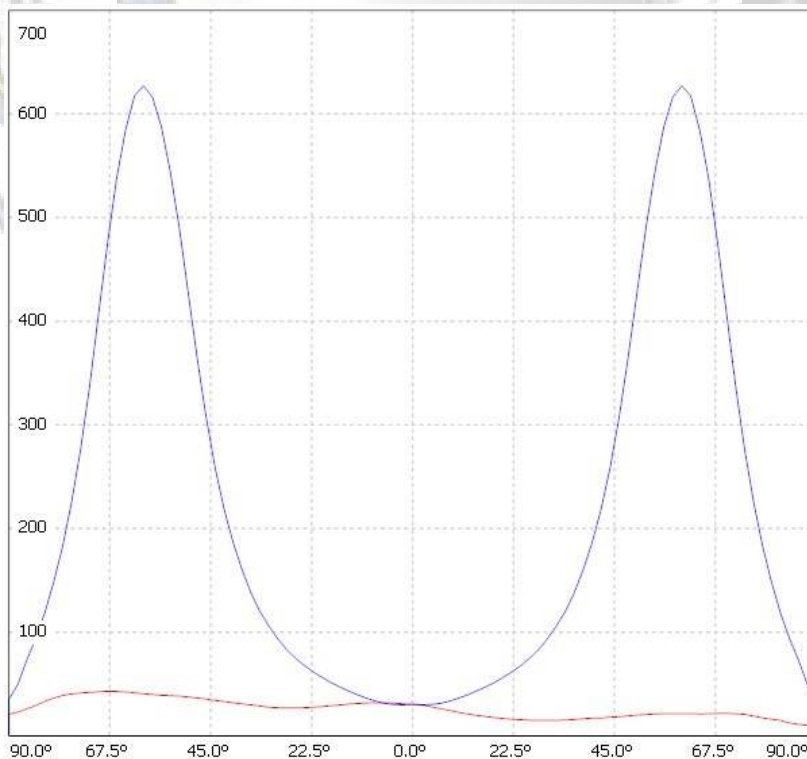
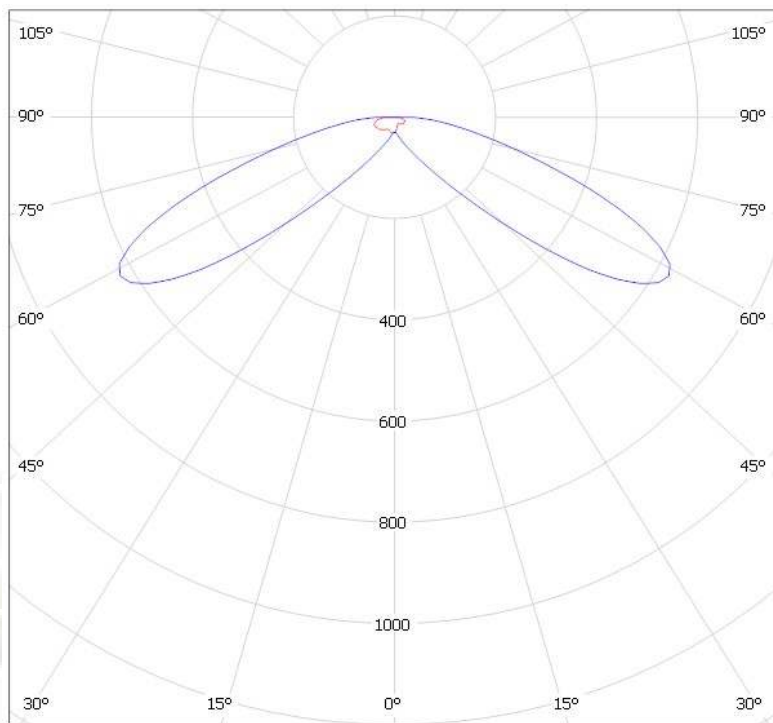
LENS TYPES

NAME	ORDERING CODE	FWHM Angle
Strada-T-DW-XP	C11425_Strada-T-DW-XP	approx. $\pm 72^\circ$
Strada-T-DW-XP-TAPE	CA11426_Strada-T-DW-XP -tape	approx. $\pm 72^\circ$

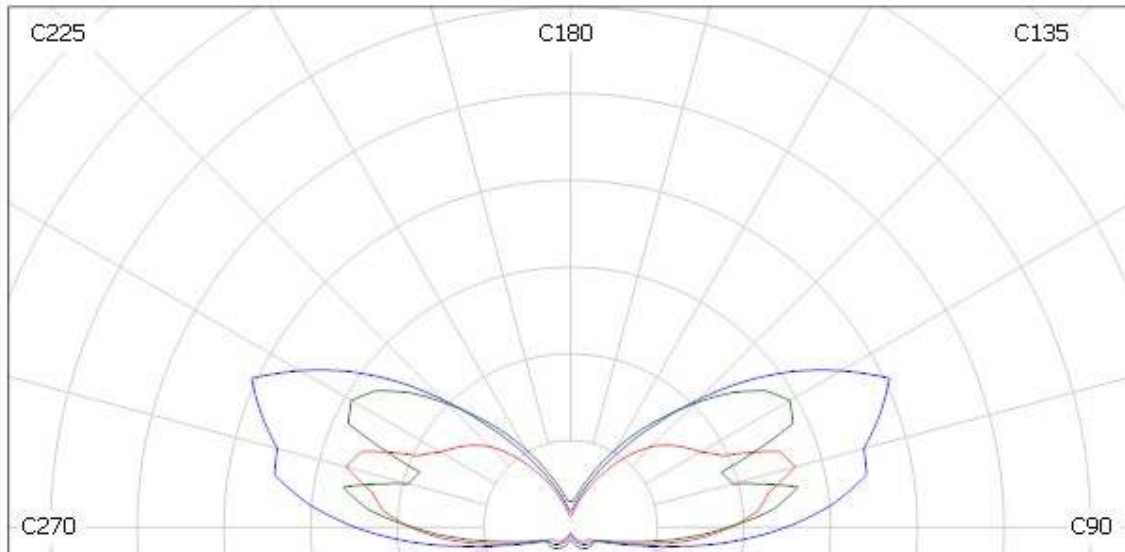
Eulumdat & IES files available by request.

© Ledil Oy – PRELIMINARY - Subject to change without prior notice

MEASUREMENT DATA & DRAWING



© Ledil Oy – PRELIMINARY - Subject to change without prior notice

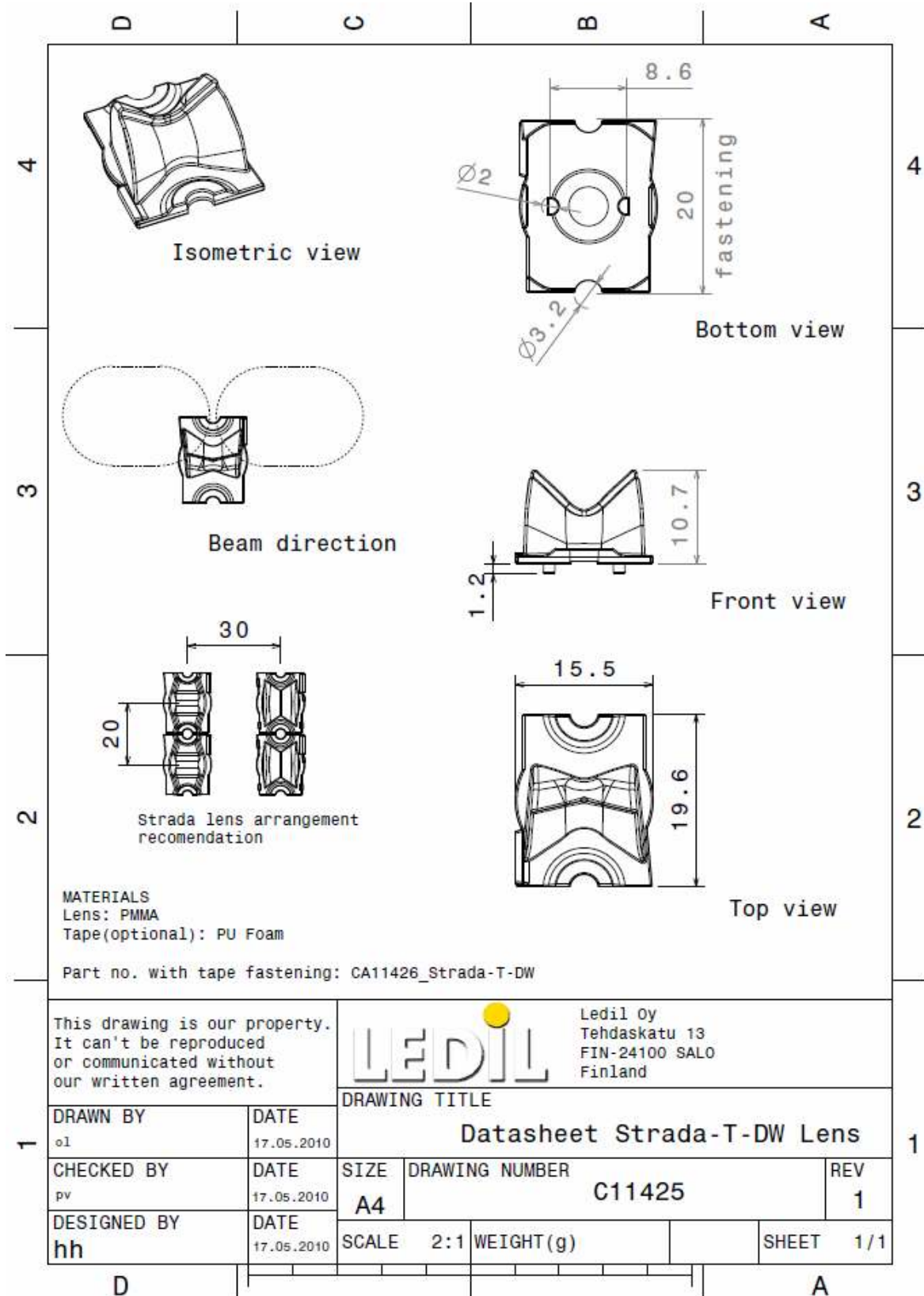


© Ledil Oy – PRELIMINARY - Subject to change without prior notice

Ledil Oy
Tehdaskatu 13
FIN-24100 SALO, Finland

www.ledil.com
email: ledil@ledil.com
FAX: +358-2-733 8001

2010-06-17



© Ledil Oy – PRELIMINARY - Subject to change without prior notice