

STRADA-S-XP-G LENSES FOR CREE XP-G LEDs



- Specially designed for Cree XP-G series of LEDs.
- New extremely wide SIDE-EMITTING design.
- Comes with integrated positioning pins.
- Lens material optical grade PMMA. Allows use of high current and temperature conditions
- Best available optical efficiency, approximately 92%.
- Fastening to heat sink with or without PU foam adhesive tape of automotive grade, please select which suits the best for your needs.

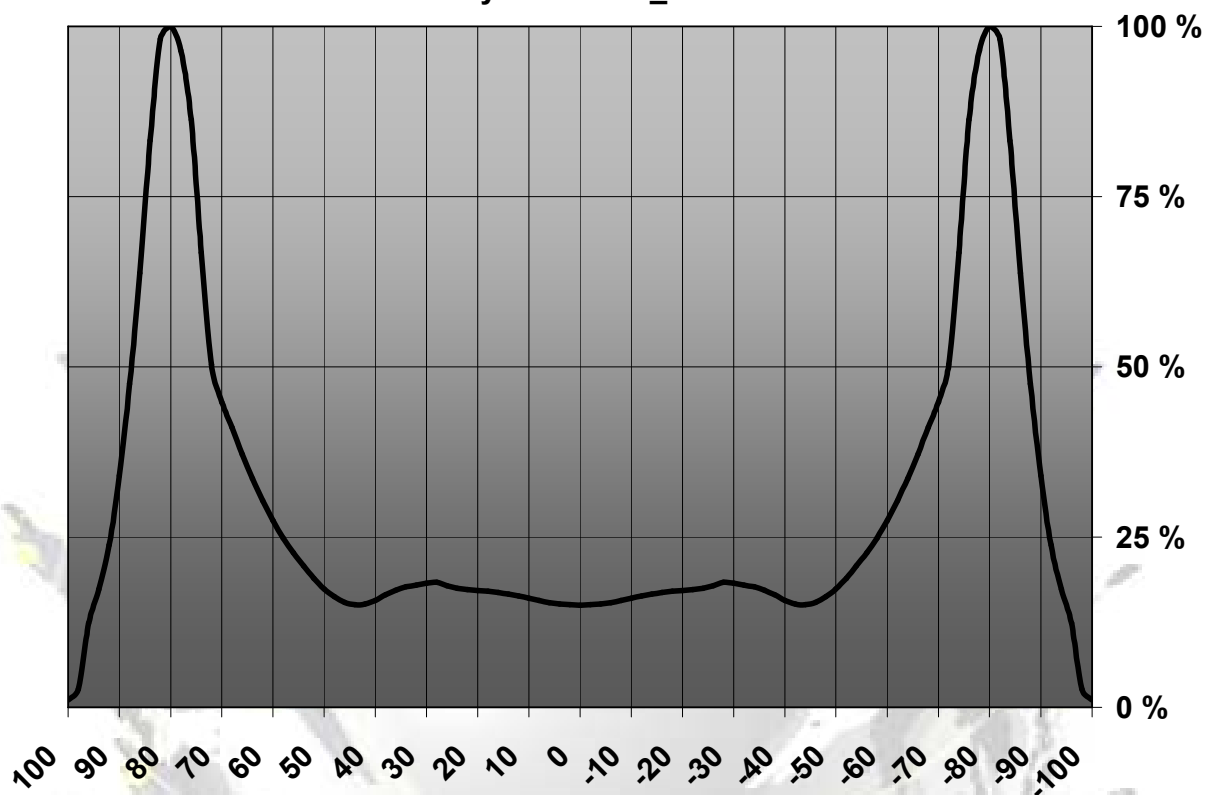
LENS TYPES

NAME	ORDERING CODE	FWHM Angle
Strada-S-XP-G	C11249_Strada-S-XP-G	±72° & ±88°
Strada-S-XP-G-TAPE	CA11248_Strada-S-XP-G-tape	±72° & ±88°

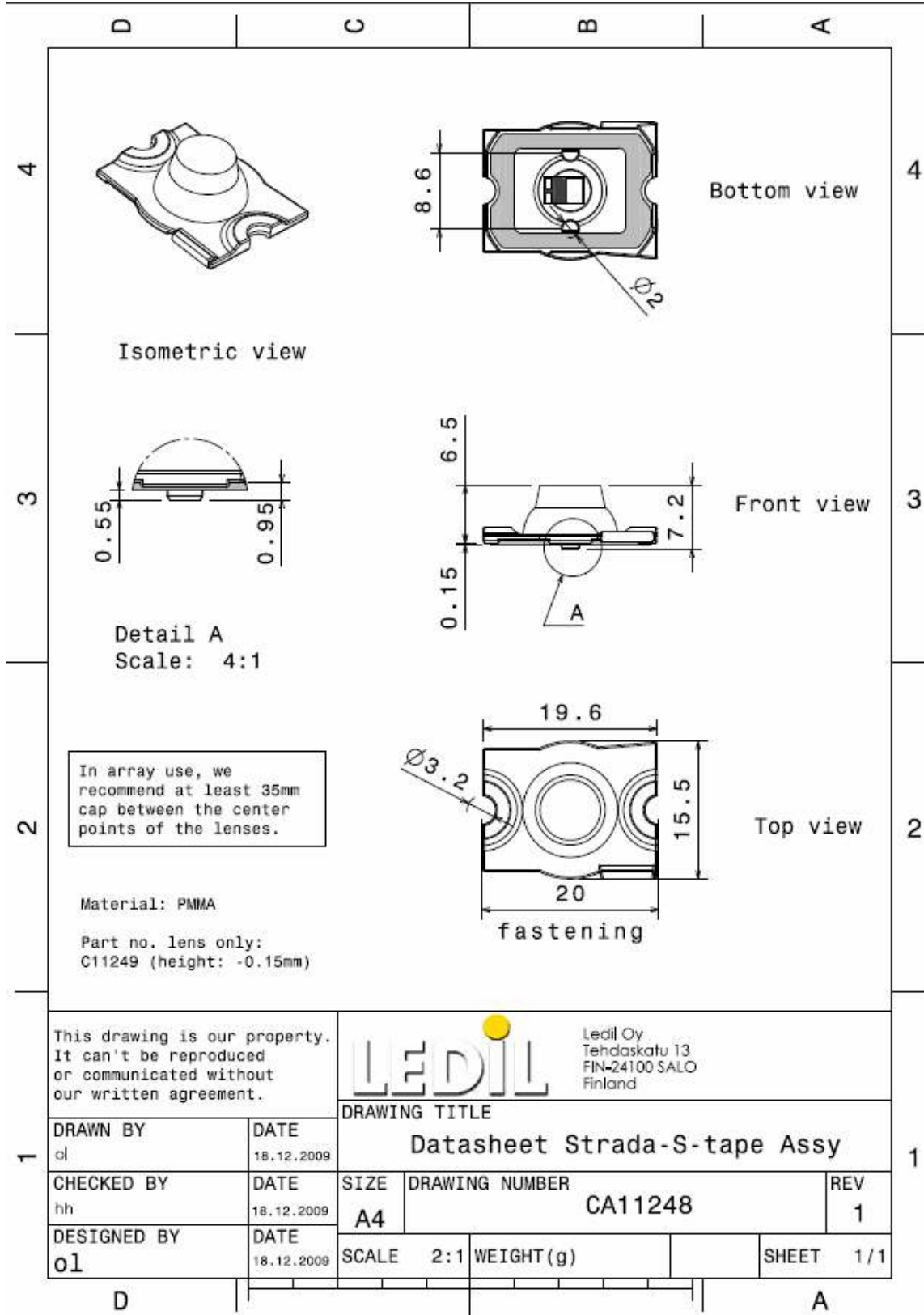
© Ledil Oy – PRELIMINARY - Subject to change without prior notice

MEASUREMENT DATA & DRAWING

Relative Intensity of C11249_Strada-S-XP-G



© Ledil Oy – PRELIMINARY - Subject to change without prior notice



© Ledil Oy - PRELIMINARY - Subject to change without prior notice