

FULLY SEALABLE HEIDI-XP-G lenses for CREE XP-G LEDs



- Specially designed for Cree XLAMP XP-G series of LEDs.
- Lens material optical grade PMMA with high UV and temperature resistance (105°C/220°F)
- High optical efficiency, up to 90%
- No lens holder. Fastening to heat sink with a PU foam adhesive tape of automotive grade
- Lens foot can be potted with resin without losses in optical efficiency (**fully sealed construction** of luminaire possible)
- Diameter 21.6 mm

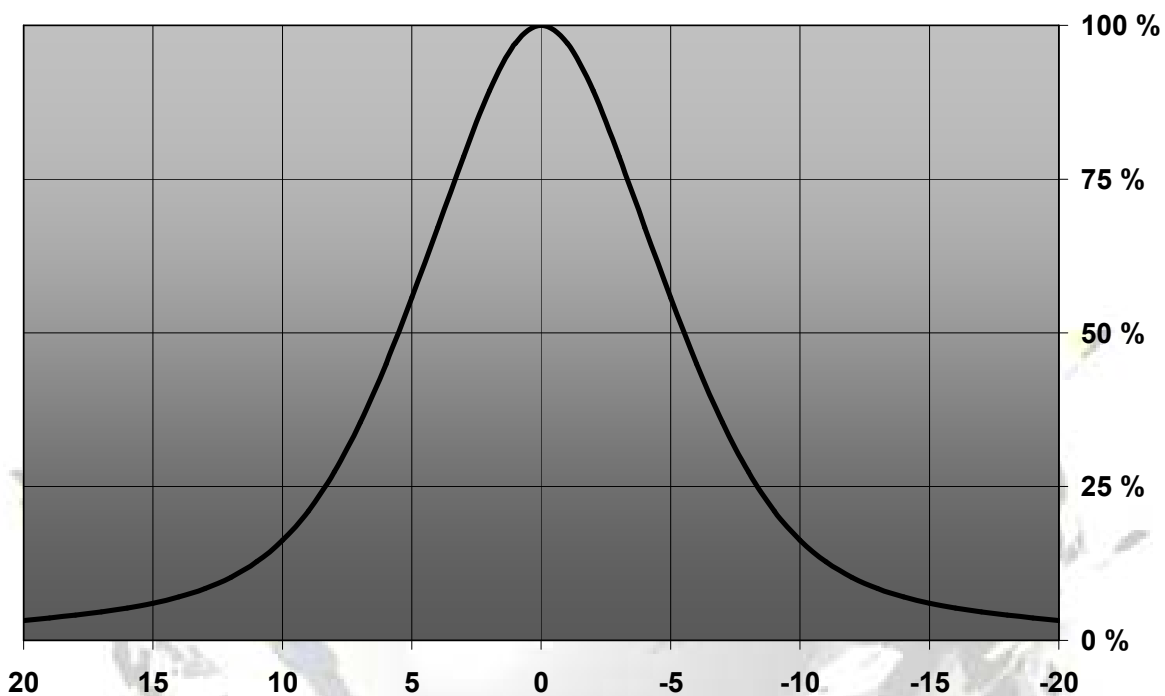
LENS TYPES

NAME	ORDERING CODE	FWHM Angle
HEIDI diffuser	CA11264_Heidi-D-XP-G	±6°
HEIDI medium	CA11265_Heidi-M-XP-G	Coming soon
HEIDI oval	CA11266_Heidi-O-XP-G	Coming soon

© Ledil Oy – Subject to change without prior notice

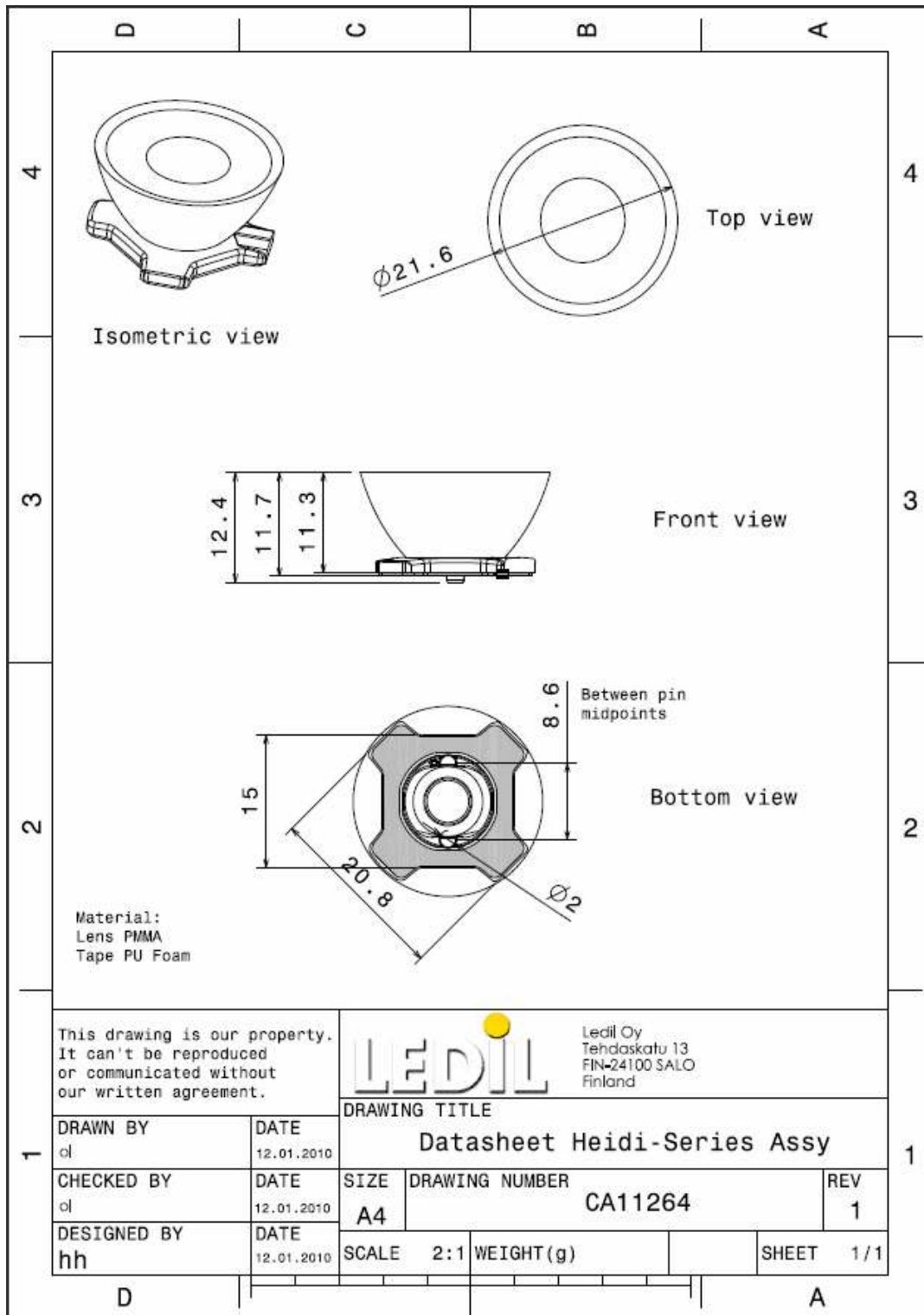
MEASUREMENTS

Relative Intensity of CA11264_Heidi-D-XP-G



© Ledil Oy – Subject to change without prior notice

DRAWINGS



© Ledit Oy – Subject to change without prior notice