

## STRADA-DW-MX6 LENSES FOR CREE MX-6 LEDs



- Specially designed for Cree MX-6 series of LEDs.
- New extremely wide SIDE-EMITTING design with very and uniform light distribution.
- Comes with integrated positioning pins.
- Lens material optical grade PMMA. Allows use of high current and temperature conditions
- Best available optical efficiency, approximately 92%.
- Fastening to heat sink with or without PU foam adhesive tape of automotive grade, please select which suits the best for your needs.

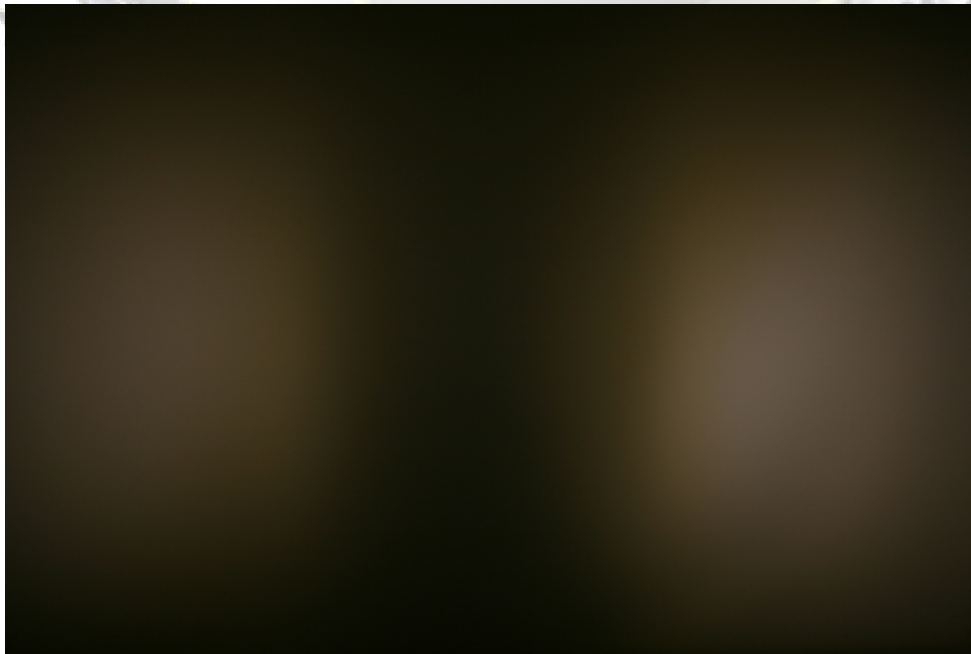
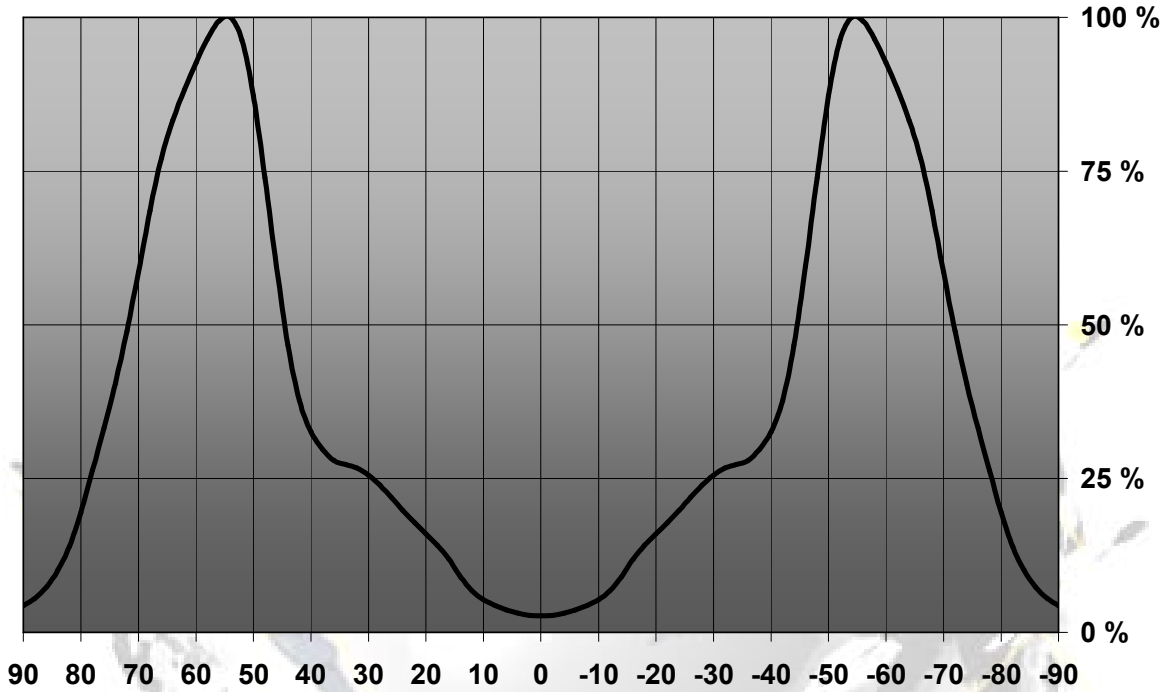
### LENS TYPES

NAME	ORDERING CODE	FWHM Angle
Strada-DW-XP	C11242_Strada-DW-MX6	±45° x ±72°
Strada-DW-XP-TAPE	CA11243_Strada-DW-MX6-tape	±45° x ±72°

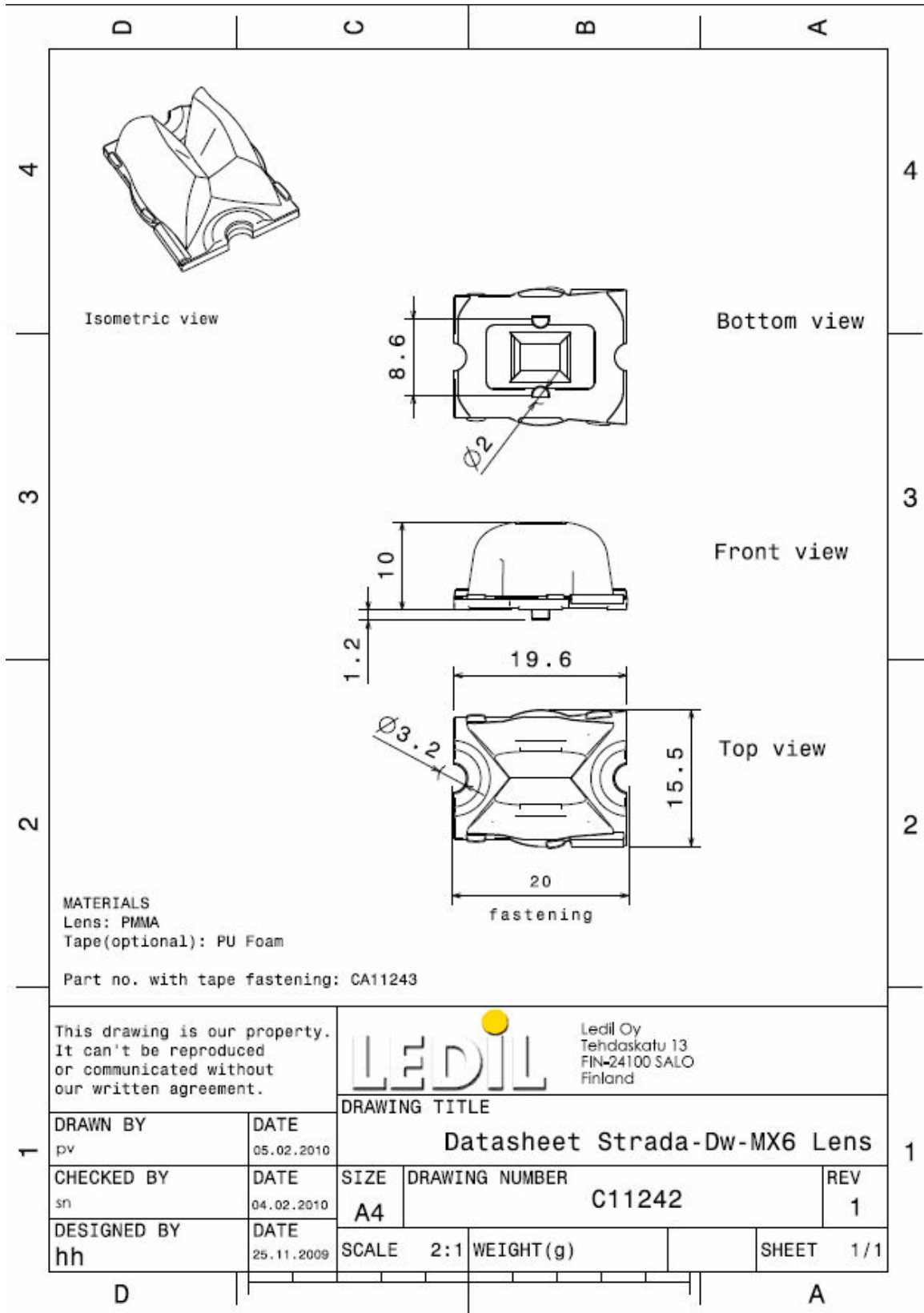
© Ledil Oy – PRELIMINARY - Subject to change without prior notice

## MEASUREMENT DATA & DRAWING

Relative Intensity of C11242\_Strada-DW-MX6



© Ledil Oy – PRELIMINARY - Subject to change without prior notice



© Ledil Oy – PRELIMINARY - Subject to change without prior notice