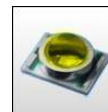


## STRADA-C-XR LENSES FOR CREE XR-E LEDs



- Specially designed for Cree XR-E series of LEDs.
- New extremely wide street light design with a batwing effect.
- Special care taken to make a uniform white or warm white illumination. Lenses work well with other colors, too.
- Lens material optical grade PMMA. Allows use of high current and temperature conditions (105°C/220°F)
- Best available optical efficiency, approximately 95%.
- Fastening to heat sink with or without PU foam adhesive tape of automotive grade, please select which suits the best for your needs.

### LENS TYPES

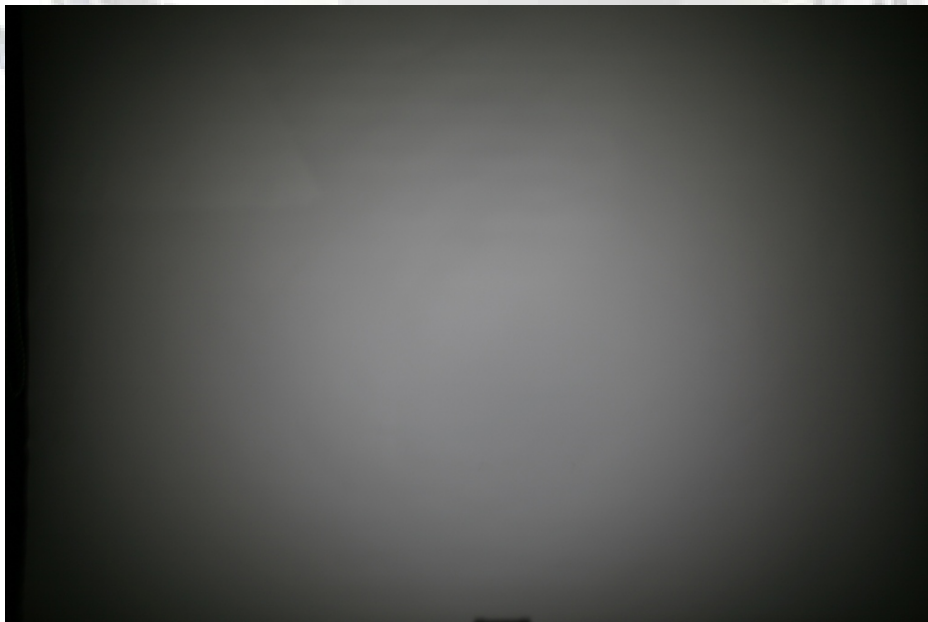
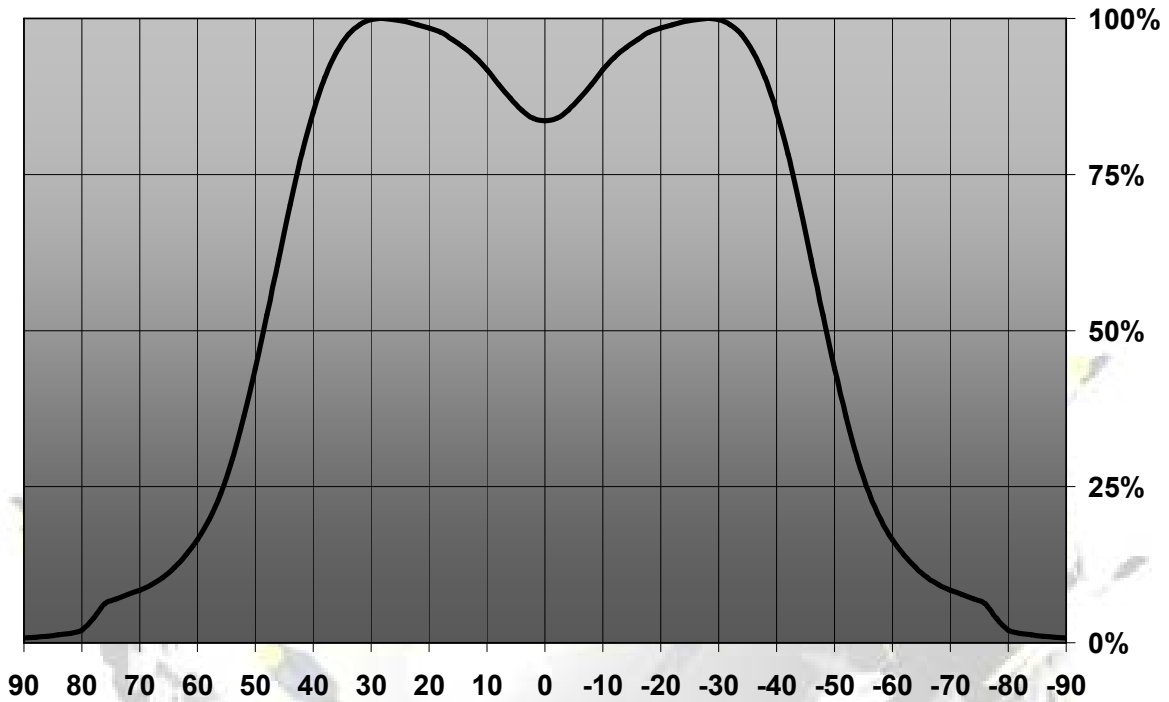
NAME	ORDERING CODE	FWHM Angle
Strada-C-XR	C10966_Strada-C-XR	±49°
Strada-C-XR-TAPE	CA10967_Strada-C-XR-tape	±49°

EULUMDAT & IES FILES AVAILABLE BY REQUEST

© Ledil Oy – PRELIMINARY - Subject to change without prior notice

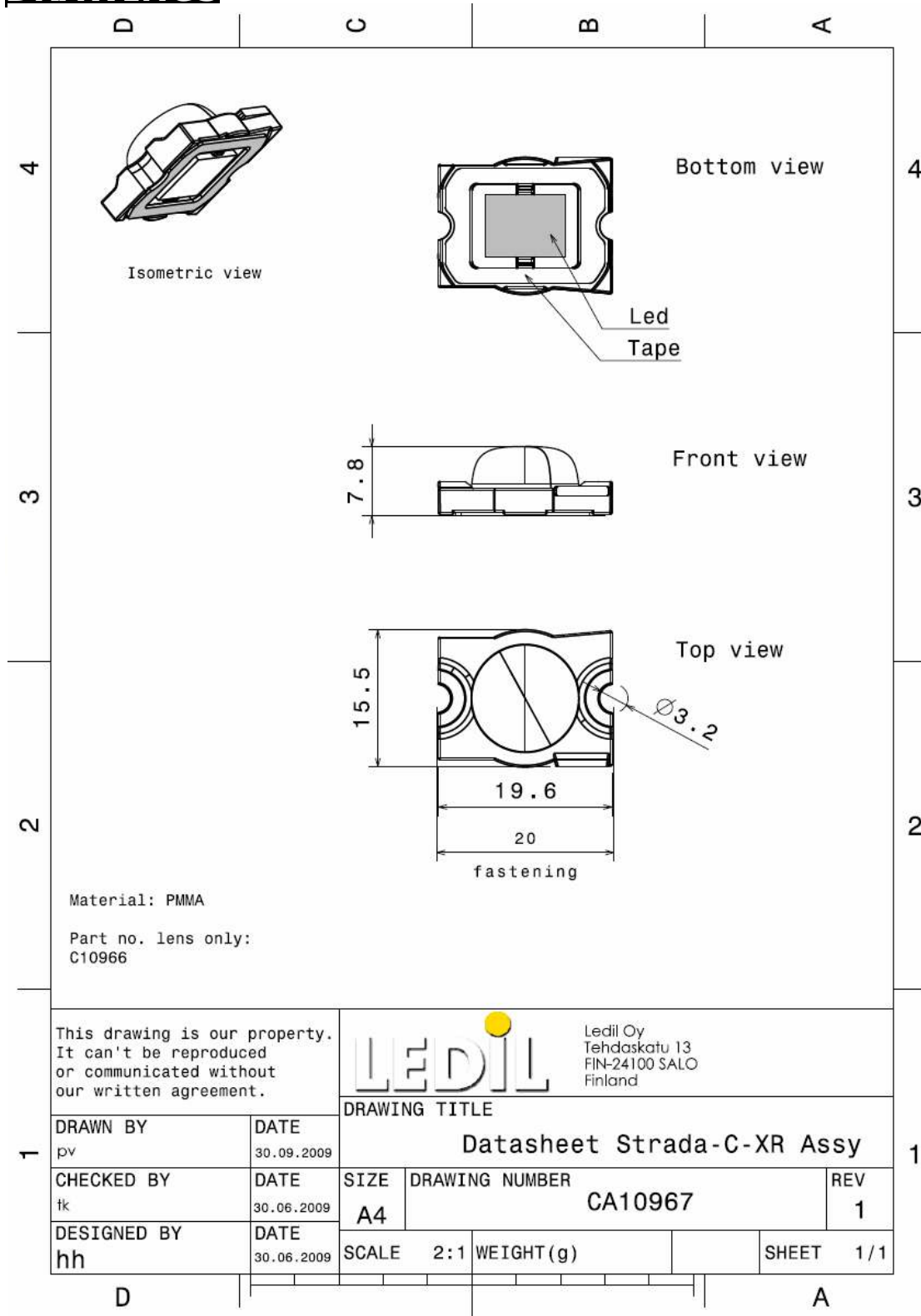
**MEASUREMENT DATA**

Relative Intensity of C10966\_Strada-C-XR



© Ledil Oy – PRELIMINARY - Subject to change without prior notice

## DRAWINGS



This drawing is our property. It can't be reproduced or communicated without our written agreement.



Ledil Oy  
Tehdaskatu 13  
FIN-24100 SALO  
Finland

DRAWING TITLE

Datasheet Strada-C-XR Assy

DRAWN BY pv	DATE 30.09.2009
CHECKED BY tk	DATE 30.06.2009
DESIGNED BY hh	DATE 30.06.2009

SIZE A4	DRAWING NUMBER CA10967	REV 1
SCALE 2:1	WEIGHT (g)	SHEET 1/1