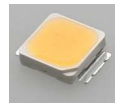


## STRADA-C-MX6 LENSES FOR CREE MX6 LEDs



- Specially designed for Cree MX6 series of LEDs.
- New extremely wide BATWING design with very and uniform light distribution.
- Comes with integrated positioning pins.
- Lens material optical grade PMMA. Allows use of high current and temperature conditions
- Best available optical efficiency, approximately 92%.
- Fastening to heat sink with or without PU foam adhesive tape of automotive grade, please select which suits the best for your needs.

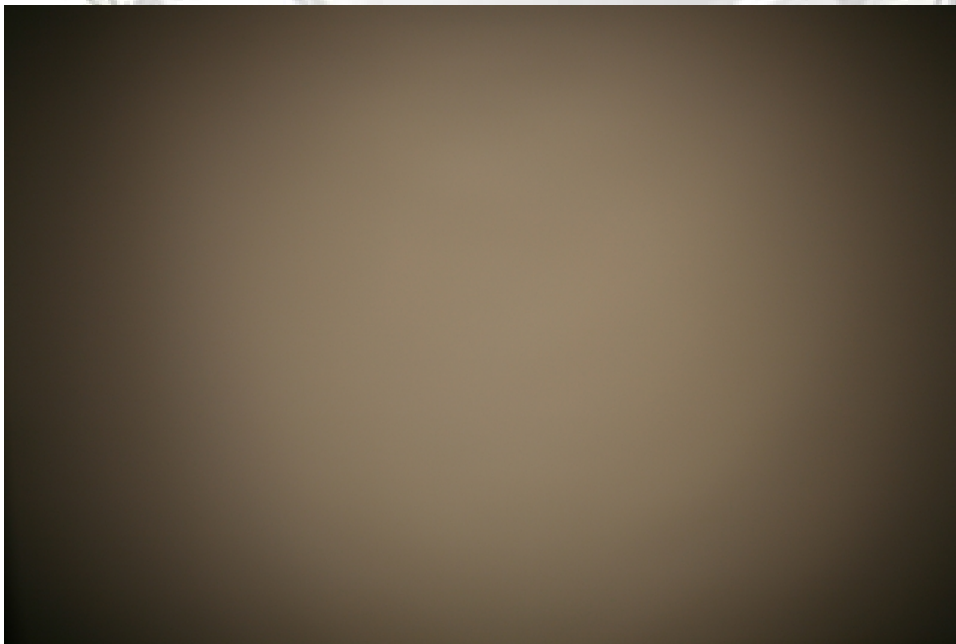
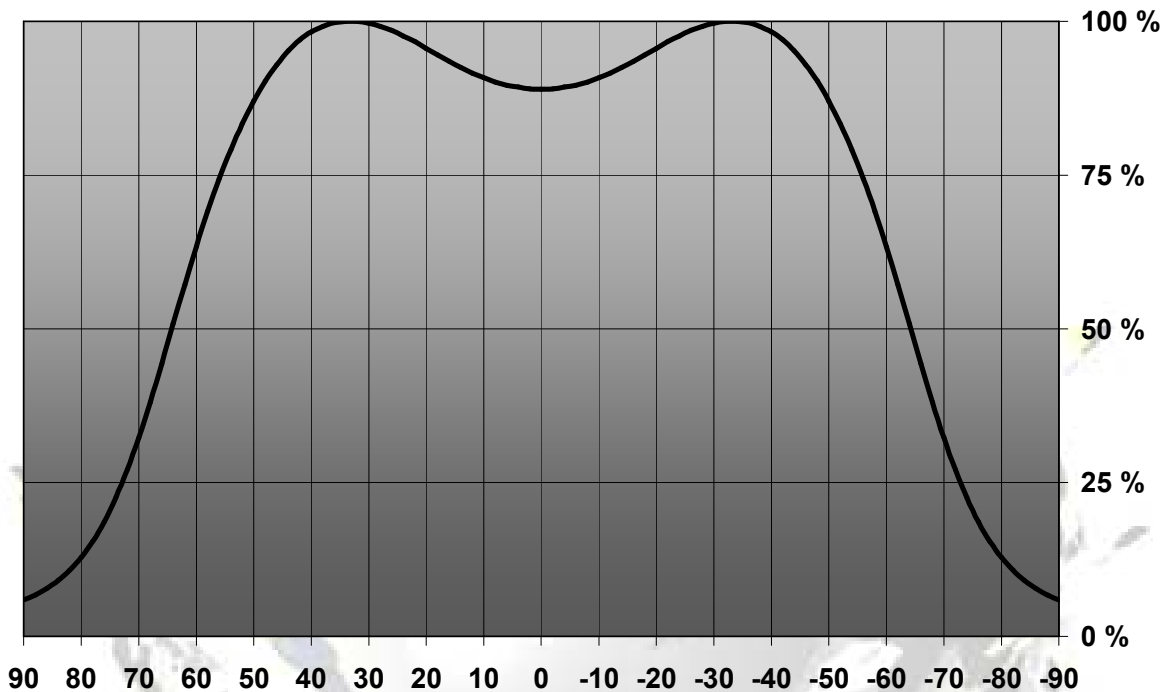
## LENS TYPES

NAME	ORDERING CODE	FWHM Angle
Strada-C-6N83	C11277_Strada-C-6N83	±64°
Strada-C-6N83-TAPE	CA11348_Strada-C-6N83-tape	±64°

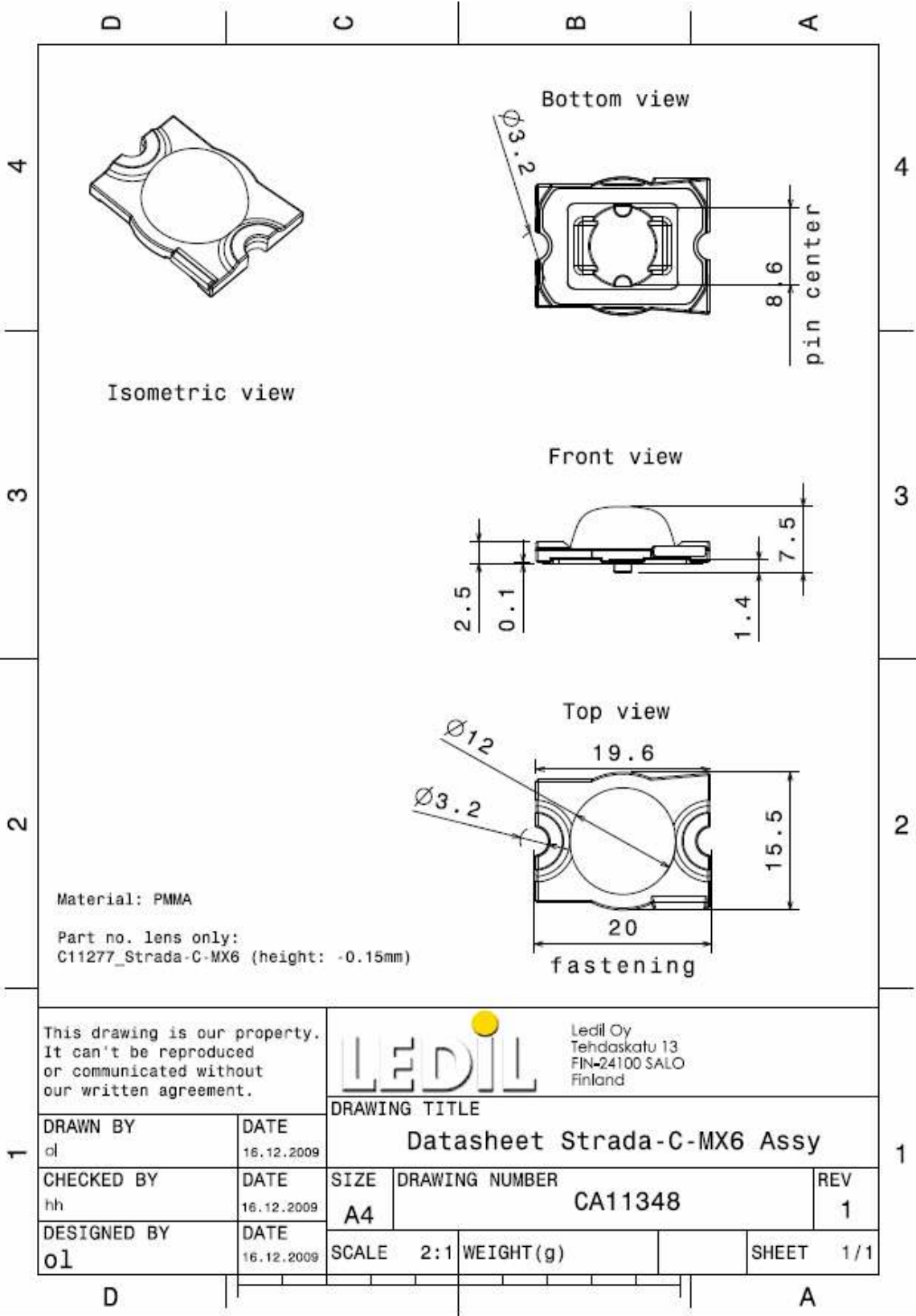
© Ledil Oy – PRELIMINARY - Subject to change without prior notice

**MEASUREMENT DATA & DRAWING**

Relative Intensity of C11277\_Strada-C-MX6



© Ledil Oy – PRELIMINARY - Subject to change without prior notice



© Ledil Oy - PRELIMINARY - Subject to change without prior notice