

MX6-6 lens for Cree MX-6 LEDs



- Specially designed for Cree MX-6 series of LEDs
- Lens material optical grade PMMA with high UV and temperature resistance (105°C/220°F)
- Special care taken to make a uniform white or warm white illumination. Best available optical efficiency, up to >90%
 - No lens holder. Attaching of the lens to customer's heat sink by gluing. For detailed mounting information, please look at the drawing
 - Diameter 50mm (MR16)

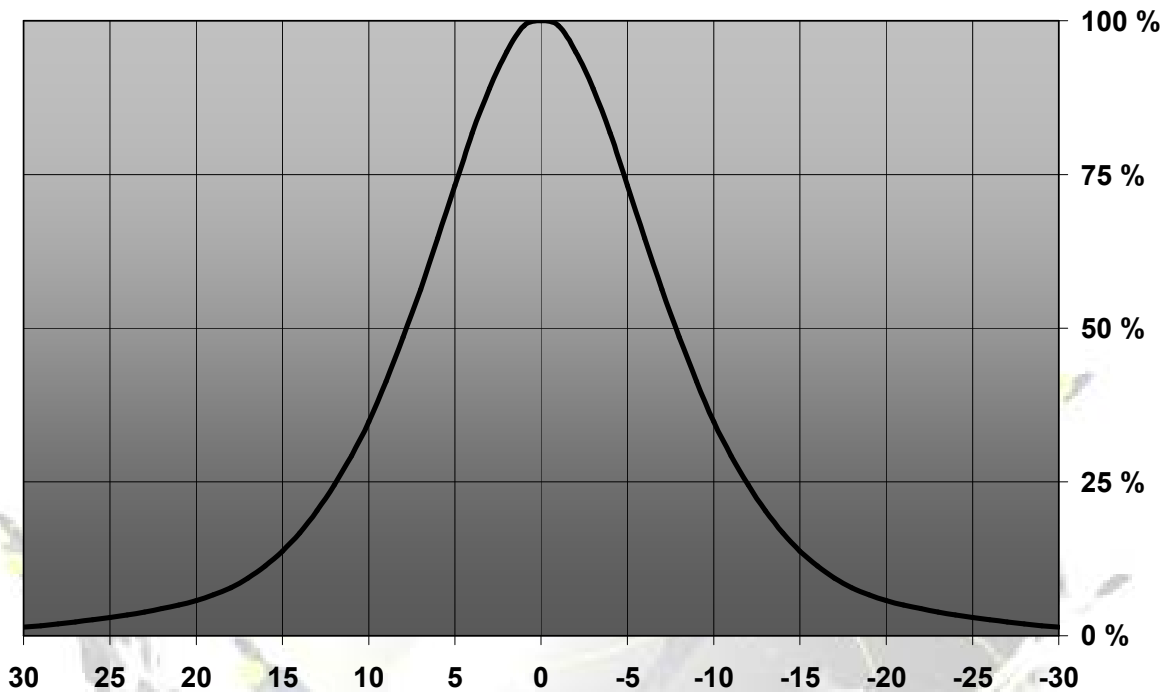
LENS TYPES

NAME	ORDERING CODE	FWHM Angle
MX6-6 Spot	C10535_MX6-6-S	±8°

© Ledil Oy – PRELIMINARY - Subject to change without prior notice

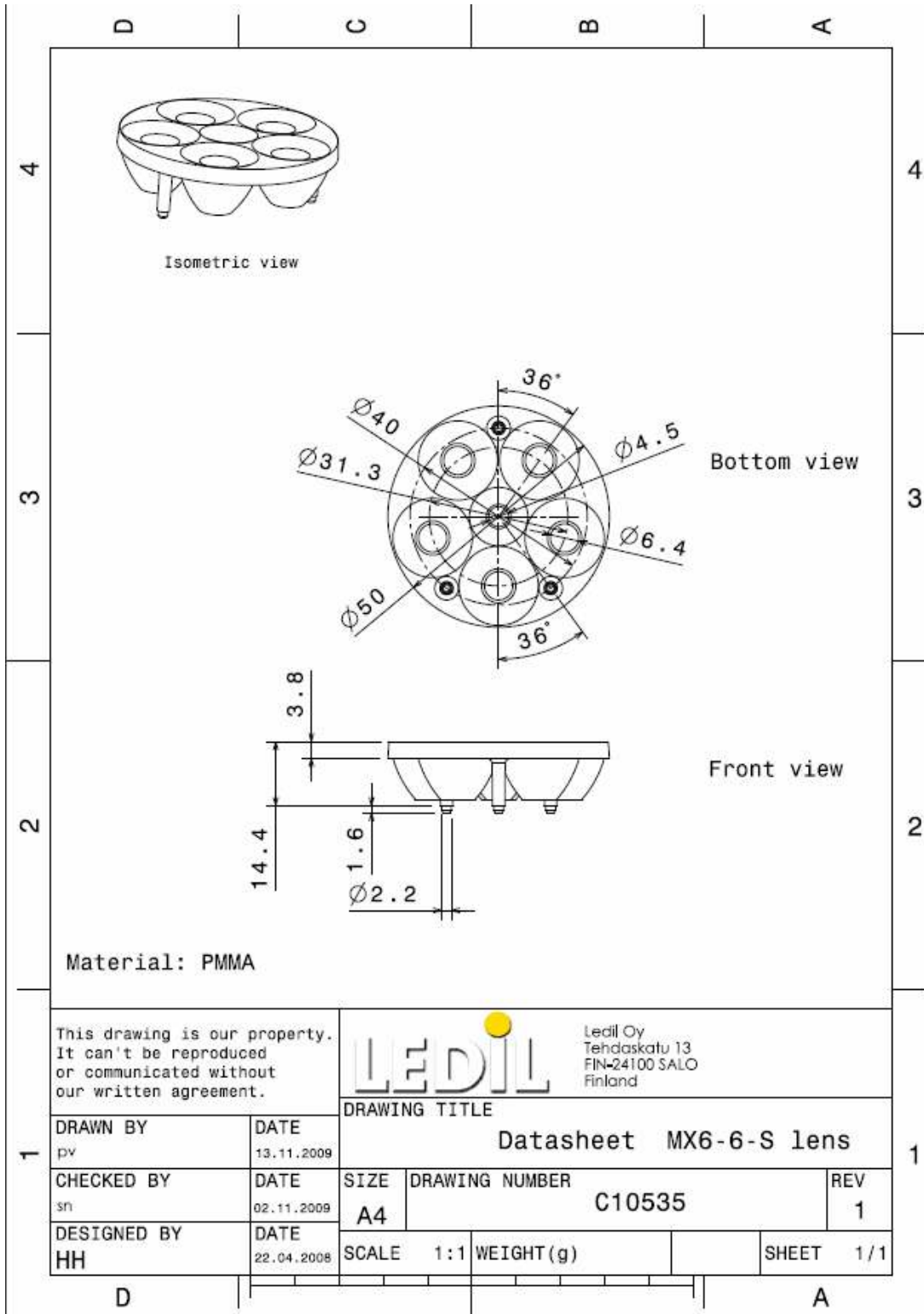
MEASUREMENT DATA

Relative Intensity of C10535_MX6-6-S



© Ledil Oy – PRELIMINARY - Subject to change without prior notice

DRAWINGS



© Ledit Oy - PRELIMINARY - Subject to change without prior notice