

MX6-4 quad lenses for Cree MX-6 LEDs



- Designed for Cree MX-6 LEDs.
- Lens material optical grade PMMA with high UV and temperature resistance (105°C/220°F)
- High optical efficiency, >85%
- No lens holder. Fastening to heat sink with droplets of glue. NOTE: legs go into the PCB by 1.2 mm only, do not go thru a normal MCPCB
- Diameter 50 mm (MR16)
- All 3 lens types have the same outer dimensions
- Mechanical CAD models available upon request

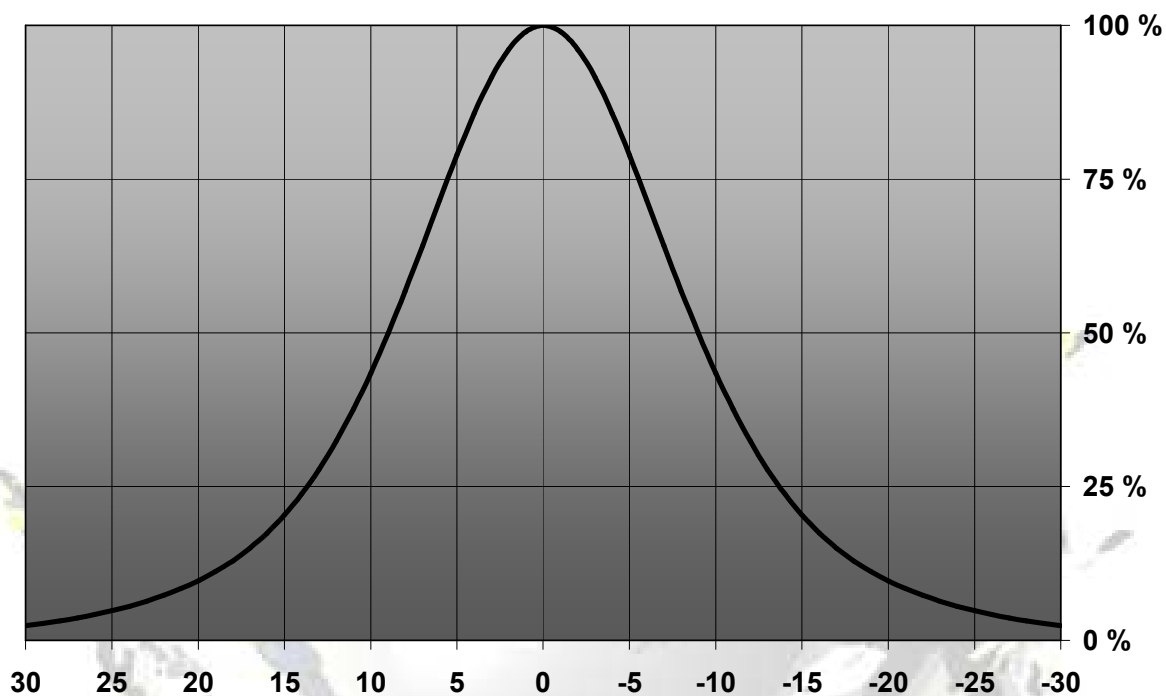
LENS TYPES

NAME	ORDERING CODE	FWHM Angle
MX6-4 spot	C10385_MX6-4-SS	±9°
MX6-4 medium	C10386_MX6-4-M	±11°
MX6-4 wide	C10387_MX6-4-W	±25°

© Ledil Oy – PRELIMINARY - Subject to change without prior notice

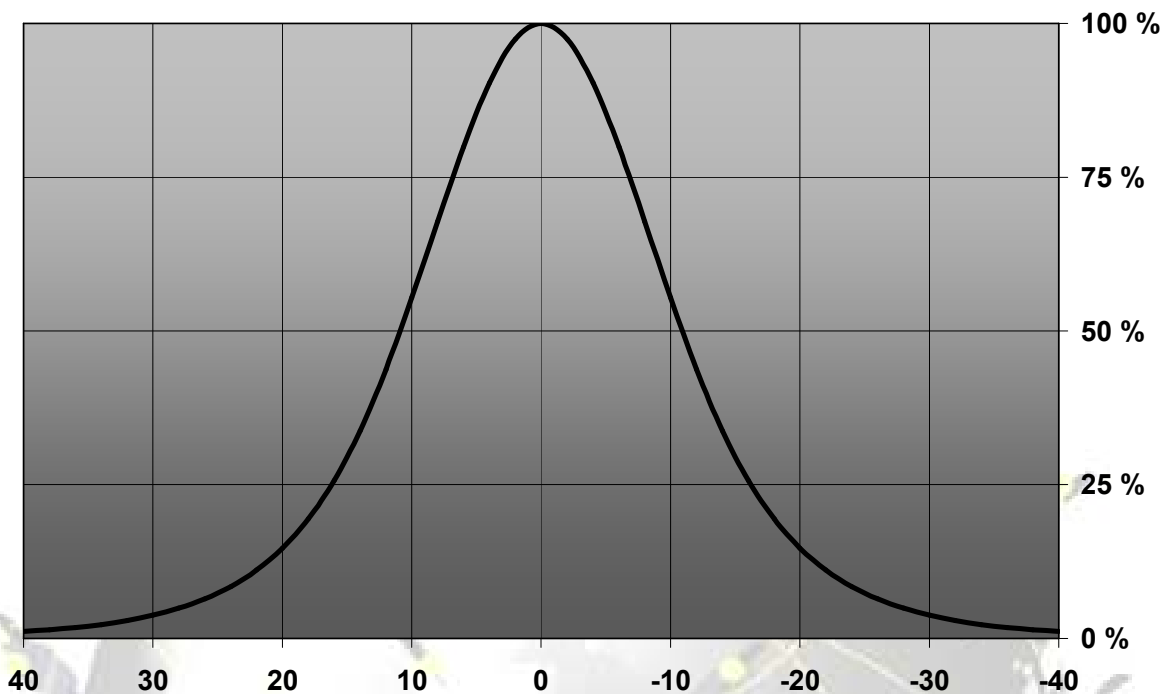
MEASUREMENT DATA

Relative Intensity of C10385_MX6-4-SS



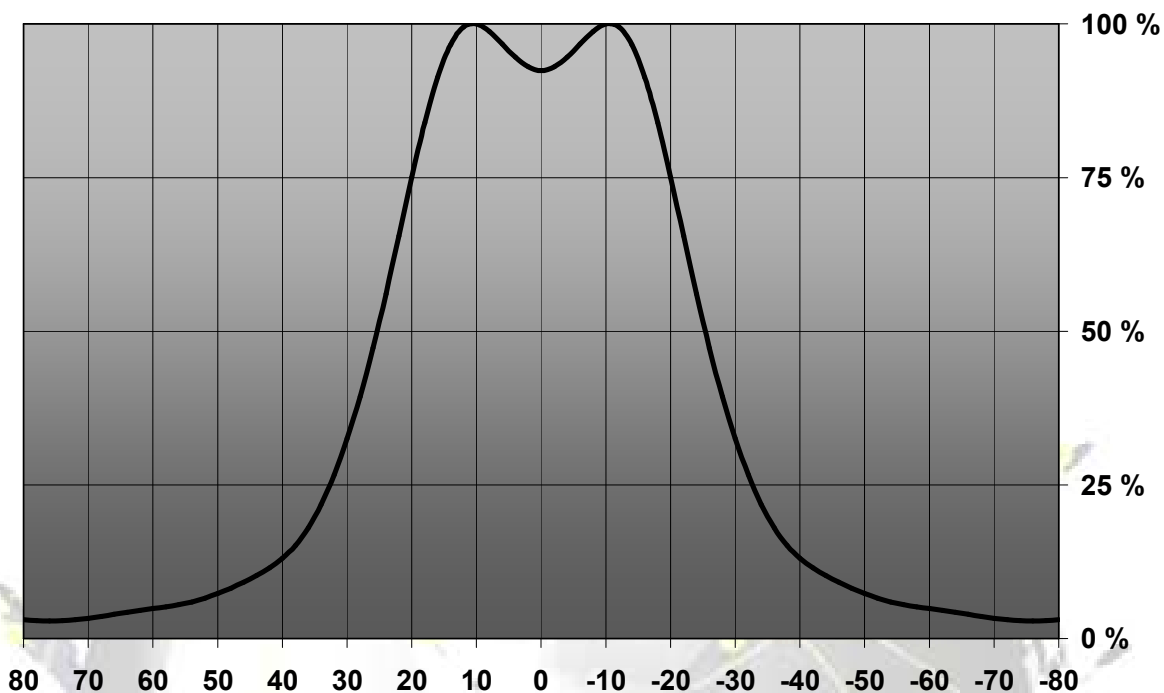
© Ledil Oy – PRELIMINARY - Subject to change without prior notice

Relative Intensity of C10386_MX6-4-M



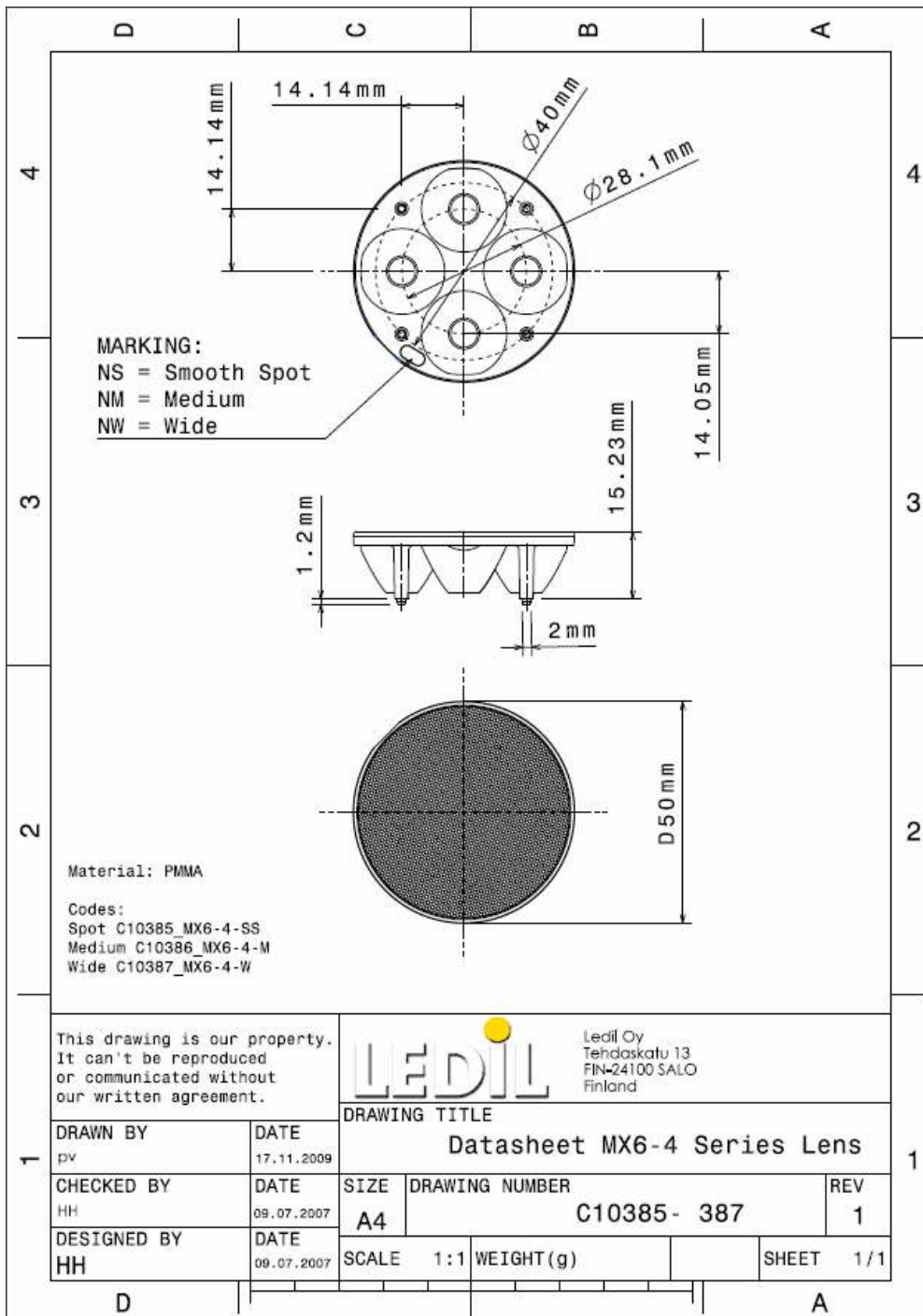
© Ledil Oy – PRELIMINARY - Subject to change without prior notice

Relative Intensity of C10387_MX6-4-W



© Ledil Oy – PRELIMINARY - Subject to change without prior notice

DRAWINGS



© Ledil Oy – PRELIMINARY - Subject to change without prior notice