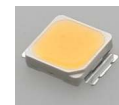


MX6-3 lenses for Cree MX-6 LEDs



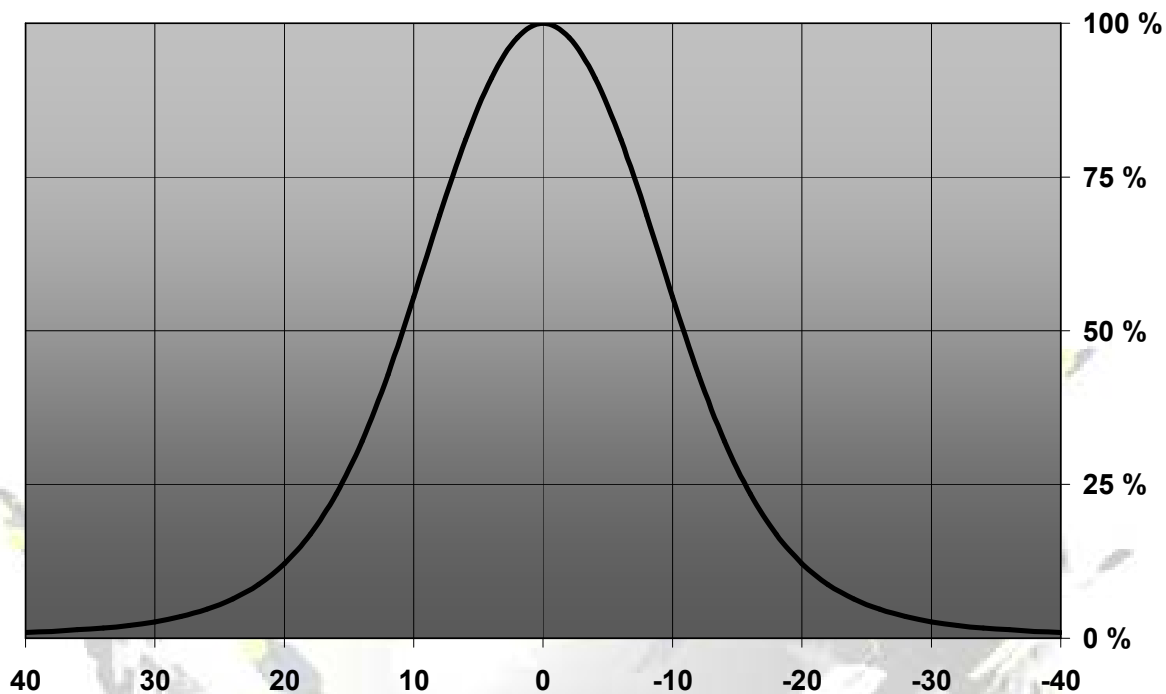
- Designed for Cree MX-6 LEDs.
- Lens material optical grade PMMA with high UV and temperature resistance (105°C/220°F)
- High optical efficiency, >85%
- No lens holder. Fastening to heat sink with droplets of glue or by heat staking of legs
- Diameter 50 mm (MR16)
- Mechanical CAD models available upon request
- Both lens types have the same outer dimensions.

LENS TYPES

NAME	ORDERING CODE	FWHM Angle
MX6-3 medium	C10436_MX6-3-M	±11°
MX6-3 wide	C10364_MX6-3-W	±25°

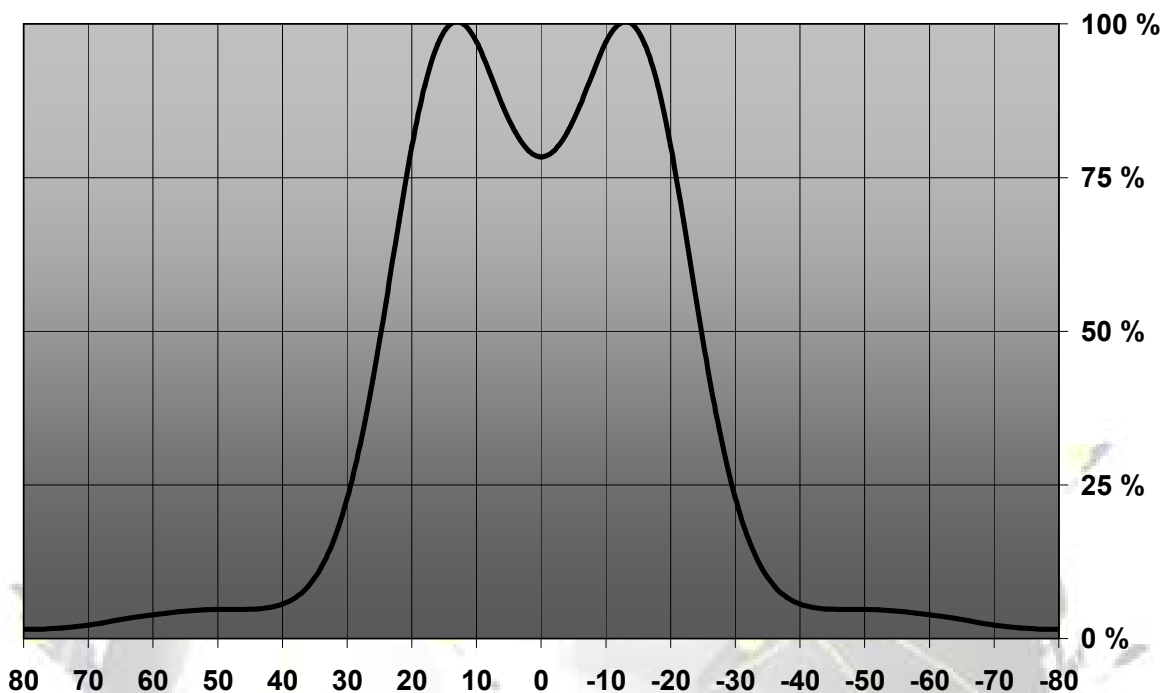
MEASUREMENT DATA

Relative Intensity of C10436_MX6-3-M



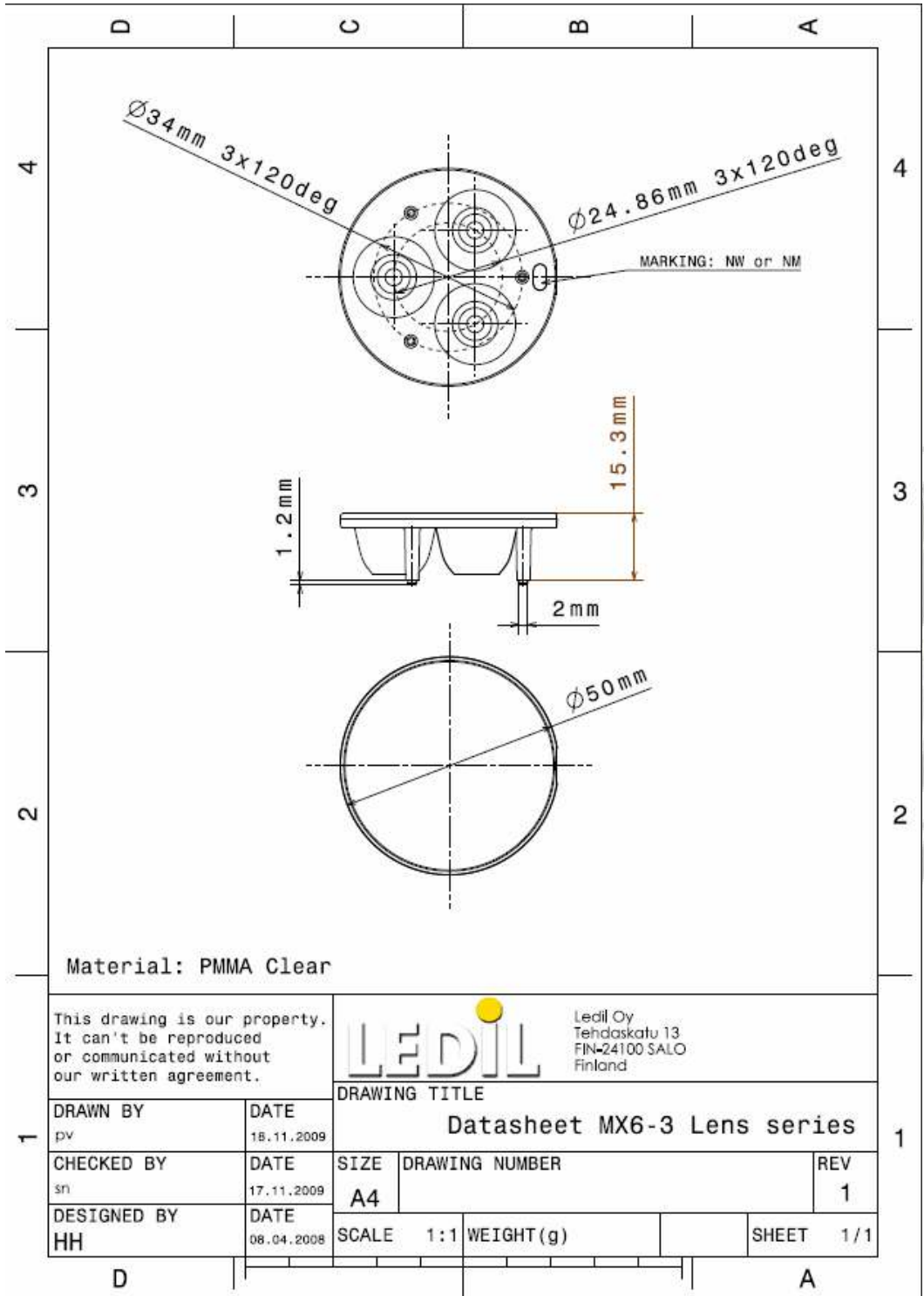
© Ledil Oy – PRELIMINARY - Subject to change without prior notice

Relative Intensity of C10364_MX6-3-W



© Ledil Oy – PRELIMINARY - Subject to change without prior notice

DRAWINGS



© Ledil Oy – PRELIMINARY - Subject to change without prior notice