

Lisa2-Clip16-XP-G miniature lens for Cree XP-G series of LEDs



- Lens material optical grade PMMA with high UV and temperature resistance (105°C/220°F). Lens holder molded of high quality black PC.
- High optical efficiency, up to 90%.
- Integrated holder with small snap clips. See drawing below for more details. Fastening of holden the lens to PCB.
- Very small and compact dimensions: Diameter 9.9 mm, height 6.8 mm.

LENS TYPES

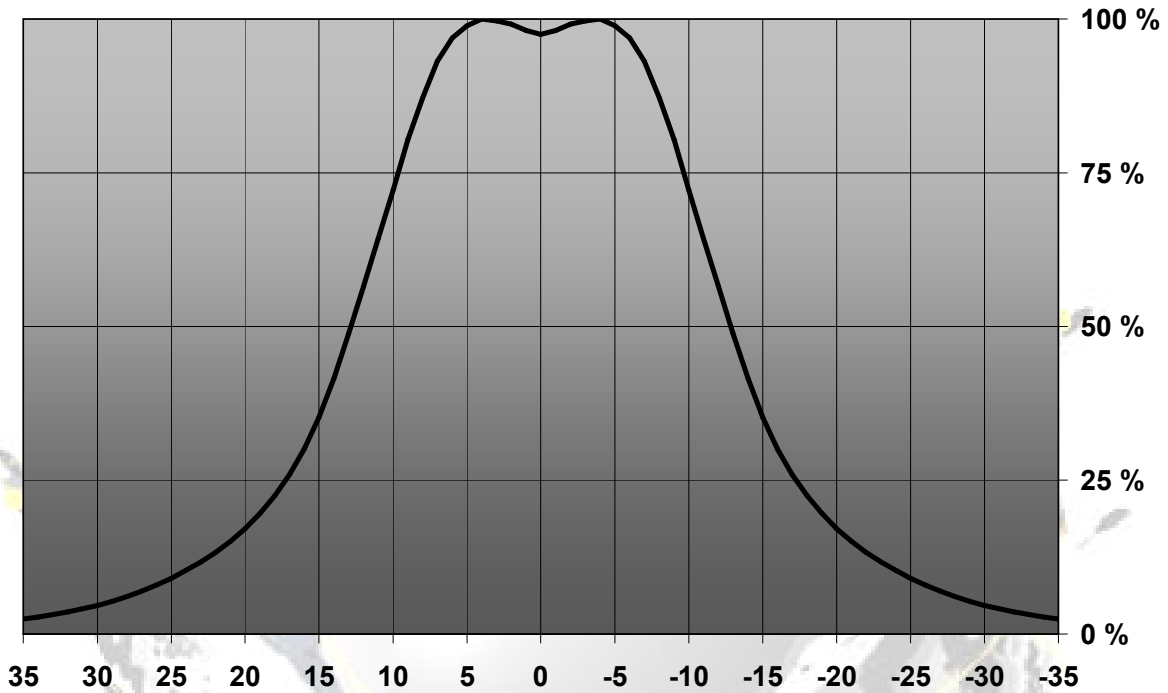
NAME	ORDERING CODE	FWHM Angle
Lisa2-Clip16 Real Spot	FA11055_Lisa2-RS-Clip16-XP-G	±13°
Lisa2-Clip16 Medium	FA10995_Lisa2-M-Clip16-XP-G	±17°
Lisa2-Clip16 Oval	FA11125_Lisa2-O-Clip16-XP-G	~±5° x ~16°
Lisa2-Clip16 Wide	FA10996_Lisa2-W-Clip16-XP-G	±24°

~ results are based on simulation value.

© Ledil Oy – PRELIMINARY - Subject to change without prior notice

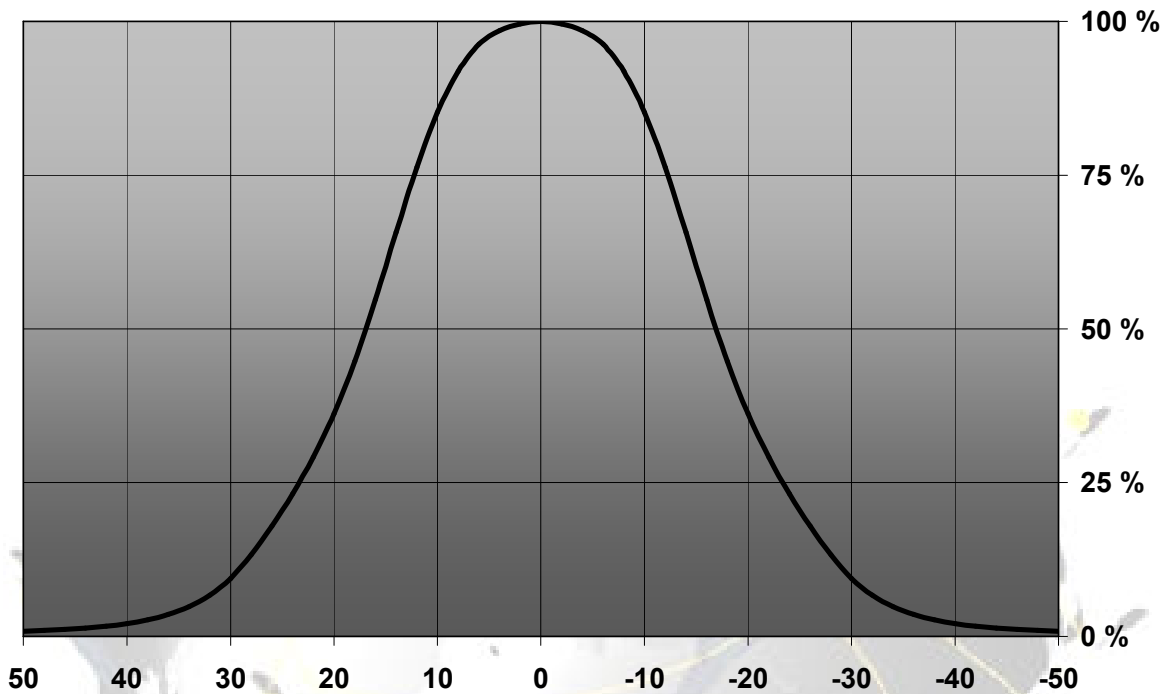
MEASUREMENT DATA

Relative Intensity of FA11055_Lisa2-RS-Pin-XP-G

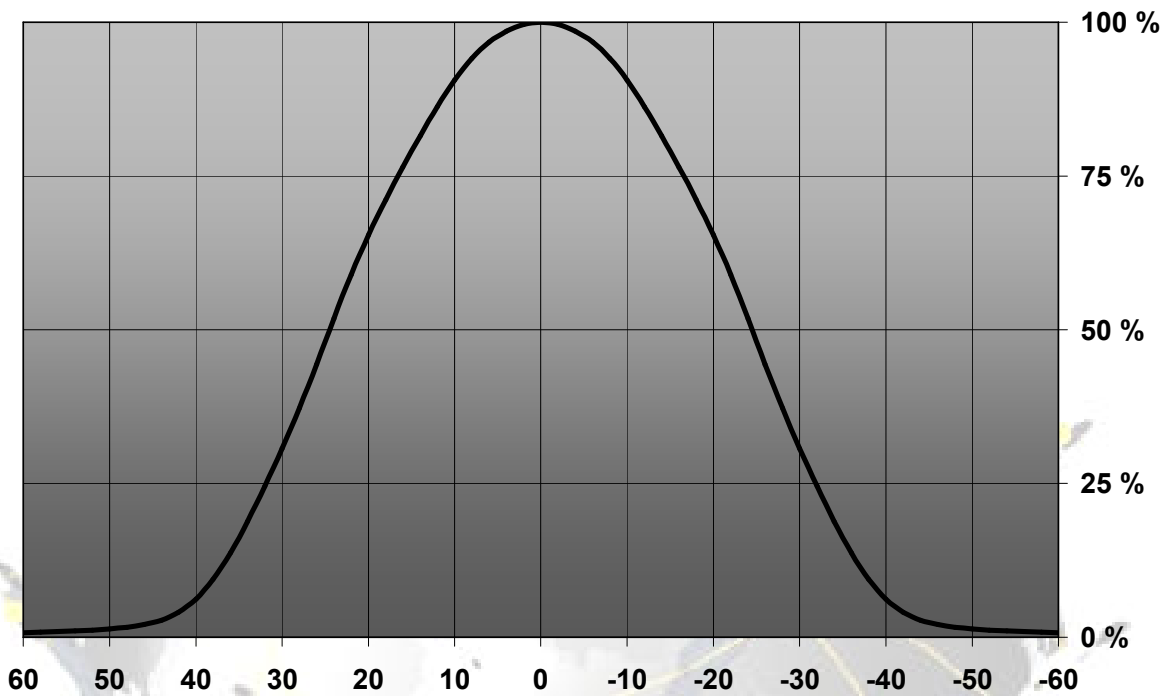


© Ledil Oy – PRELIMINARY - Subject to change without prior notice

Relative Intensity of FA10995_Lisa2-M-Pin-XP-G

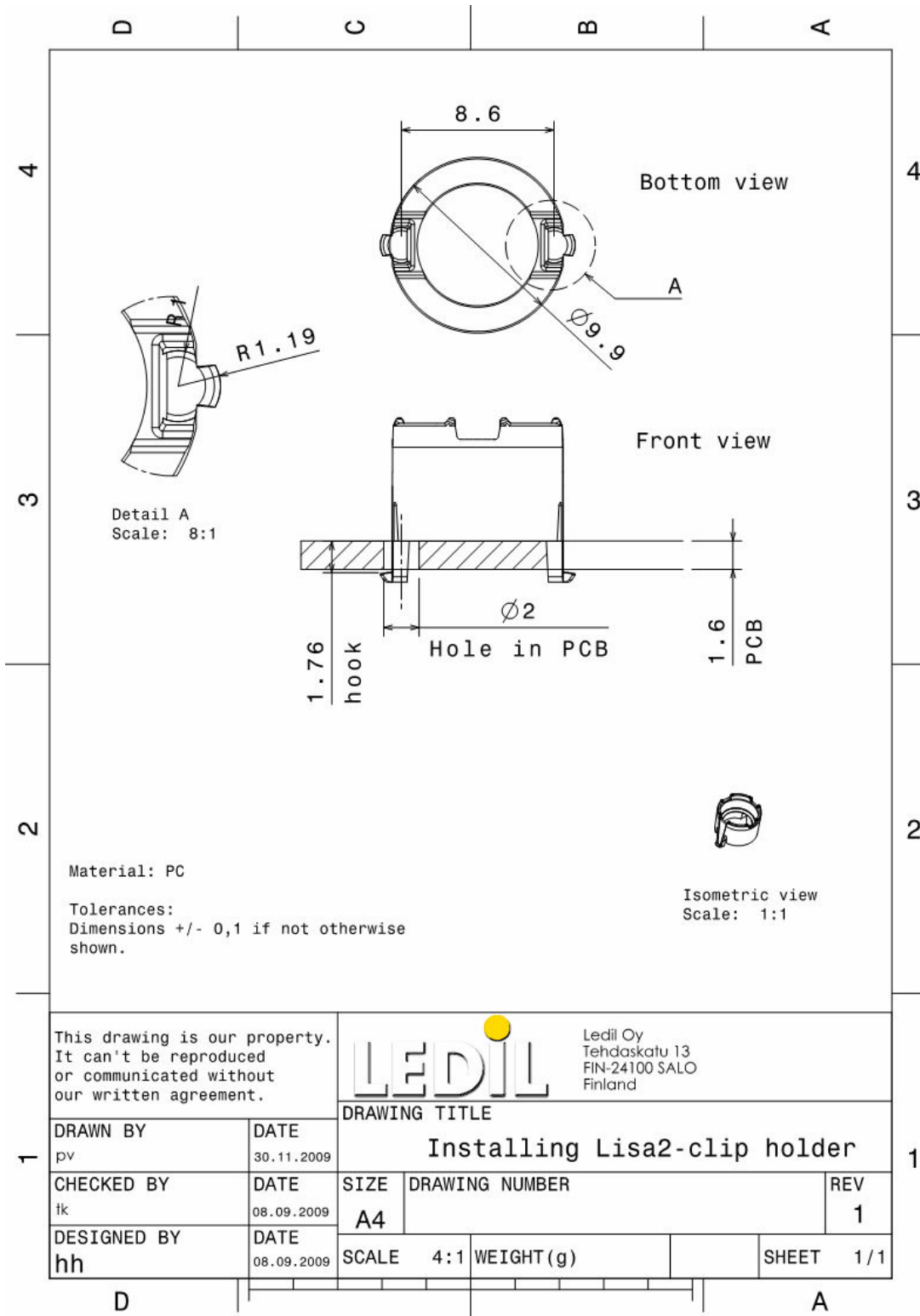


© Ledil Oy – PRELIMINARY - Subject to change without prior notice

Relative Intensity of FA10996_Lisa2-W-Pin-XP-G

© Ledil Oy – PRELIMINARY - Subject to change without prior notice

DRAWINGS



© Ledil Oy – PRELIMINARY - Subject to change without prior notice