

## LM1 LENSES FOR CREE MC-E LEDs



- Specially designed for Cree MC-E series of LEDs.
- Special care taken to make a uniform white or warm white illumination. Lenses work well with other colors, too.
- Lens material optical grade PMMA. Allows use of high current and temperature conditions
- Best available optical efficiency, more than 90%, with an extremely good cutoff of light
- Integrated holder. Fastening to heat sink with a PU foam adhesive tape of automotive grade

w

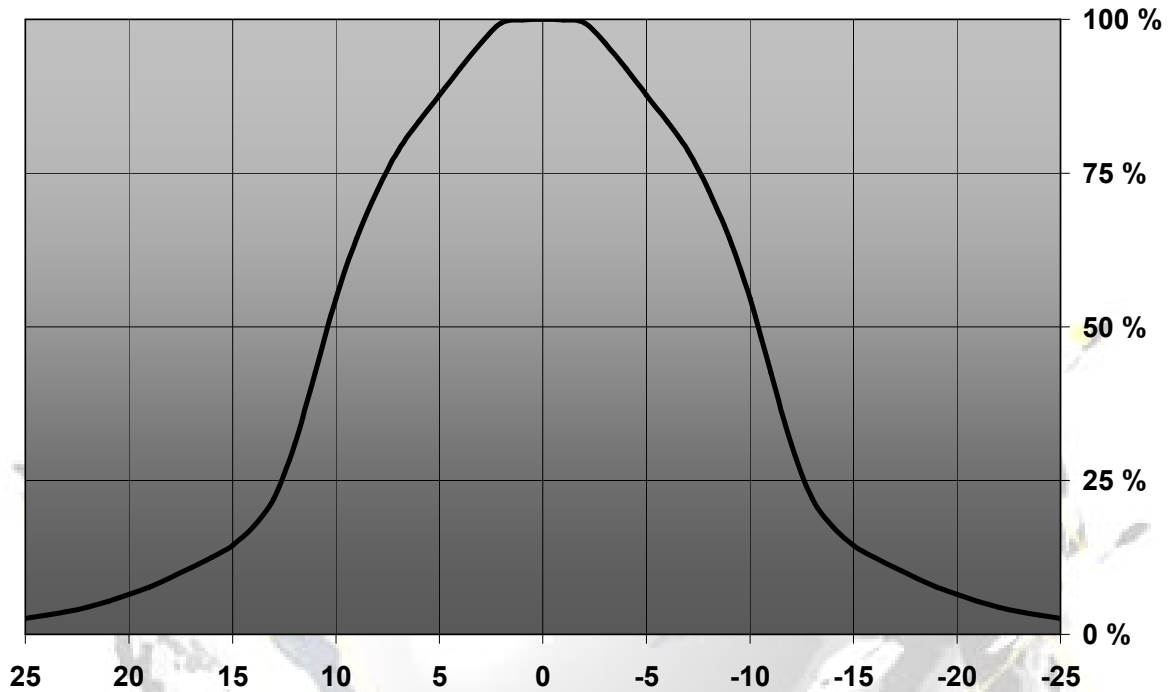
## LENS TYPES

NAME	ORDERING CODE	FWHM Angle
LM1 REAL SPOT	FA10613_LM1-RS	±10.5°
LM1 DIFFUSER	FA10650_LM1-D	±10°
LM1 MEDIUM	FA10614_LM1-M	±12°
LM1 OVAL	FA11067_LM1-O-90	coming soon
LM1 RECTANGULAR	FA10615_LM1-REC	±19° x ±12°

© Ledil Oy – PRELIMINARY - Subject to change without prior notice

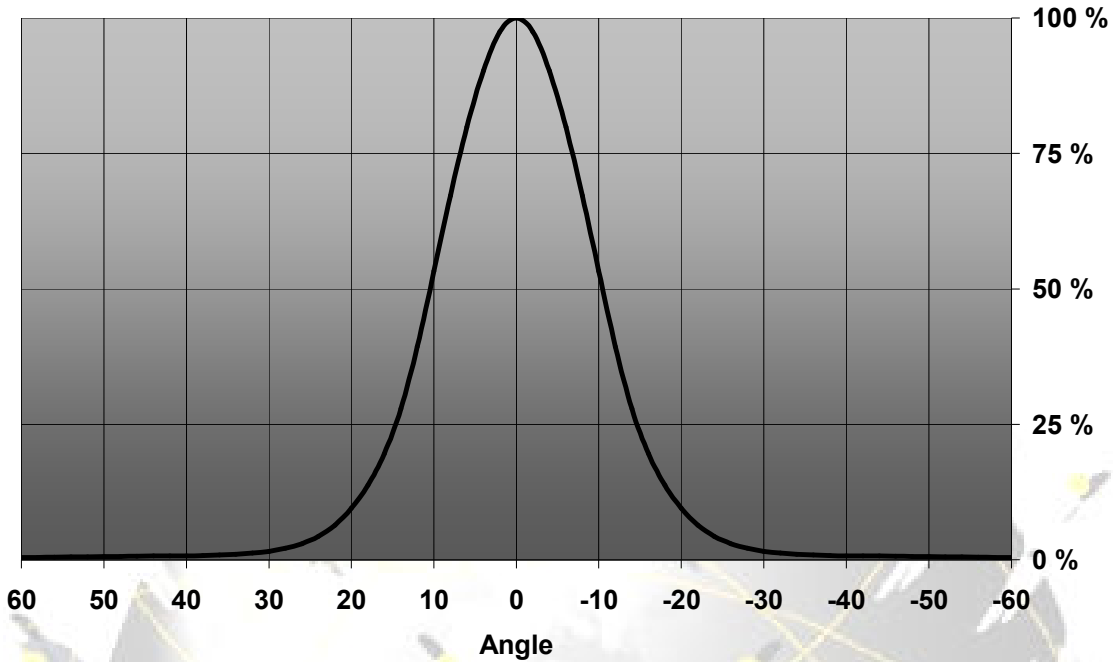
## MEASUREMENT DATA

Relative Intensity of FA10613\_LM1-RS

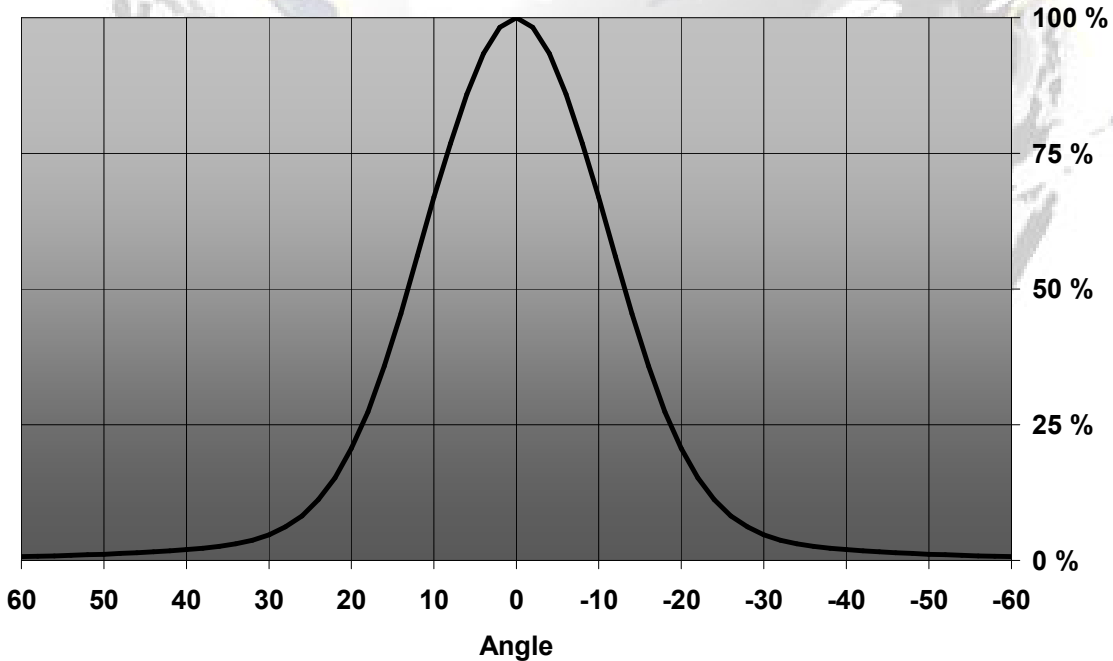


© Ledil Oy – PRELIMINARY - Subject to change without prior notice

Relative Intensity of LM1-D

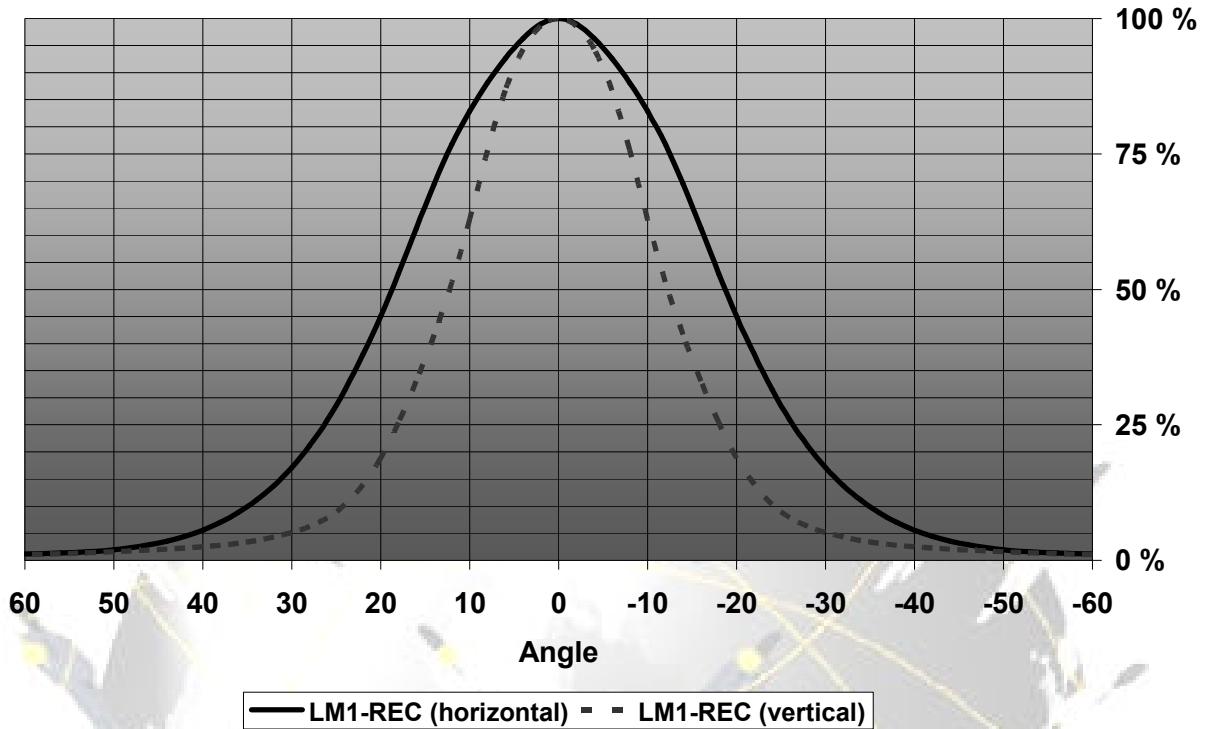


Relative Intensity of LM1-M



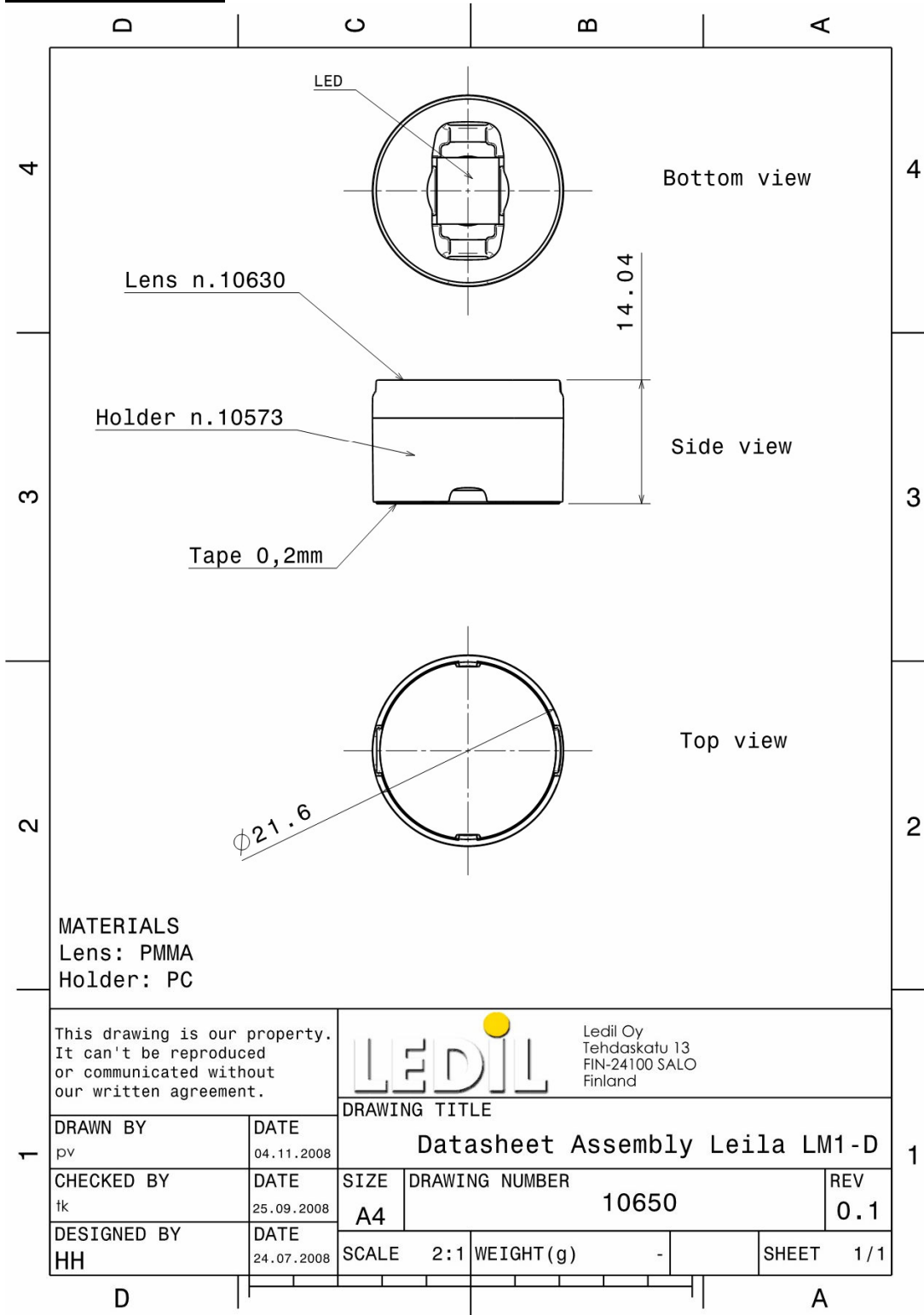
© Ledil Oy – PRELIMINARY - Subject to change without prior notice

## Relative Intensity of LM1-REC



EULUMDAT & IES FILES AVAILABLE BY REQUEST

## DRAWINGS



© Ledil Oy – PRELIMINARY - Subject to change without prior notice