

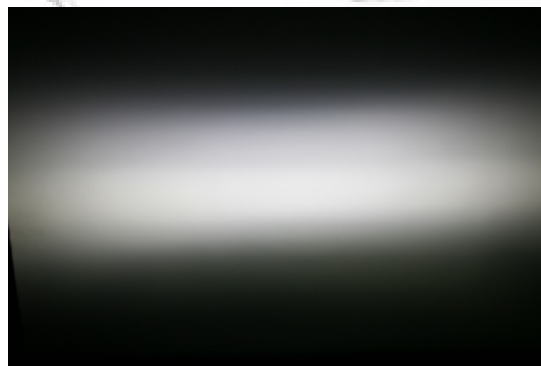
## Flare-B-XP-G lens for Cree XP-G series of LEDs



Flare-B-XP-G

- Lens designed for Cree's XP-G series of LEDs
- Lens material optical grade PMMA with high UV and temperature resistance (105°C/220°F). Allows use of high current and temperature conditions
- Best available optical efficiency
- Fastening to PCB & heat sink with 2 screws (C10946\_Flare-B-XP-G) or very easy assembly with TAPE
- LED can be assembled parallel or perpendicular to the x,y axis (to turn the light distribution by 90°)
- Compact dimensions 23 x 25 mm. Square form enables easy build of a line without any gaps between lenses.
- **Especially suitable for Beacon and other 360° solutions and in linear solutions with high evenness requirements**

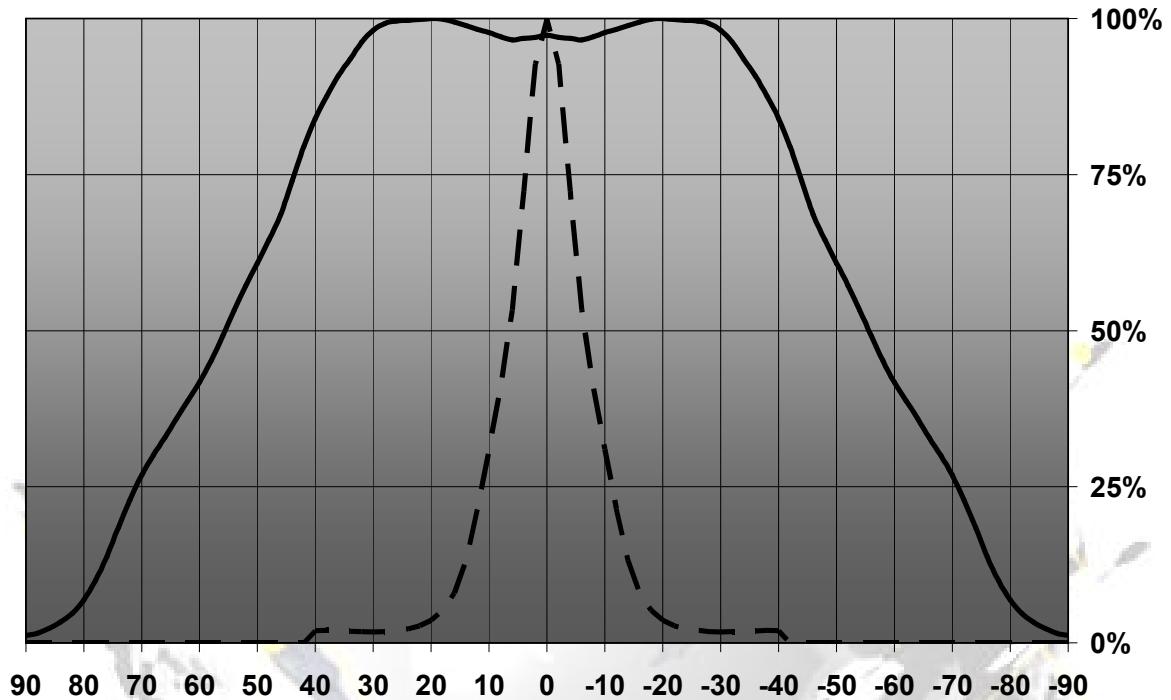
NAME	ORDERING CODE	FWHM Angle
Flare-B-XP-G LENS	C10946_Flare-B-XP-G	±7° x ±56°
Flare-B-XP-G LENS+ TAPE	CA10932_Flare-B-XP-G-tape	±7° x ±56°



© Ledil Oy - Subject to change without prior notice

**MEASUREMENTS**

Relative Intensity of C10946\_Flare-B-XP-G



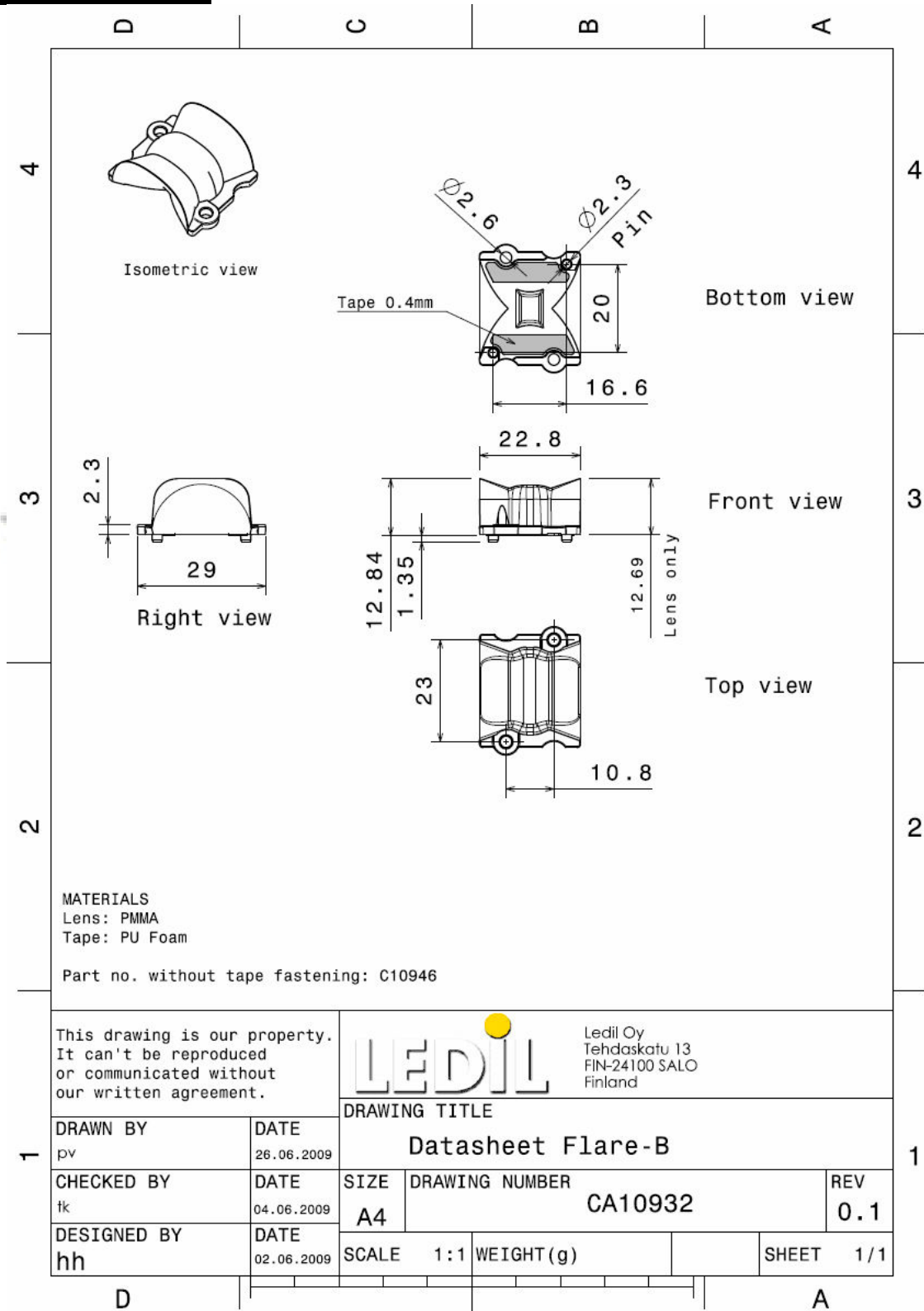
© Ledil Oy - Subject to change without prior notice

Ledil Oy  
Tehdaskatu 13  
FIN-24100 SALO, Finland

[www.ledil.com](http://www.ledil.com)  
email: [ledil@ledil.com](mailto:ledil@ledil.com)  
FAX: +358-2-733 8001

2009-11-28

## DRAWINGS



© Ledil Oy - Subject to change without prior notice