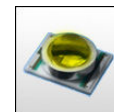


## Cute-4 MR11 lenses for CREE XR-E LEDs



- Specially designed for Cree XLAMP XR-E series of LEDs.
- Special care taken to make a uniform white or warm white illumination. Lenses work well with other colors, too.
- Lens material optical grade PMMA. Allows use of high current and temperature conditions
- Best available optical efficiency, up to 90%.

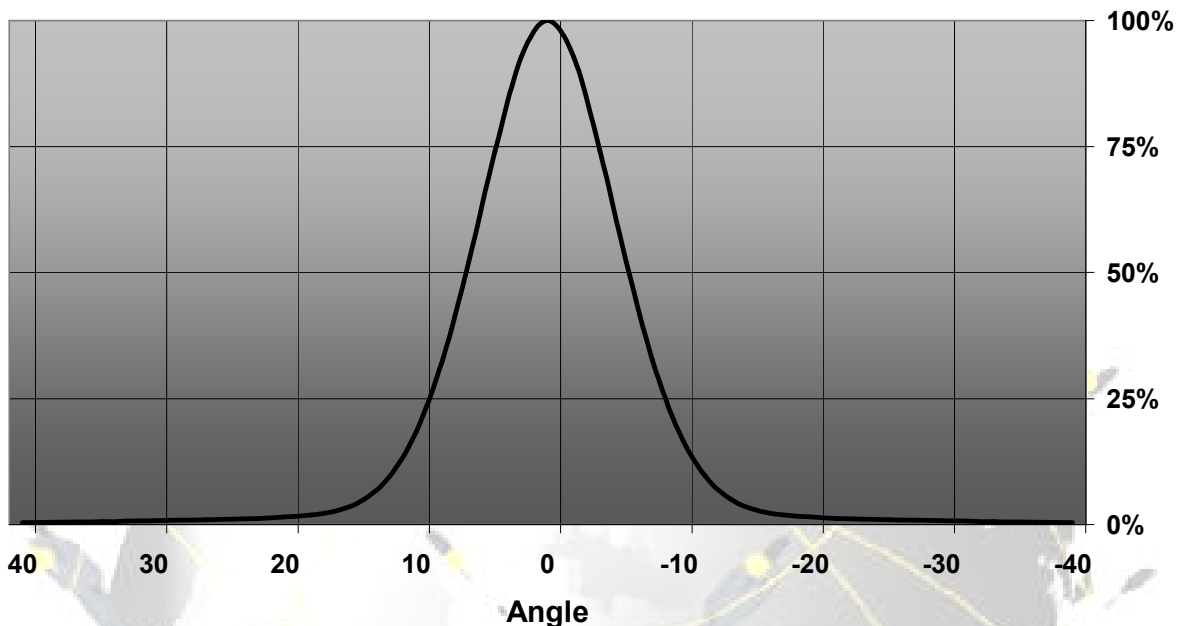
### LENS TYPES

NAME	ORDERING CODE	FWHM
Cute-4 Smooth Spot	C10446_Cute-4-SS	±4.5°
Cute-4 Medium	C10447_Cute-4-M	±8.5°

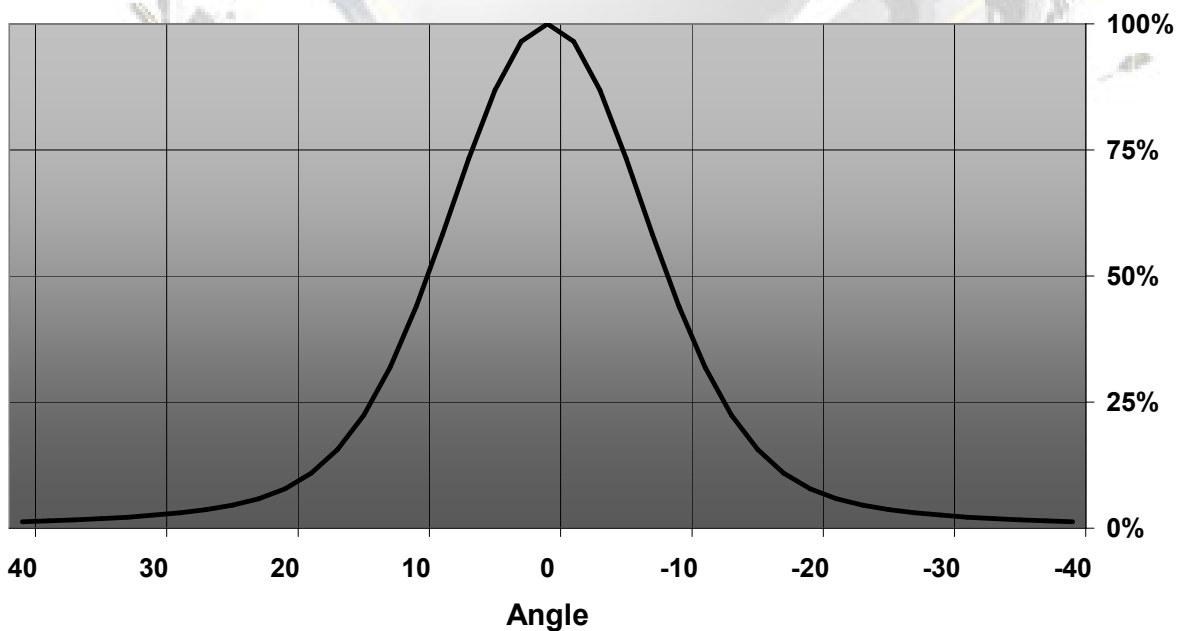
© Ledil Oy – PRELIMINARY - Subject to change without prior notice

## MEASUREMENT DATA

Relative Intensity of 10446\_Cute-4-SS



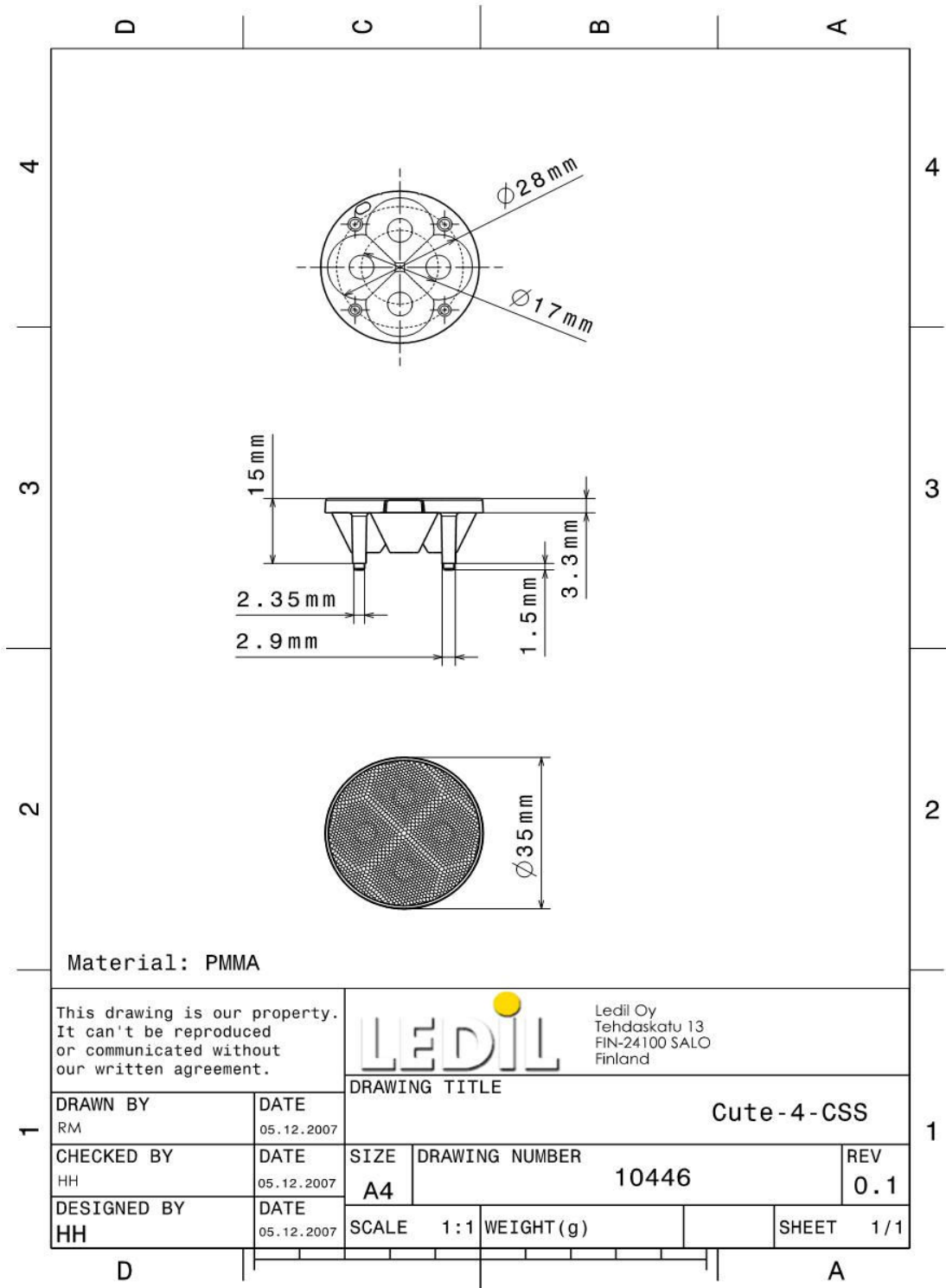
Relative Intensity of 10447\_Cute-4-M



EULUMDAT & IES FILES AVAILABLE BY REQUEST

© Ledil Oy – PRELIMINARY - Subject to change without prior notice

## DRAWINGS



© Ledil Oy – PRELIMINARY - Subject to change without prior notice