

## Cute-4-MX6 LENSES FOR CREE MX-6 LEDs

[www.cree.com](http://www.cree.com)



- Specially designed for Cree MX6 aseries of LEDs
- Special care taken to make a uniform white or warm white illumination. Lenses work well with other colors, too.
- Lens material optical grade PMMA. Allows use of high current and temperature conditions
- No lens holder. Fastening to heat sink with droplets of glue.  
Diameter 35 mm (MR11)

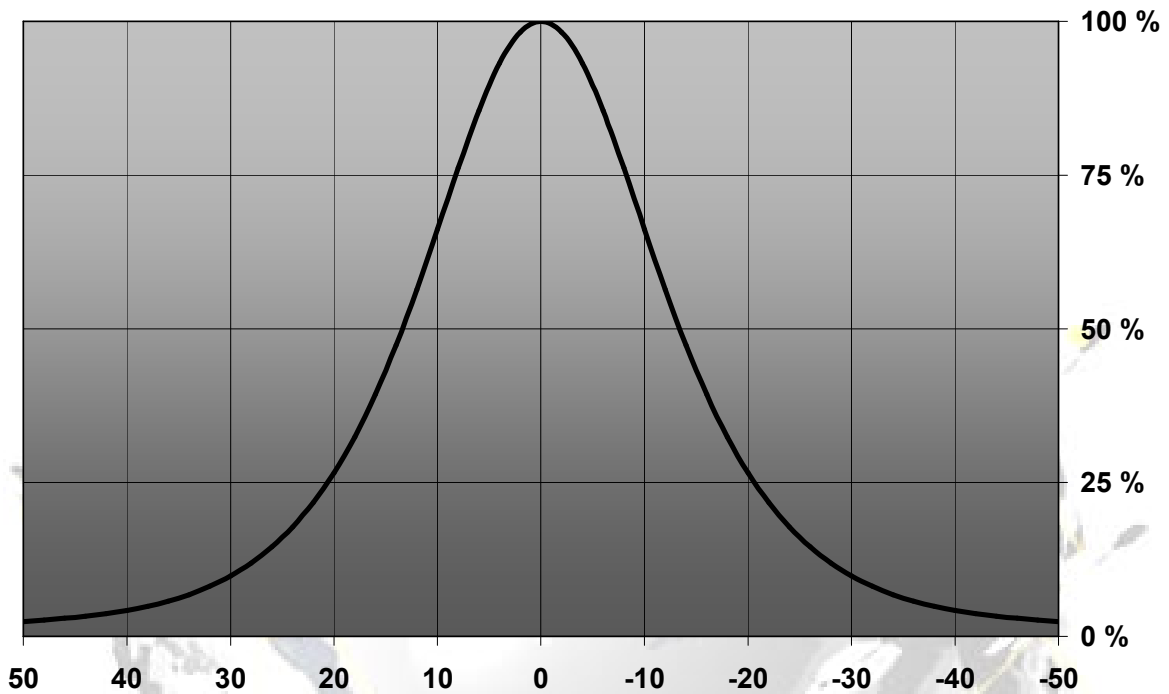
### LENS TYPES

NAME	ORDERING CODE	FWHM Angle
Cute-4-MX6 Medium	C10812_Cute-4-MX6-M	±13°
Cute-4-MX6 Wide	C10813_Cute-4-MX6-W	±19°

© Ledil Oy – PRELIMINARY - Subject to change without prior notice

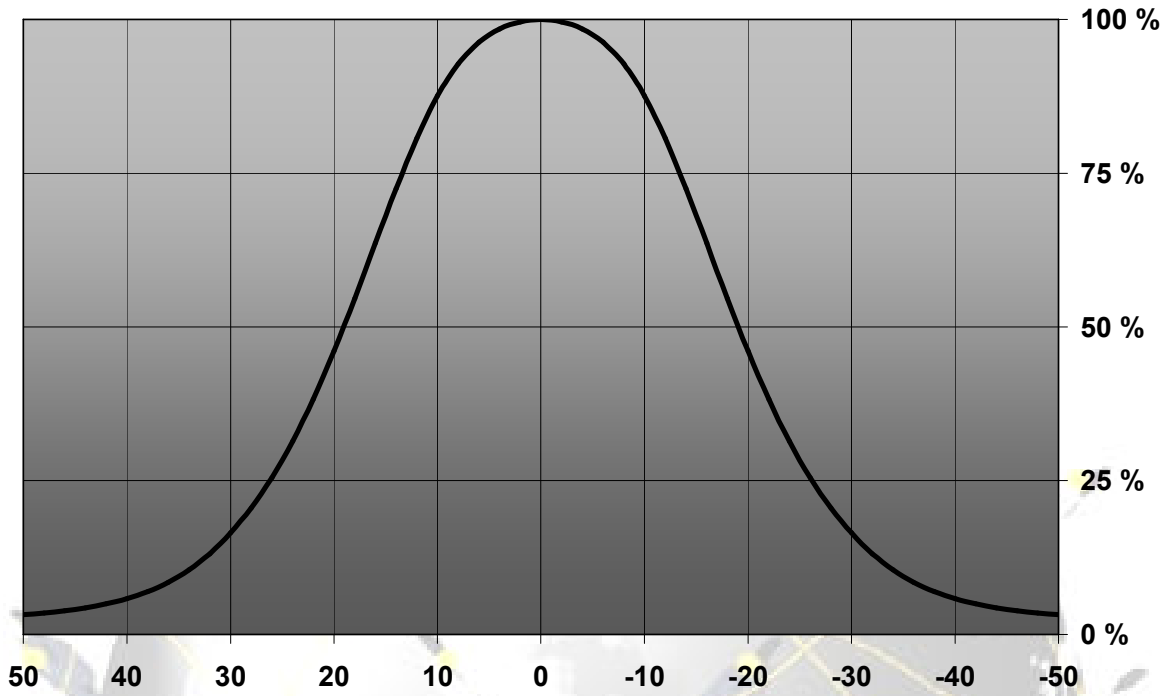
## MEASUREMENT DATA

Relative Intensity of C10812\_Cute-4-MX6-M



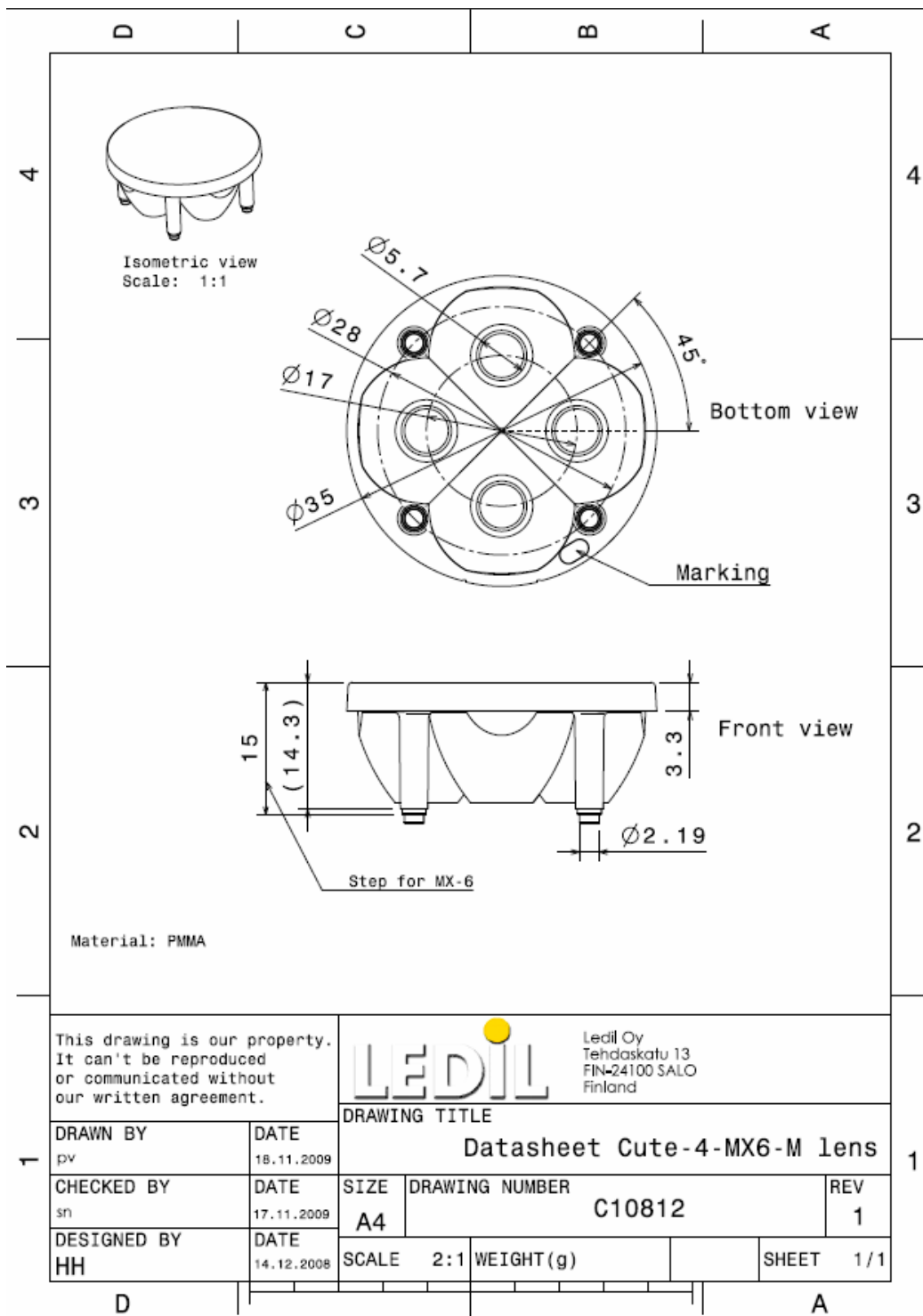
© Ledil Oy – PRELIMINARY - Subject to change without prior notice

Relative Intensity of C10813\_Cute-4-MX6-W



© Ledil Oy – PRELIMINARY - Subject to change without prior notice

## DRAWINGS



© Ledil Oy – PRELIMINARY - Subject to change without prior notice