

Cindy-L251 reflector for Citizen CL-L251 LEDs



CITIZEN
Micro HumanTech

<http://ce.citizen.co.jp/e/>



- Specially designed for Citizen CL-L251 series of LEDs.
- Special care taken to make a uniform white or warm white illumination. Lenses work well with other colors, too.
- Lens material optical grade metallized PC. Allows use of high current and temperature conditions (130°C/266°F)
- Best available optical efficiency, up to 90%.

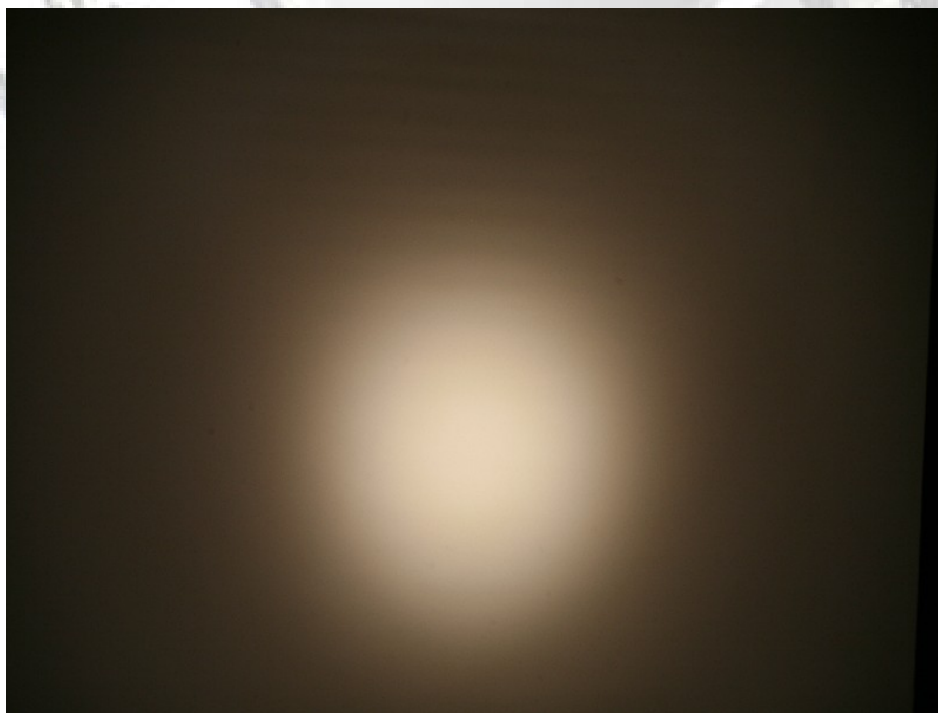
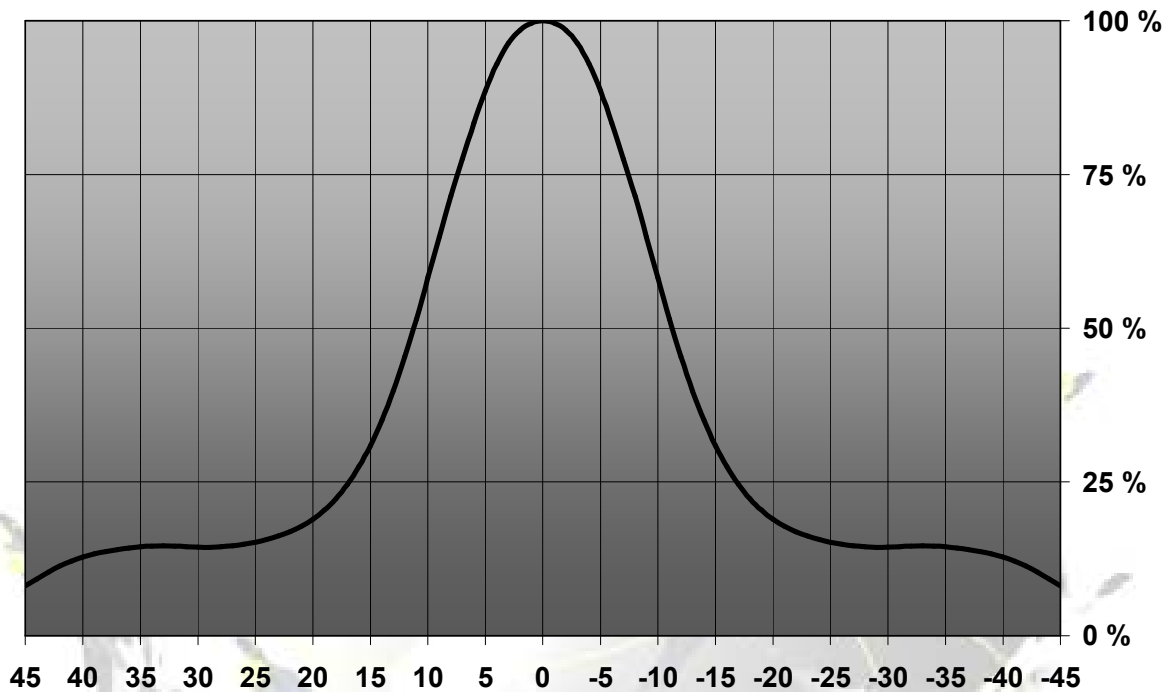
LENS TYPES

NAME	ORDERING CODE	FWHM Angle
Cindy-L251 Spot	C10859_Cindy-L251-S	±11°
Cindy-L251 Medium	C10980_Cindy-L251-M	±16.5°
Cindy-L251 Wide	C10981_Cindy-L251-W	±28°

© Ledil Oy – PRELIMINARY - Subject to change without prior notice

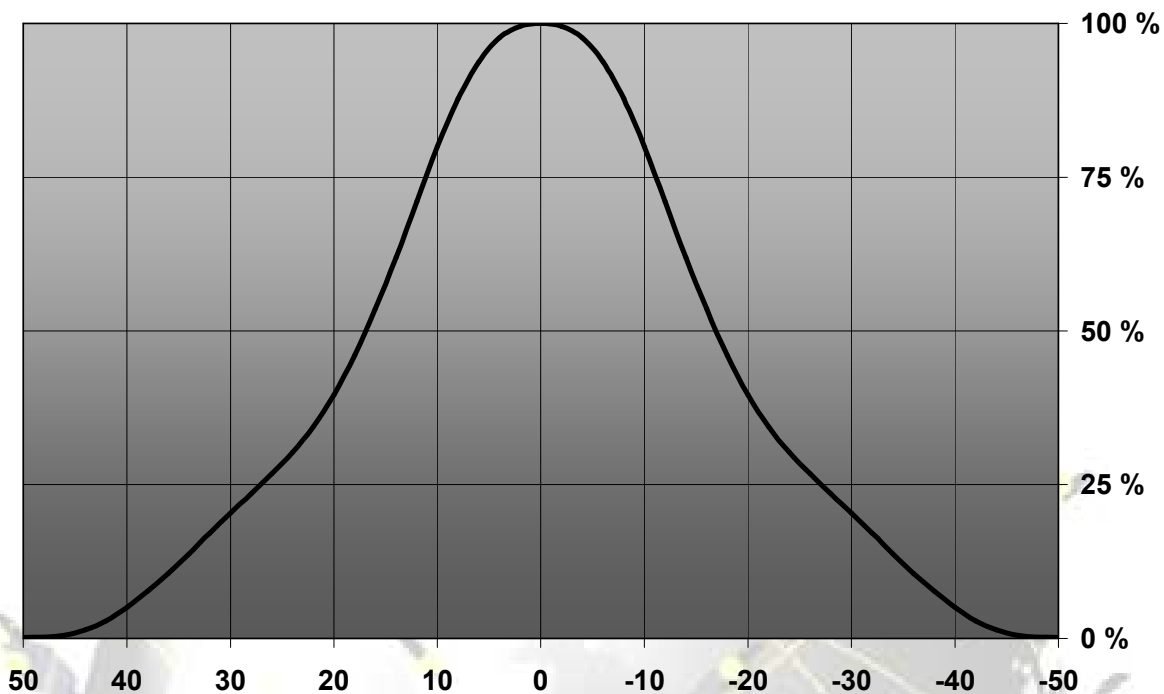
MEASUREMENT DATA

Relative Intensity of C10859_Cindy-L251-S



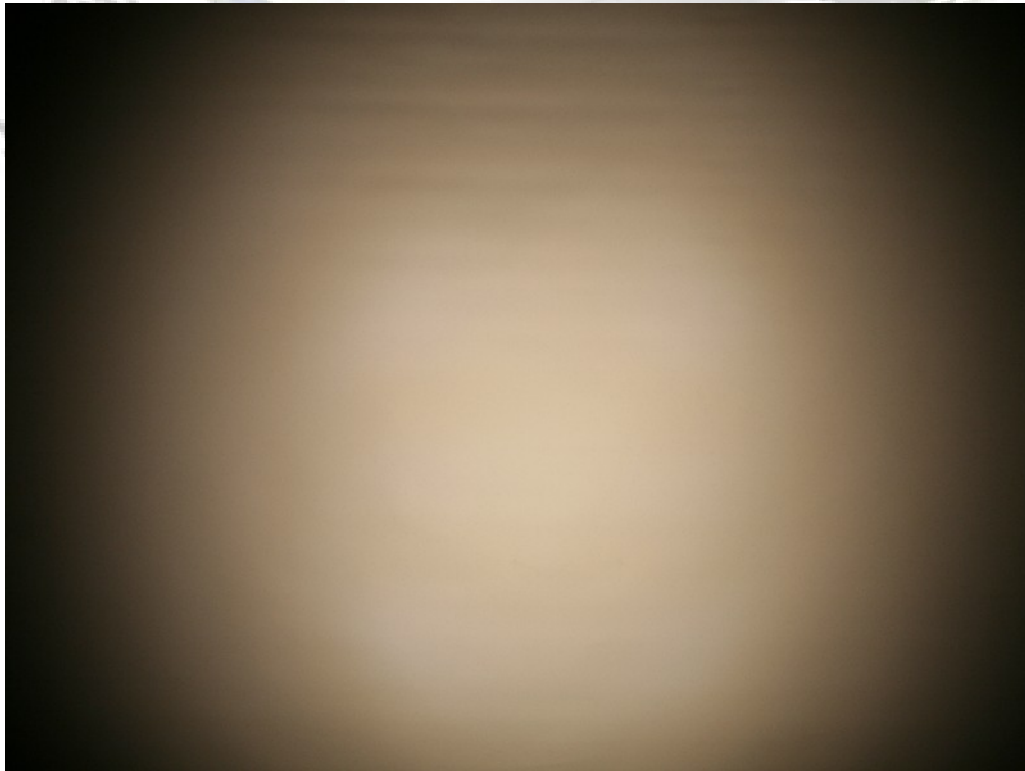
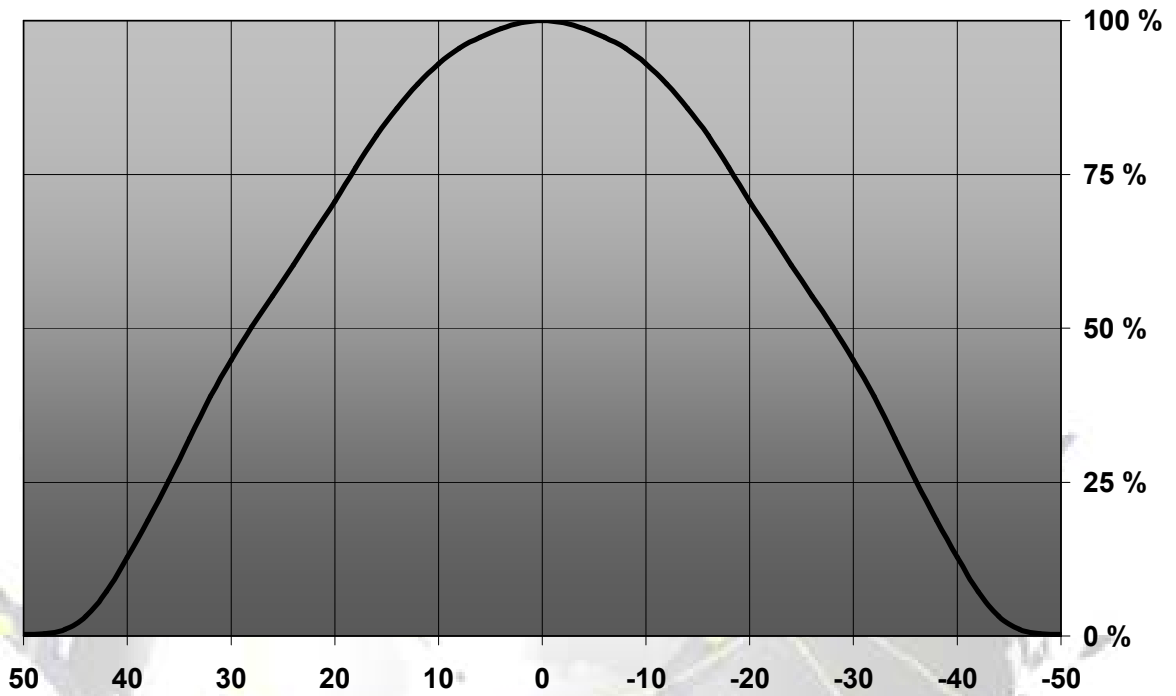
© Ledil Oy – PRELIMINARY - Subject to change without prior notice

Relative Intensity of C10980_Cindy-L251-M



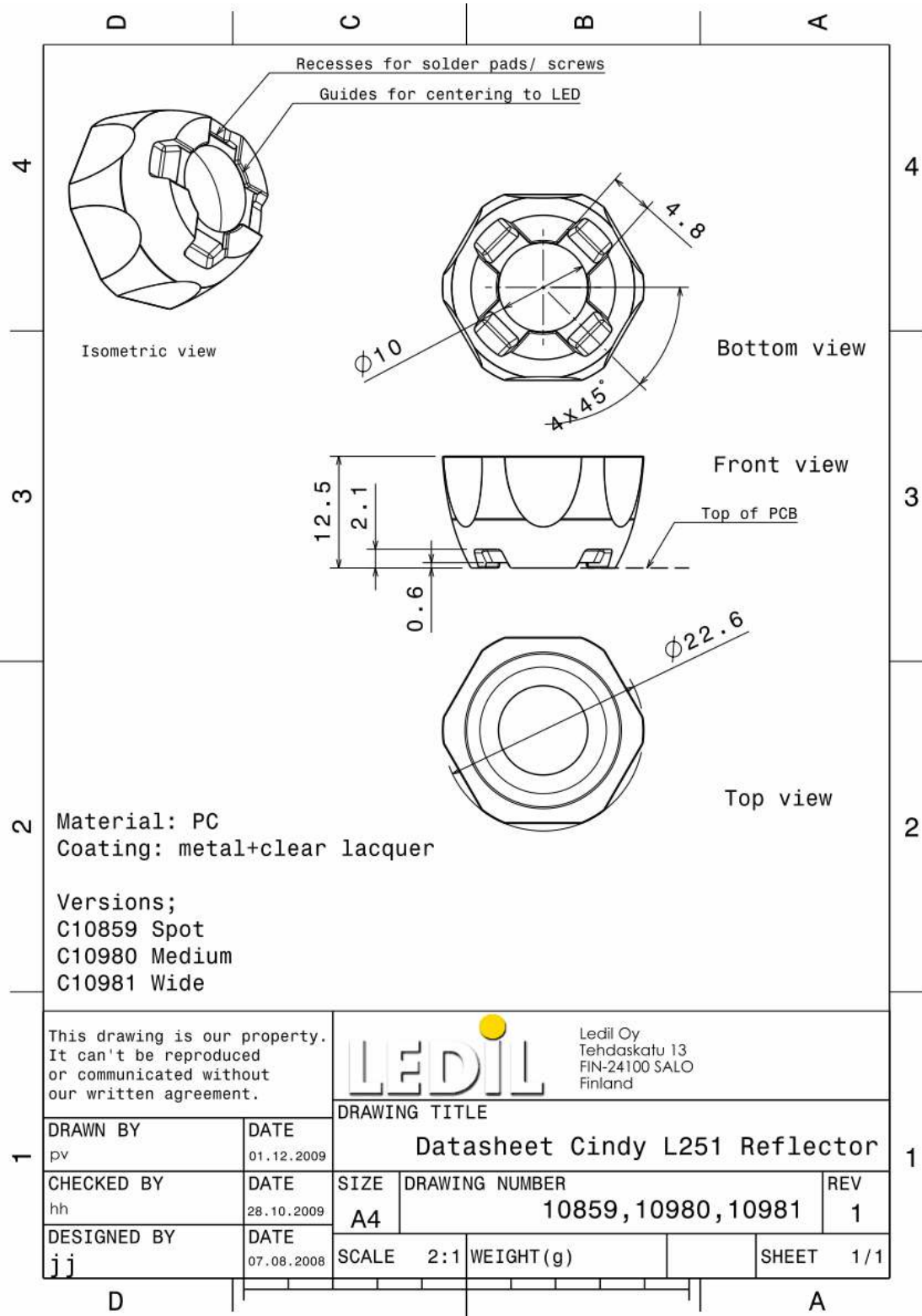
© Ledil Oy – PRELIMINARY - Subject to change without prior notice

Relative Intensity of C10981_Cindy-L251-W



© Ledil Oy – PRELIMINARY - Subject to change without prior notice

DRAWINGS



© Ledil Oy - PRELIMINARY - Subject to change without prior notice